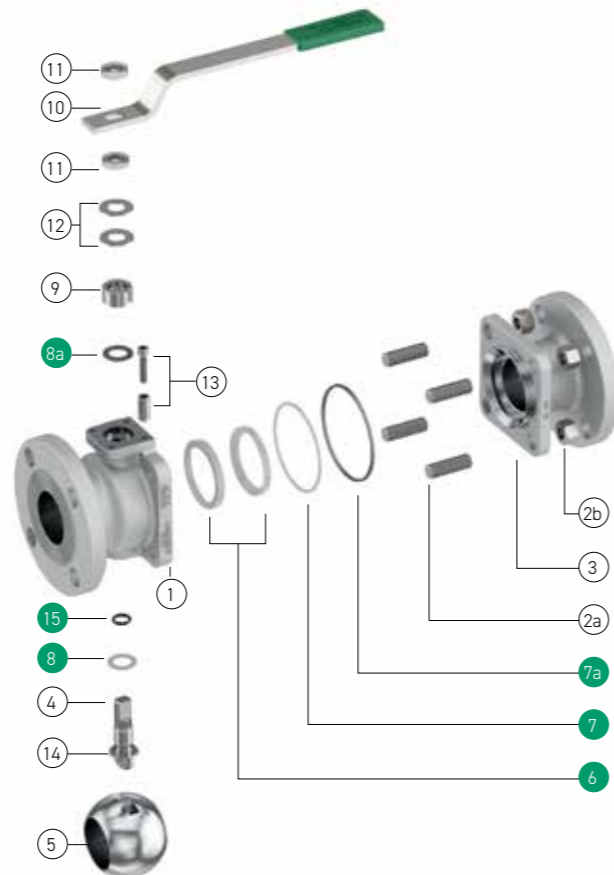




A64 ANSI150 flanged type ball valve, full bore

INVESTMENT CASTING BODY
CORPO DA FUSIONE

PART NAME PARTICOLARE	Q.TY Q.TA'	MATERIALS MATERIALI	
1 body corpo	1	ASTM A216 WCB	ASTM A351 CF8M
2a stud tirante	4/8	ASTM A193 B7	ASTM A193 B8M
2b nut dado	4/8	ASTM A194 2H	ASTM A194 B8
3 closure chiusura	1	ASTM A216 WCB	ASTM A351 CF8M
4 stem stelo	1	ASTM A479 F6a (AISI 410)	ASTM A182 316/316L
5 ball sfera	1	ASTM A351 CF8	ASTM A351 CF8M
6 seats sedi	2	TFM (PTFE + A.M. : DM = 200)	
7 1 st body gasket guarnizione corpo int.	1	P.T.F.E. (DN < 80)	
7a 2 nd body gasket guarnizione corpo est.	1	GRAPHOIL	
8 washer bussola	1	P.T.F.E.	
8a stem gasket guarnizione stelo	1	GRAPHOIL	
9 gland preguarnizione	1	Carbon Steel Zinc Coated	Stainless Steel 316
10 lever leva	1	Carbon Steel Zinc Coated	
11 stem nut dado stelo	2	Cl. 8	A4-40 (AISI 316)
12 spring washer molla a tazza	2	51CrV4 Zinc Coated	AISI 316
13 stop device dispositivo di arresto	1	Cl. 8.8 Zinc Coated	AISI 316
14 antistatic device dispositivo antistatico	2	AISI 316	
15 stem O-ring O-ring stelo	1	VITON 75 Sh. A	
16 body O-ring O-ring corpo	1	P.T.F.E. (DN > 100)	



Spares parts / Parti di ricambio

STANDARD FEATURES CARATTERISTICHE STANDARD

Flange Facing RF according to / Finitura Flange RF secondo : ASME B16.5, ANSI 150
Flange drilling, smooth holes according / Foratura flange, fori lisci secondo : ASME B16.5, ANSI 150
Face to face / Scartamento : ASME B16.10, ANSI 150
Design according to / Progettazione secondo : ASME B16.34, EN 12516-1, PED 2014/68/UE
Fire Safe Design and Construction according to / Costruzione e assemblaggio Fire Safe secondo : EN ISO 10497, API 6FA, API 607
Antistatic Device according to / Dispositivo antistatico secondo : BS 5146
Tightness class / Classe di tenuta VI (FCI 70-2 - ANSI B 16.104)
Stem sealing with O-ring, Anti Blow-out stem / Tenuta stelo con O-Ring, stelo anti-espulsione
Actuator coupling flange according to / Flangia integrata per montaggio comando secondo : ISO 5211

A64 ANSI 150 CARBON STEEL BODY / CORPO ACCIAIO AL CARBONIO

DN	VALVE RATING	VALVE CODE	DESCRIPTION	VALVE PRICE (€)	KIT CODE	KIT PRICE (€)
25	ANSI 150	A6425A1C1-0001-M0010	ALFA64 DN25 ANSI150 WCB FS RF		KGA6425A1-001	
50	ANSI 150	A6450A1C1-0001-M0010	ALFA64 DN50 ANSI150 WCB FS RF		KGA6450A1-001	
80	ANSI 150	A6480A1C1-0001-M0010	ALFA64 DN80 ANSI150 WCB FS RF		KGA6480A1-001	
100	ANSI 150	A64A0A1C1-0001-M0010	ALFA64 DN100 ANSI150 WCB FS RF		KGA64A0A1-002	
150	ANSI 150	A64A5A1C1-0001-M0010	ALFA64 DN150 ANSI150 WCB FS RF		KGA64A5A1-001	
200	ANSI 150	A64B0A1C1-0001-K0010	ALFA64 DN200 ANSI150 WCB FS RF		KGA64B0A1-001	

WCB

(*) BARE STEM VALVE- VALVOLA A STELO NUDO

A64 ANSI 150 STAINLESS STEEL BODY / CORPO ACCIAIO INOSSIDABILE

DN	VALVE RATING	VALVE CODE	DESCRIPTION	VALVE PRICE (€)	KIT CODE	KIT PRICE (€)
15	ANSI 150	A6415A1S2-0001-M0000	ALFA64 DN15 ANSI150 CF8M FS RF		KGA6415A1-001	
20	ANSI 150	A6420A1S2-0001-M0000	ALFA64 DN20 ANSI150 CF8M FS RF		KGA6420A1-001	
25	ANSI 150	A6425A1S2-0001-M0000	ALFA64DN25 ANSI150 CF8M FS RF		KGA6425A1-001	
40	ANSI 150	A6440A1S2-0001-M0000	ALFA64 DN40 ANSI150 CF8M FS RF		KGA6440A1-001	
50	ANSI 150	A6450A1S2-0001-M0000	ALFA64 DN50 ANSI150 CF8M FS RF		KGA6450A1-001	
80	ANSI 150	A6480A1S2-0001-M0000	ALFA64 DN80 ANSI150 CF8M FS RF		KGA6480A1-001	
100	ANSI 150	A64A0A1S2-0001-M0000	ALFA64 DN100 ANSI150 CF8M FS RF		KGA64A0A1-002	
150	ANSI 150	A64A5A1S2-0001-M0000	ALFA64 DN150 ANSI150 CF8M FS RF		KGA64A5A1-001	
200	ANSI 150	A64B0A1S2-0001-K0000	ALFA64 DN200 ANSI150 CF8M FS RF		KGA64B0A1-001	

CF8M

(*) BARE STEM VALVE- VALVOLA A STELO NUDO



All other codes are related to product ready for assembly; delivery time within 5 weeks based on ordered quantity. Missing Sizes and Special Executions are available upon request. Please contact Sales Dept. for availability and delivery time

Gli altri codici indicano prodotti disponibili per assemblaggio; consegna entro 5 settimane secondo quantità ordinate. Dimensioni mancanti ed esecuzioni speciali sono disponibili su richiesta. Si prega contattare Ufficio commerciale per disponibilità e consegne

Oslo ☎ 22 21 51 00 | Bergen ☎ 55 39 32 00 | Arendal ☎ 37 06 11 40

✉ post@jsc.no | 🏠 www.jsc.no

