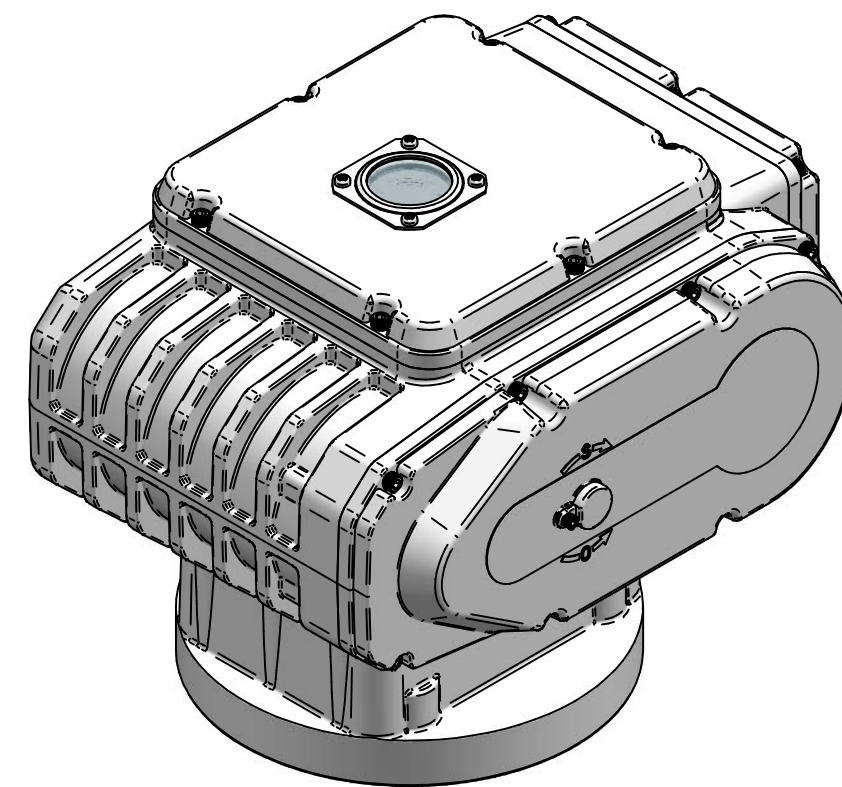
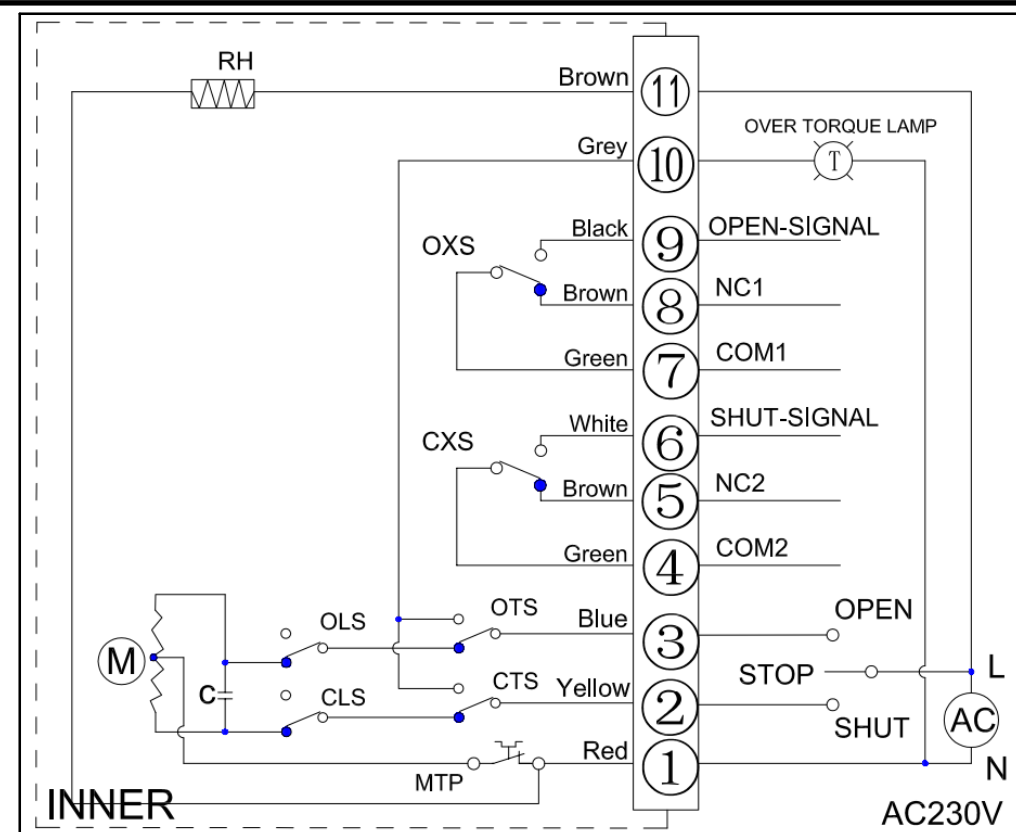
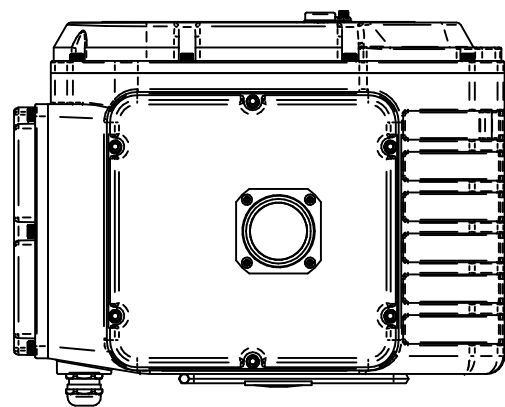
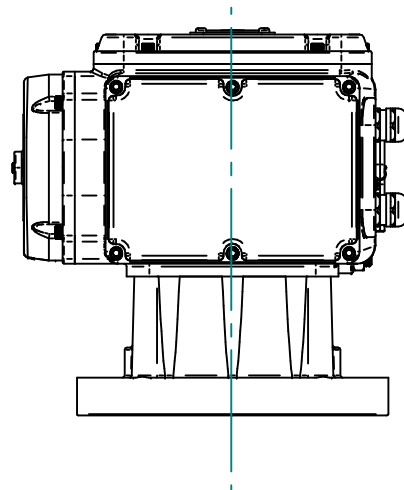
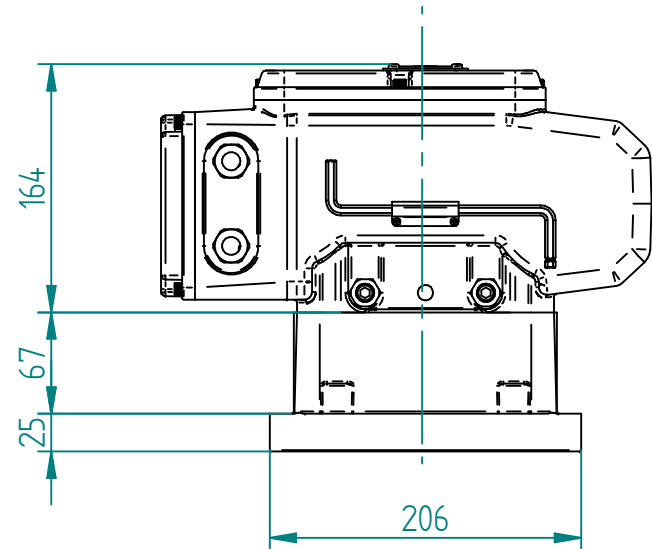


DETAIL A



TITLE On/off EL Act. 300B1DHTS, Aluminun body, IP67, heater, SPDT, Limit switch, \diamond 36x61-F16,230VAC, 60S, 3000NM

	NAME	DATE	SIZE	DWG NO
DRAWN	EMLA	15.06.2023	A3	NUTNTE-S230-300-3000
CHECKED	ORLA	31.07.2023	FILE NAME: NUTNTE-S230-300-3000.dft	
ENG APPR	TOCO	dd.mm.yyyy	SCALE: 1:3,33	REV: 00
MGR APPR	TOCO	dd.mm.yyyy	WEIGHT:	SHEET: 1 OF 1

UNLESS OTHERWISE SPECIFIED DIMENSIONS ARE IN MILLIMETERS AND TOLERANCES ARE +/-0,5

00	ISSUED	31.07.2023	ORLA
REV	DESCRIPTION	DATE	APPROVED
REVISION HISTORY			