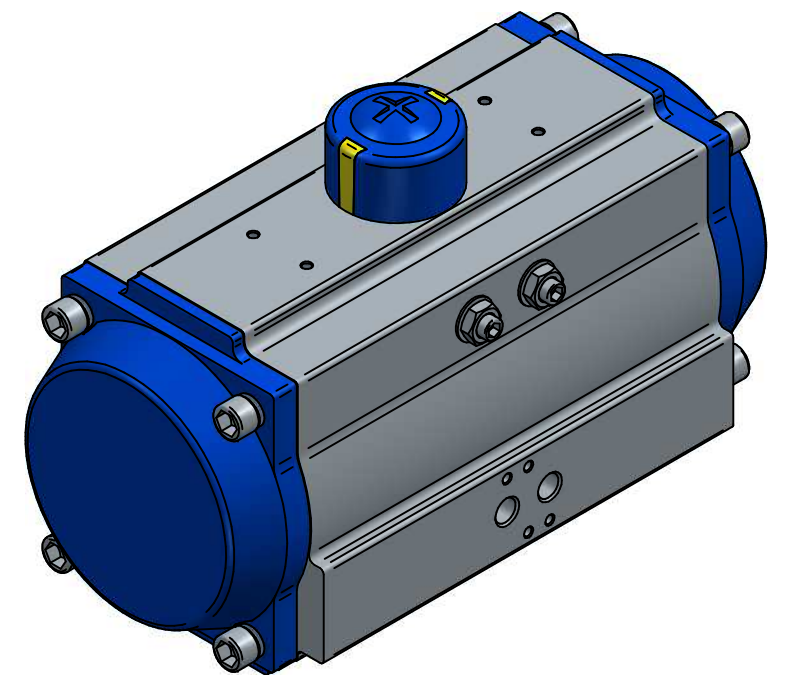


DETAIL A
1:1



TITLE PNEUMATIC ACTUATOR SINGLE ACTING. 176NM @6BAR ALUMINIUM BODY & PISTON, ◊22X28-F07/F10		NAME	DATE	SIZE	DWG NO	UNLESS OTHERWISE SPECIFIED DIMENSIONS ARE IN MILLIMETERS AND TOLERANCES ARE +/-0,5
	DRAWN	HESG	12.11.2020	A3	NUTNKS-125-12.pdf	
	CHECKED	ORLA	dd.mm.yyyy	FILE NAME: NUTNKD-125.dft		
	ENG APPR	TOCO	dd.mm.yyyy	SCALE: 1:3	REV:	
	MGR APPR	TOCO	dd.mm.yyyy	WEIGHT:	SHEET: 1 OF 1	

REV	DESCRIPTION	DATE	APPROVED
REVISION HISTORY			