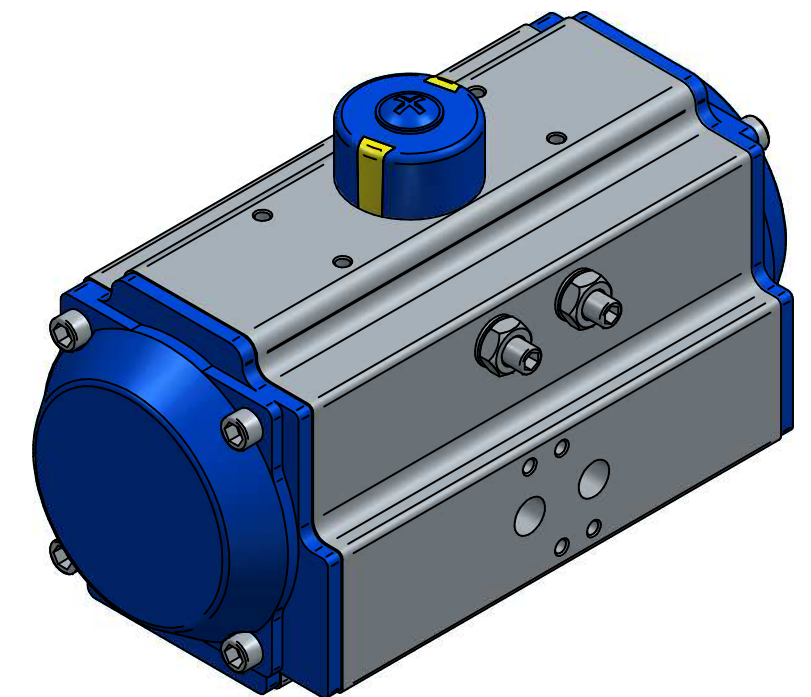


DETAIL A
1,5:1



TITLE PNEUMATIC ACTUATOR SINGLE ACTING,
56NM@6BARALUMINIUM BODY & PISTON,
◇17X23-F05/F07

| | | | | |
|----------|------|------------|---------------------------|-------------------|
| | NAME | DATE | SIZE | DWG NO |
| DRAWN | HESG | 11.11.2020 | A3 | NUTNKS-083-12.pdf |
| CHECKED | ORLA | dd.mm.yyyy | FILE NAME: NUTNKD-083.dft | |
| ENG APPR | TOCO | dd.mm.yyyy | SCALE: 1:2 | REV: |
| MGR APPR | TOCO | dd.mm.yyyy | WEIGHT: | SHEET: 1 OF 1 |

UNLESS OTHERWISE SPECIFIED DIMENSIONS ARE IN MILLIMETERS AND TOLERANCES ARE +/-0,5

| REV | DESCRIPTION | DATE | APPROVED |
|------------------|-------------|------|----------|
| REVISION HISTORY | | | |