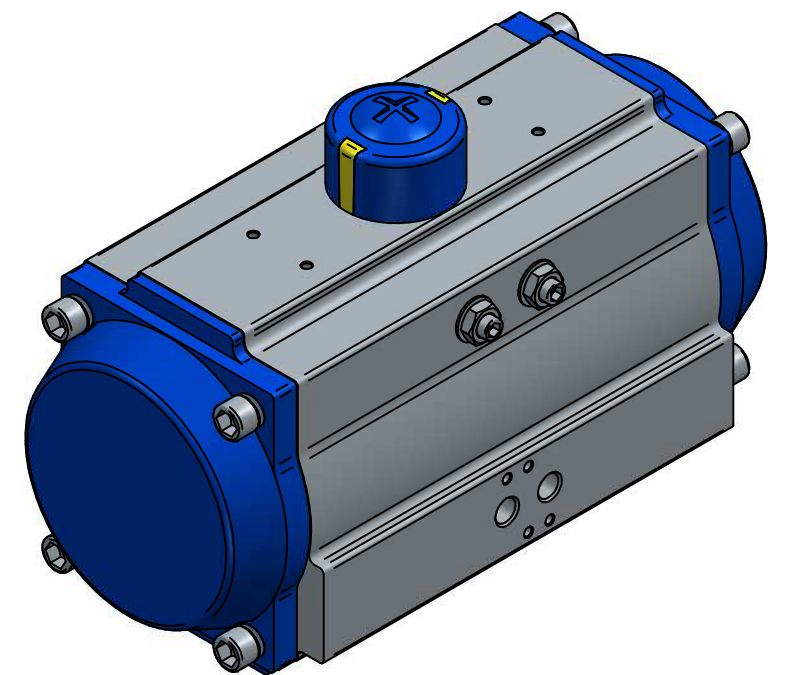


DETAIL A
1:1



TITLE	PNEUMATIC ACTUATOR DOUBLE ACTING, 351NM@7BAR ALUMINIUM BODY&PISTON, ◇22X28-F07/F10	NAME	DATE	SIZE	DWG NO	
		DRAWN	HESG	12.11.2020	A3 NUTNKD-125.pdf	
		CHECKED	ORLA	dd.mm.yyyy	FILE NAME: NUTNKD-125.dft	
		ENG APPR	TOCO	dd.mm.yyyy	SCALE: 1:3	REV:
		MGR APPR	TOCO	dd.mm.yyyy	WEIGHT:	SHEET: 1 OF 1

UNLESS OTHERWISE SPECIFIED DIMENSIONS ARE IN MILLIMETERS AND TOLERANCES ARE +/-0,5

REV	DESCRIPTION	DATE	APPROVED
REVISION HISTORY			