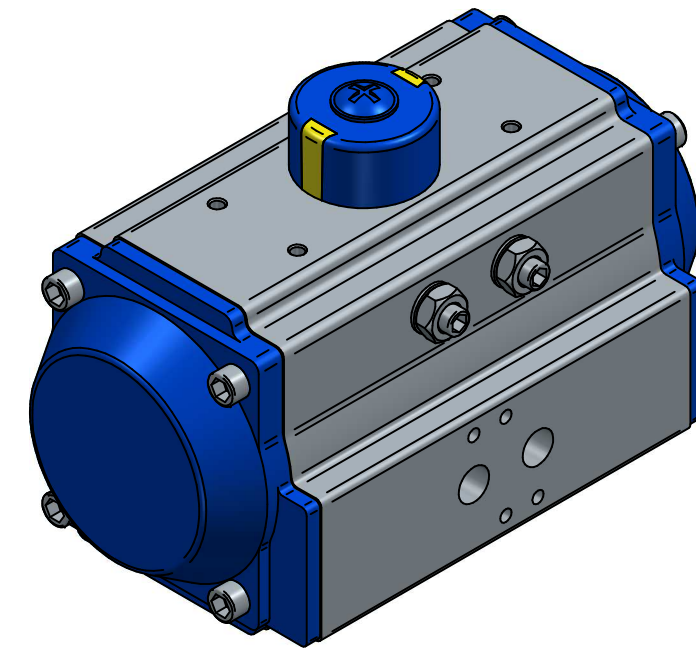


DETAIL A
1,5:1



TITLE PNEUMATIC ACTUATOR DOUBLE ACTING,
70NM@7BARALUMINIUM BODY & PISTON,
◇14X17-F05/F07

	NAME	DATE	SIZE	DWG NO
DRAWN	HESG	11.11.2020	A3	NUTNKD-075
CHECKED	ORLA	dd.mm.yyyy	FILE NAME: NUTNKD-075.dft	
ENG APPR	TOCO	dd.mm.yyyy	SCALE: 1:2	REV:
MGR APPR	TOCO	dd.mm.yyyy	WEIGHT:	SHEET: 1 OF 1

UNLESS OTHERWISE SPECIFIED DIMENSIONS ARE IN MILLIMETERS AND TOLERANCES ARE +/-0,5

REV	DESCRIPTION	DATE	APPROVED
REVISION HISTORY			