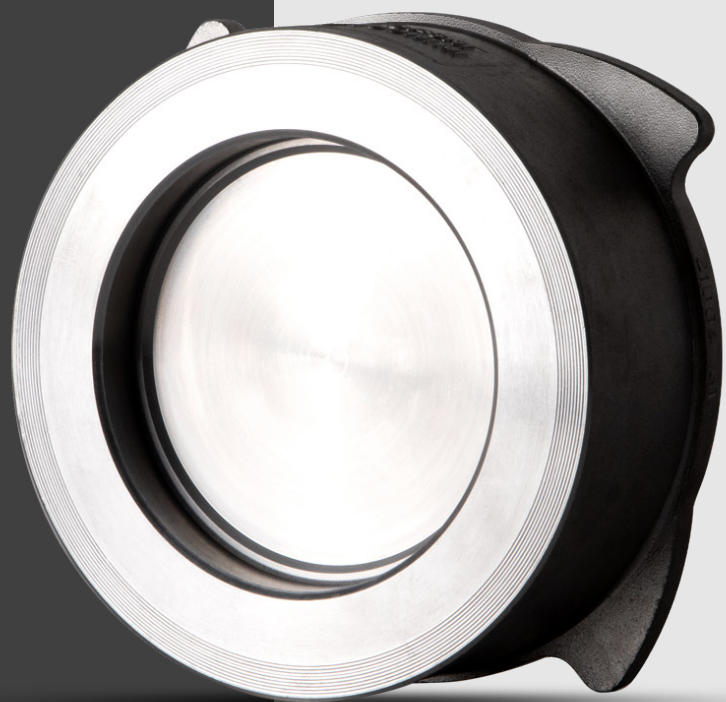




SERIES DCEL DISC VALVE

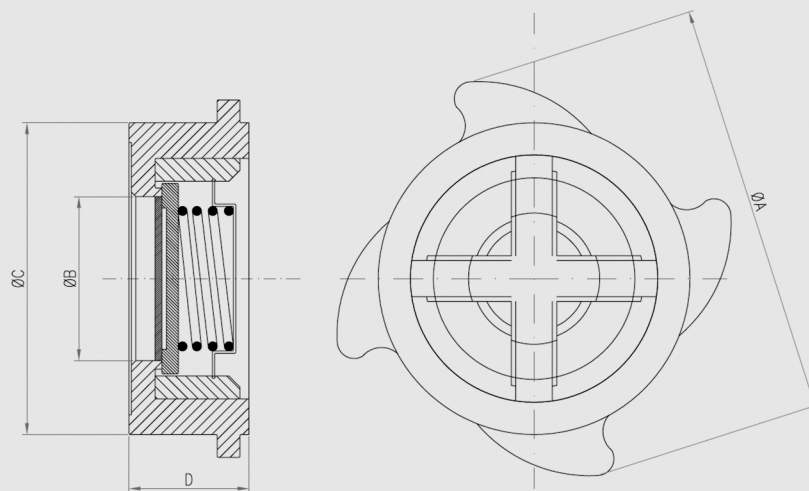


Oslo 22 21 51 00 | Bergen 55 39 32 00 | Trondheim 90 75 72 91

Larvik 33 19 29 15 | Arendal 37 06 11 40 | post@jsc.no | www.jsc.no

TECHNICAL DETAILS

Wafer design	Series DN 15 - DN 100
Self-centering	Suitable to be insert for flanges PN 6, 10, 16, 25, 40, ANSI 150, ANSI 300
Low pressure drop	Working pressure MAX 20 Bar
Easy to install and maintenance	For higher pressure please contact our offices
Can be installed on vertical pipelines with downhill flow	PTFE disc, special materials, calibrated spring upon request
Materials: acciaio inox AISI 316	
Metal/Metal seat, soft seat upon request	



DIMENSIONS

DN		A	B	C	D
mm	inch				
15	1/2"	60	15	38	16
20	3/4"	69,5	20	47	20
25	1"	80,5	25	55	22
32	1" 1/4	91	32	67	28
40	1" 1/2	101	40	76	32
50	2"	115	50	93	40
65	2" 1/2	142	65	109	46
80	3"	154	80	128	50
100	4"	184	100	148	60

* DN40 ANSI150 standard with raised face, no external orings