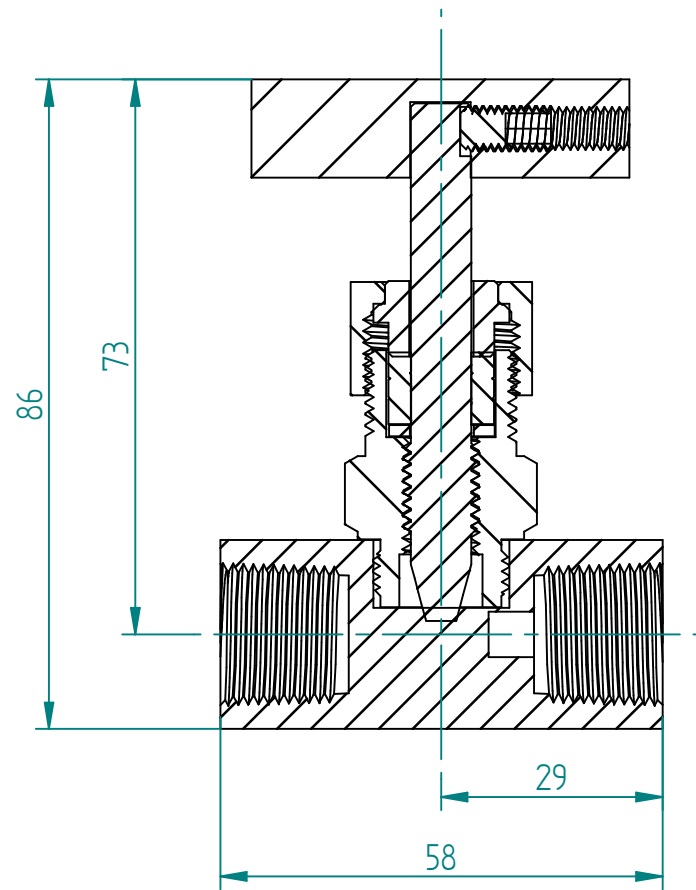
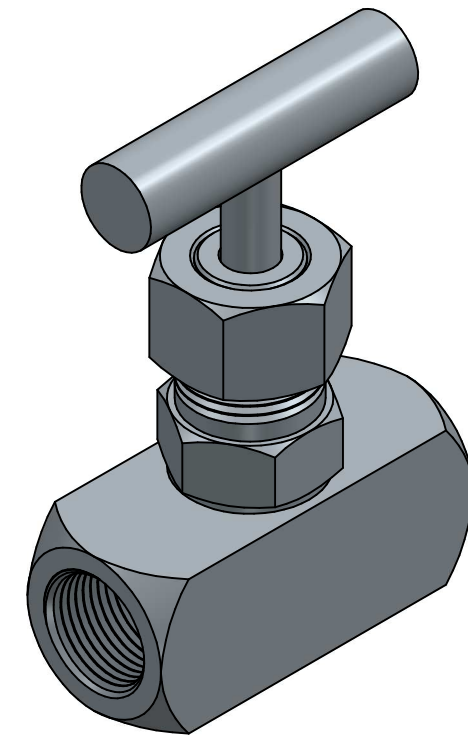
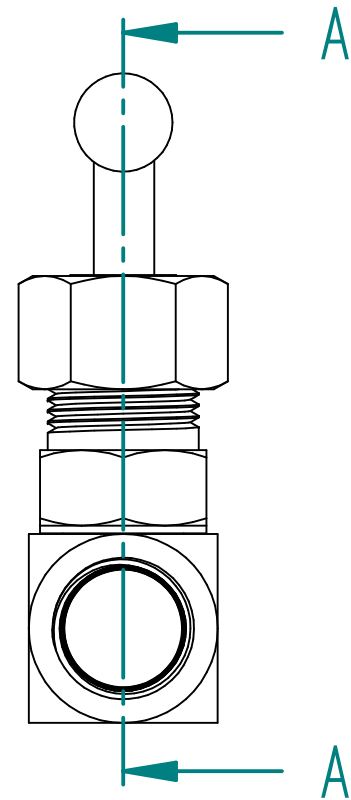


No.	Part Name	Material
1	Set Screw	SS 304
2	Handle	SS 410
3	Stem	SS 316
4	Gland Nut	SS 304
5	Gland	SS 304
6	Packing	TEFLON
7	Bonnet	SS 316
8	Body	SS 316



SECTION A-A



TITLE NEEDLE VALVE ND-1000 3/8" BSP PN 690 KV 0,8	NAME	DATE	SIZE	DWG NO	UNLESS OTHERWISE SPECIFIED DIMENSIONS ARE IN MILLIMETERS AND TOLERANCES ARE +/-0,5
	DRAWN	MOTO	28.07.2020	A3	
	CHECKED	ERGJ	28.07.2020	FILE NAME: MAR06053.dft	
	ENG APPR	TOCO	dd.mm.yyyy	SCALE: 1:1	
MGR APPR	TOCO	dd.mm.yyyy	WEIGHT:	SHEET: 1 OF 1	

REV	DESCRIPTION	DATE	APPROVED
REVISION HISTORY			