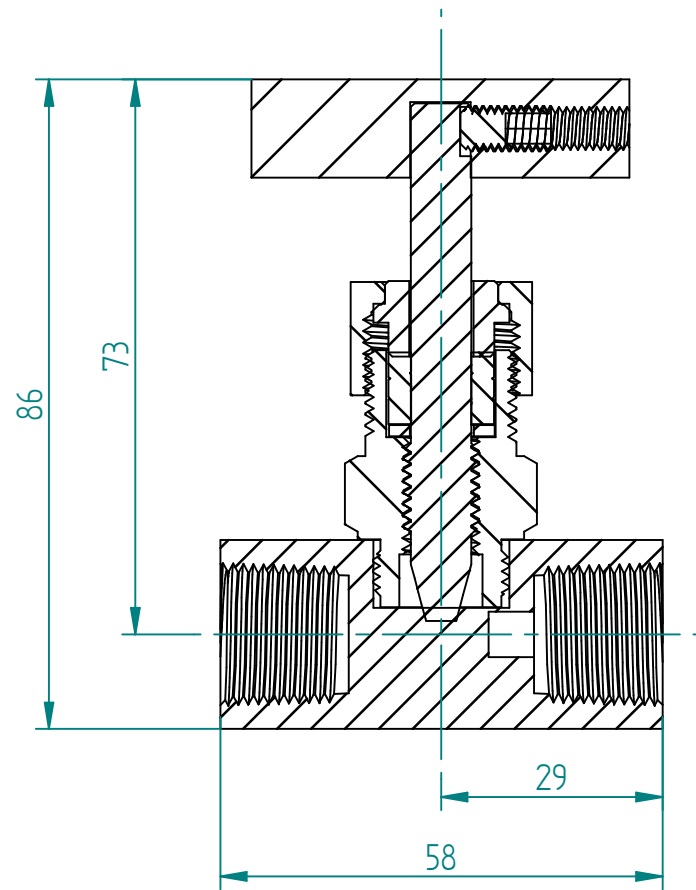
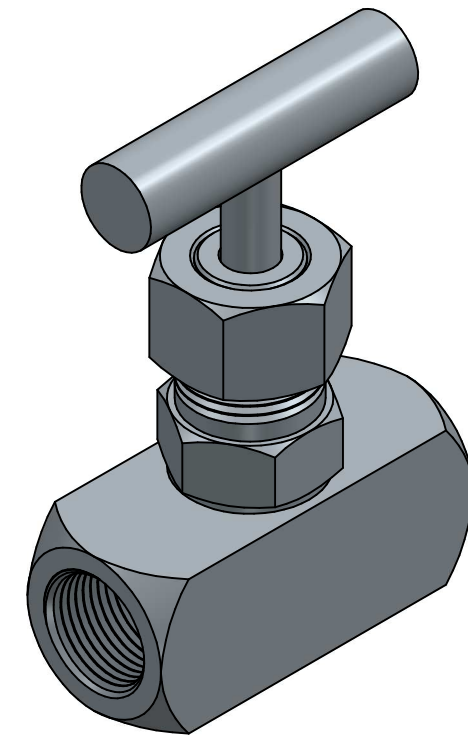
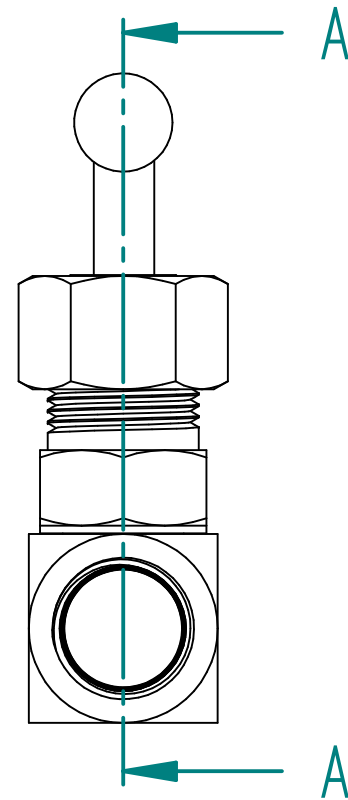



No.	Part Name	Material
1	Set Screw	SS 304
2	Handle	SS 410
3	Stem	SS 316
4	Gland Nut	SS 304
5	Gland	SS 304
6	Packing	TEFLON
7	Bonnet	SS 316
8	Body	SS 316



SECTION A-A



	NAME	MOTO	DATE	28.07.2020	SIZE	A3	DWG NO	UNLESS OTHERWISE SPECIFIED DIMENSIONS ARE IN MILLIMETERS AND TOLERANCES ARE +/-0,5	
	DRAWN	ERGJ	DATE	28.07.2020	FILE NAME:	MAR06023.dft			
	ENG APPR	TOCO	DATE	dd.mm.yyyy	SCALE:	1:1	REV:	
	MGR APPR	TOCO	DATE	dd.mm.yyyy	WEIGHT:		SHEET:		1 OF 1

TITLE NEEDLE VALVE ND-1000
3/8" NPT PN 690 KV 0,8

REV	DESCRIPTION	DATE	APPROVED
REVISION HISTORY			