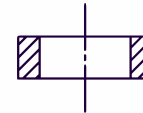
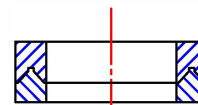


# 20-10 SERIES

2-PIECE REDUCED BORE BALL  
VALVES 1/4"~2" DN8~DN50  
THREADED ENDS 1000PSI



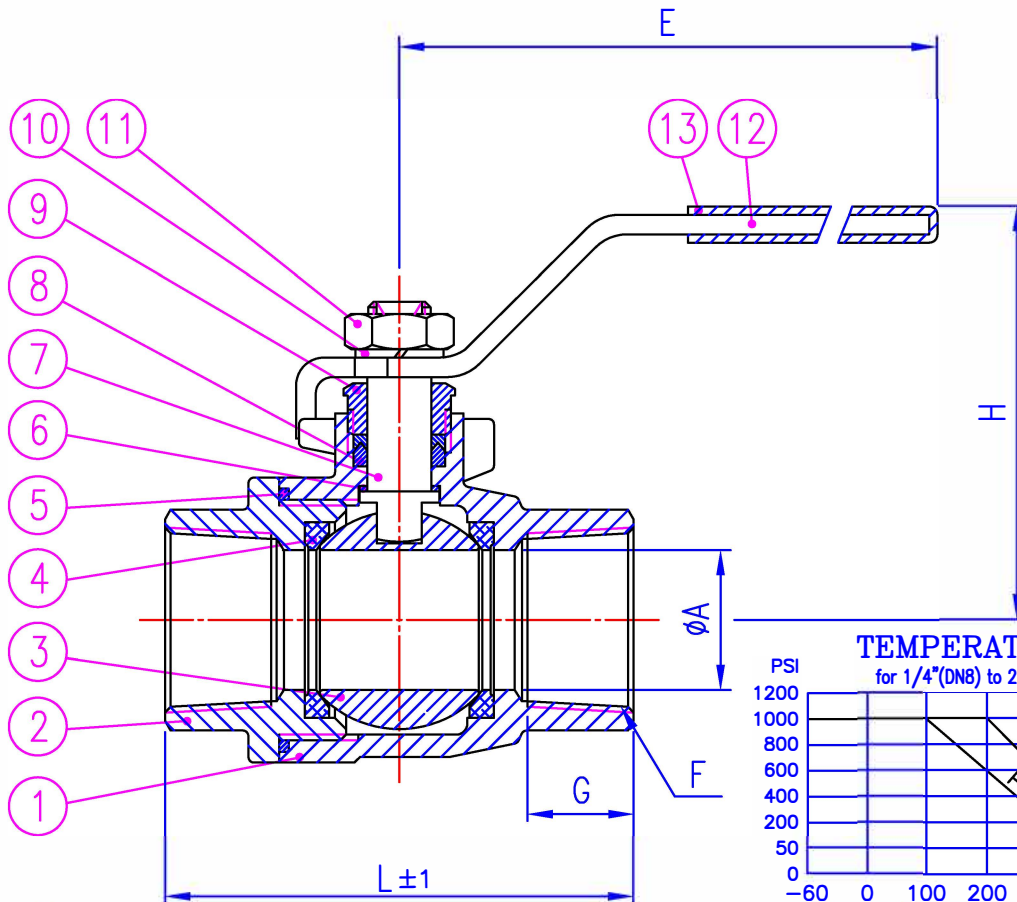
1/4"~3/8"  
GLAND PACKING



1/2"~2"  
GLAND PACKING

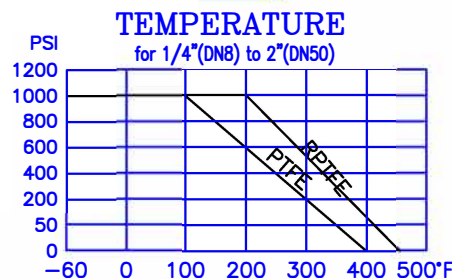
## MATERIALS LIST (Ti)

NO.	PART NAME	QTY	MATERIAL
1	Body	1	ASTM B367 Gr.2
2	End Cap	1	ASTM B367 Gr.2
3	Ball	1	ASTM B348 Gr.2
4	Seat	2	PTFE
5	Joint Gasket	1	PTFE
6	Stem seal	1	PTFE
7	Stem	1	ASTM B348 Gr.2
8	Gland Packing	1 Set	PTFE
9	Gland Bush	1	SS316
10	Stem Washer	1	SS316
11	Stem Nut	1	SS316
12	Handle	1	SS316
13	Handle Sleeve	1	VINYL



## DIMENSIONS(mm)

SIZE	φA	L	H	E	F	G
1/4"	11.5	55	50	100	1/4" PF-NPT-PT	13
3/8"	12.5	55	50	100	3/8" PF-NPT-PT	13
1/2"	15	65	60	130	1/2" PF-NPT-PT	15
3/4"	20	72	64	130	3/4" PF-NPT-PT	17
1"	25	84	71	165	1" PF-NPT-PT	19
1-1/4"	32	94	78	165	1-1/4" PF-NPT-PT	22
1-1/2"	38	110	86	190	1-1/2" PF-NPT-PT	22
2"	50	126	95	190	2" PF-NPT-PT	26



MATERIAL	DATE	2005'07, 29	CHECKED BY	DRAW BY	Flora L
	DRAWING	M20-10-JSC	DRAWING NAME	20-10 SERIES (Ti)	

ORDER	DATE	REASON FOR CHANGE	Legend	CHANGE BY	REMARK
-------	------	-------------------	--------	-----------	--------