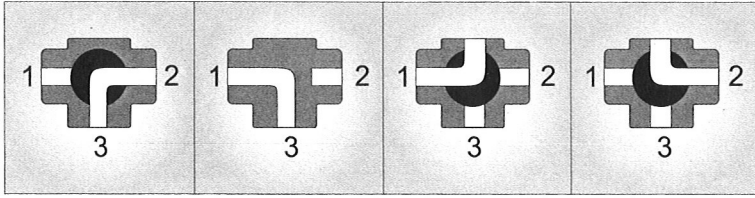


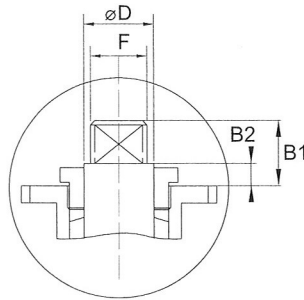
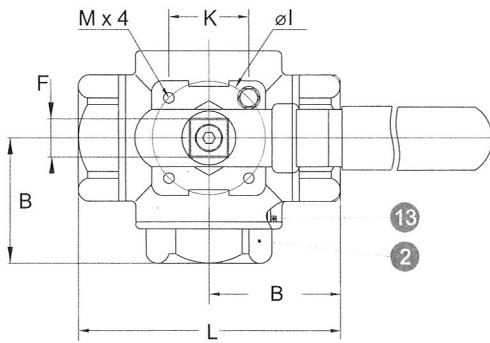
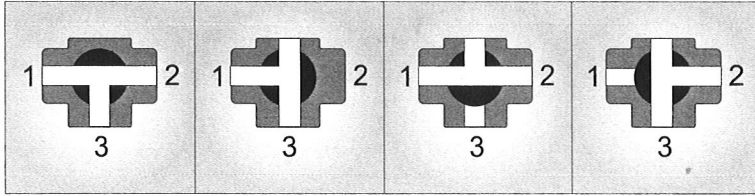
# SERIES 38 / 35

## FLOW PATTERNS

### L-PORT

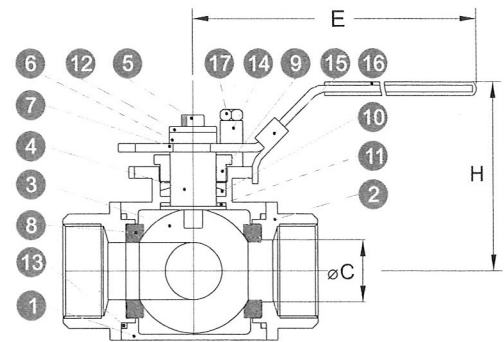


### T-PORT



## MATERIALS LIST

| NO. | PART NAME          | MATERIAL          | Q'TY |
|-----|--------------------|-------------------|------|
| 1   | Body               | ASTM 351 Gr. CF8M | 1    |
| 2   | End Cap            | ASTM 351 Gr. CF8M | 3    |
| 3   | Ball               | SUS316            | 1    |
| 4   | Stem               | SUS316            | 1    |
| 5   | Stem Nut           | SUS 304           | 1    |
| 6   | Stem Spacer        | SUS 304           | 1    |
| 7   | Handle             | SUS 304           | 1    |
| 8   | Seat               | PTFE              | 4    |
| 9   | Gland Nut          | SUS 304           | 1    |
| 10  | Stem Packing       | PTFE              | 2    |
| 11  | Thrust Washer      | PTFE              | 1    |
| 12  | Stem Disc          | SUS 304           | 1    |
| 13  | Joint Gasket       | PTFE              | 3    |
| 14  | Cylindrical Spacer | SUS 304           | 1    |
| 15  | Locking Device     | SUS 304           | 1    |
| 16  | Handle Sleeve      | Vinyl             | 1    |
| 17  | Stop Bolt          | SUS 304           | 1    |



## DIMENSIONS (mm)

| SIZE   | B    | B1   | B2  | φ C  | φ D  | E   | F    | H   | φ I | K    | L   | M  | ISO5211 | Wt.(Kg) |
|--------|------|------|-----|------|------|-----|------|-----|-----|------|-----|----|---------|---------|
| 1/4"   | 34.0 | 11.0 | 6.0 | 11.0 | 12.0 | 106 | 9.0  | 58  | 42  | 29.7 | 68  | M5 | F04     | 0.6     |
| 3/8"   | 34.0 | 11.0 | 6.0 | 11.0 | 12.0 | 106 | 9.0  | 58  | 42  | 29.7 | 68  | M5 | F04     | 0.6     |
| 1/2"   | 37.5 | 11.0 | 6.0 | 12.7 | 12.0 | 138 | 9.0  | 61  | 42  | 29.7 | 75  | M5 | F04     | 0.7     |
| 3/4"   | 43.0 | 13.0 | 6.0 | 16.0 | 15.0 | 138 | 11.0 | 74  | 50  | 35.4 | 86  | M6 | F05     | 1.1     |
| 1"     | 51.5 | 19.0 | 7.5 | 20.0 | 15.0 | 162 | 11.0 | 81  | 50  | 35.4 | 103 | M6 | F05     | 1.75    |
| 1 1/4" | 57.5 | 19.0 | 7.5 | 25.0 | 15.0 | 162 | 11.0 | 88  | 50  | 35.4 | 115 | M6 | F05     | 2.42    |
| 1 1/2" | 62.5 | 23.5 | 8.5 | 32.0 | 15.0 | 220 | 11.0 | 104 | 70  | 49.5 | 125 | M8 | F07     | 3.4     |
| 2"     | 73.0 | 24.5 | 8.5 | 38.1 | 18.5 | 220 | 14.0 | 110 | 70  | 49.5 | 146 | M8 | F07     | 5.45    |

## BREAK AWAY TORQUE

| Valve Size | Nm  | in-lbs. |
|------------|-----|---------|
| 1/4"       | 3.5 | 31      |
| 3/8"       | 3.5 | 31      |
| 1/2"       | 6   | 62      |
| 3/4"       | 8   | 75      |
| 1"         | 18  | 160     |
| 1 1/4"     | 29  | 310     |
| 1 1/2"     | 41  | 380     |
| 2"         | 50  | 450     |

## HOW TO ORDER

**38-10T 08 S**

| VALVE TYPE                     | VALVE SIZE  | BODY MATERIAL |
|--------------------------------|---|---------------|
| L-PORT 38-10L<br>T-PORT 38-10T | 01- 1/4" DN 8<br>02- 3/8" DN 10<br>03- 1/2" DN 15<br>04- 3/4" DN 20<br>05- 1" DN 25<br>06- 1 1/4" DN 32<br>07- 1 1/2" DN 40<br>08- 2" DN 50 | S-CF8M        |



## MARS VALVE CO.,LTD.

7F-6,NO.200,SEC.4,WEN-SHIN ROAD  
TAICHUNG,TAIWAN,R.O.C.

TEL:++886-4-297 3808

FAX:++886-4-297 3608

E-MAIL:marsvalve@mail.lbfe.org.tw

AGENT: