



SERIES 24

MADE IN MARS

Direct Mount Design
2-Piece Ball Valves
Stainless Steel and Carbon Steel
Full Port : 1/4" - 1 1/2"
Reduced Port : 2"
Pressure Rating : 3000 PSI

Take a good look, it may be your future



FIG. 24-20
Male / Female Threaded

FIG. 24-10
Female / Female Threaded

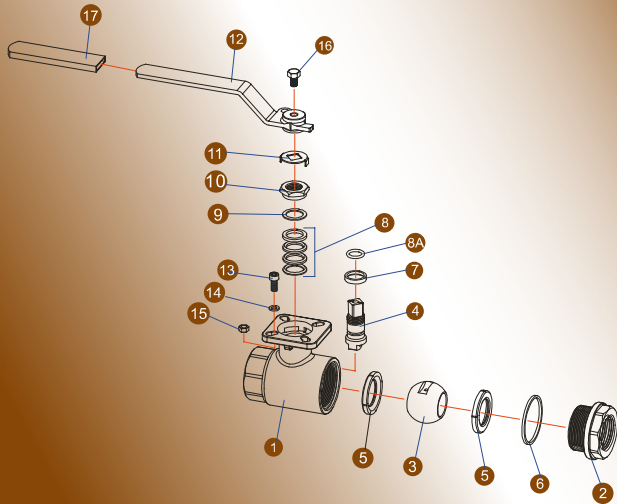
DESIGN ADVANTAGES

- **Dual Pattern ISO 5211 Mounting Pad with Square Shaft**
Allows an actuator bolted directly to the top of ball valves, No bracket and coupler required, provides easy and low cost automation with improved cycle life.
- **O-Ring Stem Seal**
Enhances stem wear and maintains stem alignment, provides extra longer service life.
- **Anti-Static Device**
Spring loaded stem-to-ball and stem-to-body anti-static device as standard
- **Blow-Out Proof Stem**
For maximum safety.
- **Fire-Safe Design compliance with API 607 4th Edition and BS6755 part 2.**

Mars Valve Patented Direct Mount Ball Valves set a new standard for ball valve / actuator mounting, enhance functional performance with easy installation and lower maintenance costs.



No bracket and adapter are required, the valve stem is an integral part of the actuator drive. The direct valve stem coupling to actuator shaft ensures correct alignment of the valve to the actuator, minimizes stem side loading and backlash during operation, increased service life and performance.



Series 24 with Spring Return Safety Handle



The SRS handle is a spring energized handle, the ball valve will return to pre-determined closed (or open) position when an operator disengages from handle, provides safe and positive fail close or open operation, creating a reliable sampling, filling, dispensing, and pressure relief valve. Full S.S. construction provides excellent corrosion resistance for extended service life.

MATERIALS LIST

NO.	PART NAME	MATERIAL	Q'TY
1	Body	CF8M / WCB	1
2	End Cap	CF8M / WCB	1
3	Ball	CF8M	1
4	Anti Static Stem	SS316	1
5	Ball Seat	TFM1600 / DELRIN	2
6	Body Seal	PTFE / PTFE	1
7	Thrust Washer	PTFE / DELRIN	1
8	Stem Packing	PTFE / PTFE	1
8A	O-ring	VITON	1
9	Thrust Washer	50%SS / 50% + PTFE	1
10	Stem Nut	SS304	1
11	Lock Saddle	SS304	1
12	Handle	SS304	1
13	Stop Bolt	SS304	1
14	Stop Nut	SS304	1
15	Stop Washer	SS304	1
16	Handle Bolt	SS304	1
17	Handle Sleeve	VINYL	1

BREAK AWAY TORQUE

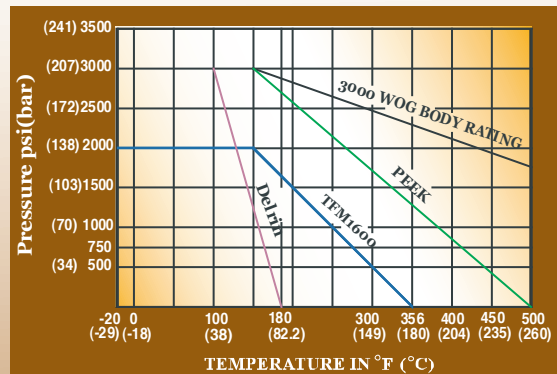
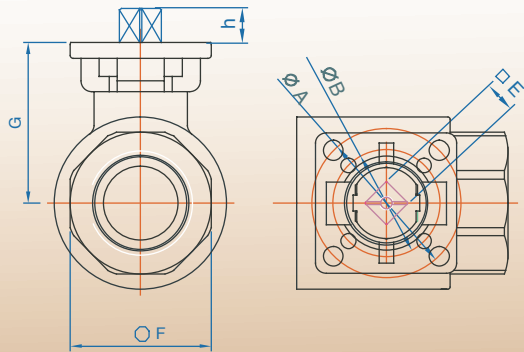
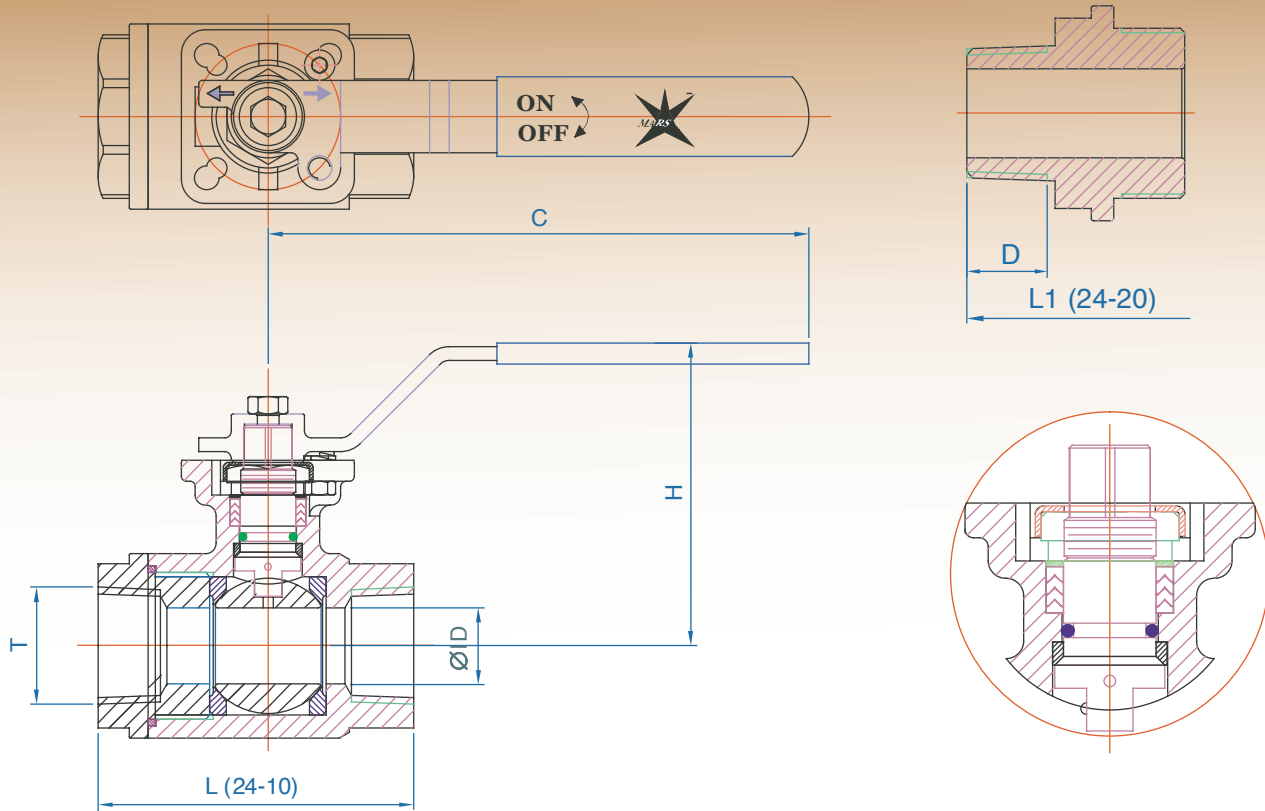
size	DELRIN		PEEK		TFM 1600	
	Nm	In-Lbs	Nm	In-Lbs	Nm	In-Lbs
1/4"	12	104	26	234	12	104
3/8"	12	104	26	234	12	104
1/2"	15	130	26	234	12	104
3/4"	18	156	35	312	12	104
1"	23	208	51	455	19	169
1 1/4"	44	390	66	585	23	208
1 1/2"	53	468	88	780	29	260
2"RB	53	468	88	780	29	260

● Standard Mars valves are assembled with silicon-free based in lubricant, torque for dry assembled valves please consult factory.

Cv Value

1/4"	3/8"	1/2"	3/4"	1"	1 1/4"	1 1/2"	2"
5.3	8.0	19.0	35.0	50.0	110.0	180.0	210.0

DIMENSIONS (mm)



SIZE	ØID	A	B	C	□E	○F	G	h	H	L	L1	D	T
1/4"	9.7	F03	F04	126	9	25.9	41.0	8	72	75	88.9	11.4	NPT
3/8"	9.7	F03	F04	126	9	25.9	41.0	8	72	75	88.9	11.4	
1/2"	12.7	F03	F04	126	9	32.6	41.0	8	72	75	92	15	PT
3/4"	17.5	F03	F04	126	9	38.4	43.8	8	73	81	99	16	
1"	22.1	F04	F05	156	11	47.2	53.5	10	87	91	113	20	PF
1 1/4"	29.0	F04	F05	156	11	58.9	59.0	10	93	110	127.1	21	
1 1/2"	34.7	F05	F07	181	14	66.2	75.2	13	114	121	141	23	2999
2" RB	34.7	F05	F07	181	14	82.0	75.2	13	114	145	155	22	



MARS VALVE CO., LTD.
TRANSWORLD STEEL ENT.CO., LTD.

7F-6, NO.200, SEC.4, WEN-SHIN ROAD,
 TAICHUNG, TAIWAN, R.O.C.
TEL:++886-4-2297 3808
FAX:++886-4-2297 3608
 E-mail: mars@marsvalve.com.tw
<http://www.marsvalve.com.tw>

Distributed by: