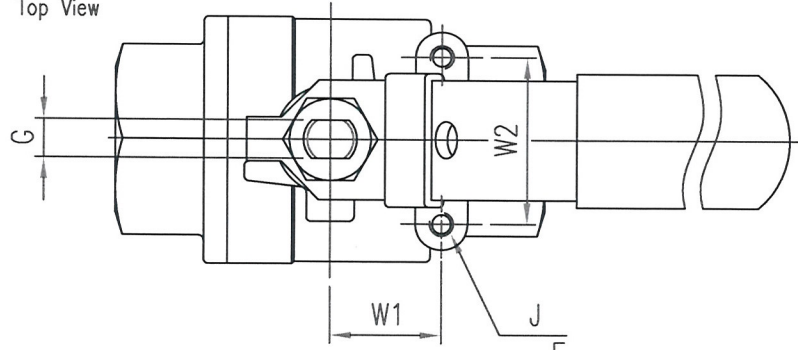
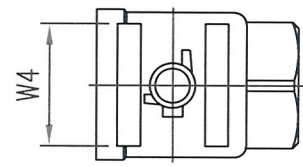


Top View

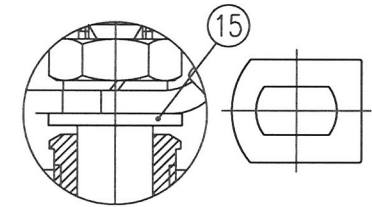
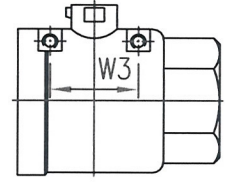


SERIES 20-20 TW-06

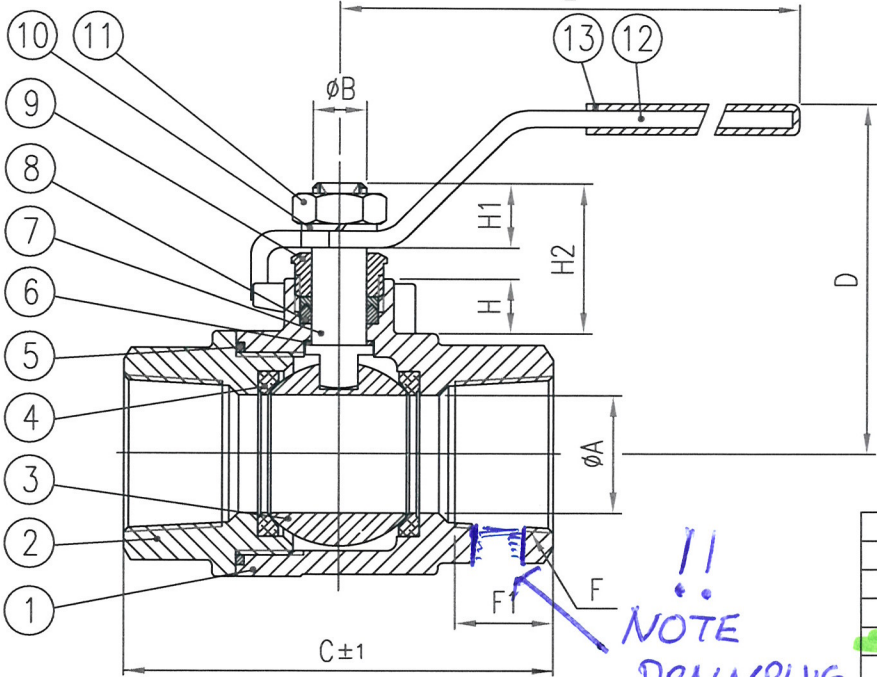
2-PIECE FULL PORT BALL VALVES
1/8"~4" DN4~DN100
THREADED ENDS 1000PSI



Top Mounting Location
For 2-1/2"~4"



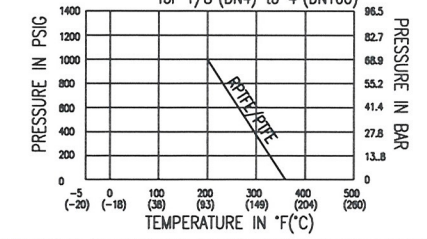
PS: 4" Handle Washer



MATERIALS LIST

NO.	PART NAME	QTY	MATERIAL
1	Body	1	CF8M
2	End Cap	1	CF8M
3	Ball	1	SS316
4	Seat	2	PTFE/RTFE
5	Joint Gasket	1	PTFE
6	Stem seal	1	PTFE
7	Stem	1	SS316
8	Stem Packing	1Set	PTFE
9	Gland Nut	1	SS304
10	Stem Washer	1	SS304
11	Stem Nut	1	SS304
12	Handle	1	SS304
13	Handle Sleeve	1	VINYL
14	Locking Device	1	SS304
15	Handle Washer	@	SS304

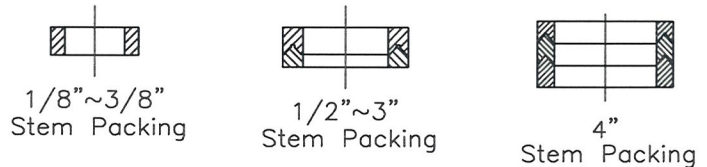
① For 4"-1pc Pressure Vs. Temperature Chart for 1/8"(DN4) to 4"(DN100)



DIMENSIONS(mm)

SIZE	ϕA	ϕB	C	D	E	F1	F	J	G	H	H1	H2	W1	W2	W3	W4
1/8"	8	8	55	50	100	10	1/8" BSP-NPT-BSPT	10-24UNC	5	8	9.8	22.3	12.7	28.5		
1/4"	11.5	8	55	50	100	15	1/4" BSP-NPT-BSPT	10-24UNC	5	8	9.8	22.3	12.7	28.5		
3/8"	12.5	8	55	50	100	15	3/8" BSP-NPT-BSPT	10-24UNC	5	8	9.8	22.3	12.7	28.5		
1/2"	15	9.5	65	60	130	16	1/2" BSP-NPT-BSPT	10-24UNC	6.5	10.5	11	25.6	12.7	28.5		
3/4"	20	9.5	74.6	64	130	17	3/4" BSP-NPT-BSPT	10-24UNC	6.5	10.5	11	25.6	22.4	35		
1"	25	11	88	71	165	20.4	1" BSP-NPT-BSPT	10-24UNC	8	11.5	13.5	31.5	23.4	35		
1-1/4"	32	11	102	78	165	22	1-1/4" BSP-NPT-BSPT	1/4-20UNC	8	11.5	13.5	31.5	25.4	38.1		
1-1/2"	38	14	110	86	190	22.5	1-1/2" BSP-NPT-BSPT	1/4-20UNC	9.7	12	15.6	35.1	25.4	38.1		
2"	50	14	125	95	190	26	2" BSP-NPT-BSPT	1/4-20UNC	9.7	9.5	15.6	30.6	25.4	38.1		
2-1/2"	65	19	160.6	130	250	31	2-1/2" BSP-NPT-BSPT	1/4-20UNC	12	17	24.5	54.2			59	61
3"	80	19	178	148	250	34	3" BSP-NPT-BSPT	1/4-20UNC	12	18	24.5	55.2			70	71
4"	100	19	240	175	280	43	4" BSP-NPT-BSPT	1/4-20UNC	15	20.8	24.5	57.4			100	78.5

!!
NOTE
DRAIN PLUG



MAR00025 / 26

ORDER	DATE	REASON FOR CHANGE	Legend	CHANGE BY	REMARK	MATERIAL	DATE	2009'07,07	CHECKED BY	DRAW BY	Flora L
						DRAWING	V20-20	DRAWING NAME	20-20	SERIES	