

PRESSURE CONTROL

Pressure reducing valve DM 555

Valve for small to medium flow rates

MANKENBERG

Technical data

Connection DN	15 - 50
Connection G	1/2 - 2
Nominal pressure PN	40
Inlet pressure	40 bar
Back pressure	0.5 - 20 bar
K _{vs} value	1.3 - 7.5 m ³ /h
Temperature	-40 up to 200 °C
Medium	liquids, gases and steam

Description

Self-acting pressure reducers are simple control valves offering accurate control while being easy to install and maintain. They control the pressure downstream of the valve without requiring pneumatic or electrical control elements.

The DM 555 pressure reducing valve is a spring-loaded proportional control valve for universal application at small and medium flow rates. The valve body and medium-wetted internal parts are made of stainless steel 316L featuring excellent corrosion resistance. The valve cone is fitted either with a metallic or a soft seal.

The outlet pressure to be controlled is balanced across the control unit by the force of the valve spring (set pressure). As the outlet pressure rises above the pressure set using the adjusting screw, the valve cone moves towards the seat and the volume of medium is reduced. As the outlet pressure drops, the valve control orifice increases; when the pipeline is depressurised, the valve is open. Rotating the adjusting screw clockwise increases the outlet pressure.

These valves are no shut-off elements ensuring a tight closing of the valve. In accordance with DIN EN 60534-4 and/or ANSI FC1 70-2 they may feature a leakage rate in closed position in compliance with the leakage classes III or V, optional IV.

Standard

- » Body and medium-wetted internal parts made of stainless steel 316L
- » DIN or ANSI flanges, threaded sockets G or NPT
- » Non-rising adjusting screw
- » Quick-release body clamp ring

Options

- » different materials for diaphragm and seals, suitable for your medium
- » Special connections: Aseptic, ANSI or JIS flanges, welding ends, other connections on request
- » Special materials such as Duplex, Superduplex, Hastelloy® or titanium, others on request
- » Special versions on request

Product



Picture similar

Technical specification

K_{vs} values [m³/h]

nominal diameter	DN 15 - 50			DN 25 - 50
m ³ /h	1.3	2.4	4.2	7.5

Setting ranges [bar], PS_{max}

setting range bar	0.5 - 2	1 - 4	2 - 7	5 - 20
PS _{max} at RT	PN 40/20			

max. operating pressure [bar] at operating temperature [°C]

T	-10 - 50	100	130	200
p	40	37	35	31

Materials

Materials*			
Temperature	80 °C	130 °C	200 °C
Body	1.4408 / 316L		
Bonnet	1.4404 / 316L		
Internals	1.4404 / 316L + 1.4462 / 318LN		
Adjusting screw	A4		
Spring	1.4310 / 304 / 1.7102 / J157 + Delta Tone		
Hard seal	1.4404 / 316L		
Soft seal	NBR	EPDM optional FKM	-
O-ring	NBR	EPDM optional FKM	FEPM

*All materials equal or of higher quality

Dimensions and weights

Dimensions [mm] threaded connection BSP and NPT

size	Connection G					
	1/2	3/4	1	1 1/4	1 1/2	2
A	135	135	135	190	190	190
B	68	68	68	68	68	68
C ₁	205	205	205	205	205	205
C ₂	275	275	275	275	275	275
øD	110	110	110	110	110	110

Dimensions [mm] flange connection EN 1092 and ANSI 150, 300

size	nominal diameter DN					
	15	20	25	32	40	50
A	230	230	230	230	230	230
B	68	68	68	68	68	68
C ₁	205	205	205	205	205	205
C ₂	275	275	275	275	275	275
øD	110	110	110	110	110	110
øE	95	105	115	140	150	165
F	19	22	23	26	26	30

Weights [kg] screwed connection BSP and NPT

Pressure range bar *	Connection G					
	1/2	3/4	1	1 1/4	1 1/2	2
0,5 - 2 / 1 - 4	6.6	6.6	6.6	6.6	6.6	6.6
2 - 7	8.6	8.6	8.6	8.6	8.6	8.6
5 - 20	9.6	9.6	9.6	9.6	9.6	9.6

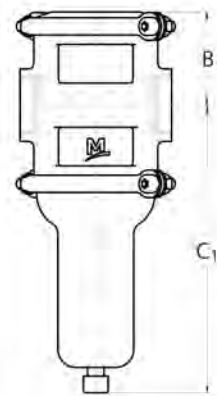
Weights [kg] flange connection EN 1092 and ANSI 150, 300

Pressure range bar *	nominal diameter DN					
	15	20	25	32	40	50
0,5 - 2 / 1 - 4	7.6	7.6	7.6	8.6	8.6	8.6
2 - 7	8.6	9.6	9.6	10.6	10.6	10.6
5 - 20	10.6	10.6	10.6	11.6	12.6	12.6

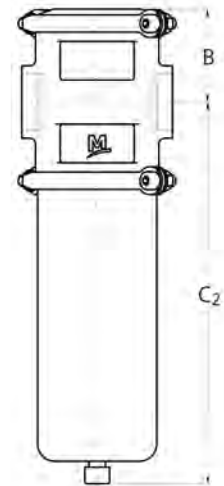
Customs tariff number

84811019

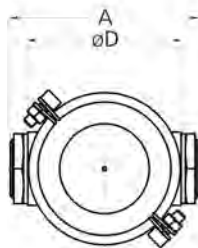
Setting Range
0,5 - 2 bar, 1 - 4 bar



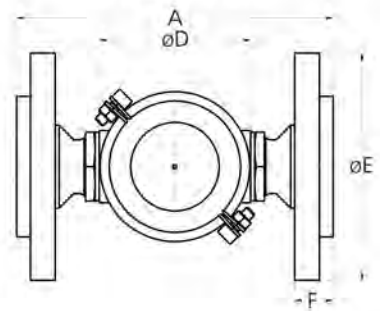
2 - 7 bar, 5 - 20 bar



Screwed Connection
BSP and NPT



Flange Connection
EN 1092 and ANSI



PRESSURE CONTROL

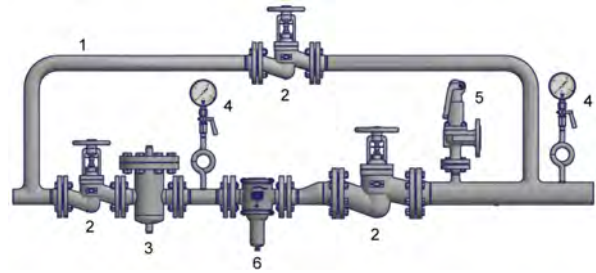
Pressure reducing valve DM 555

Valve for small to medium flow rates

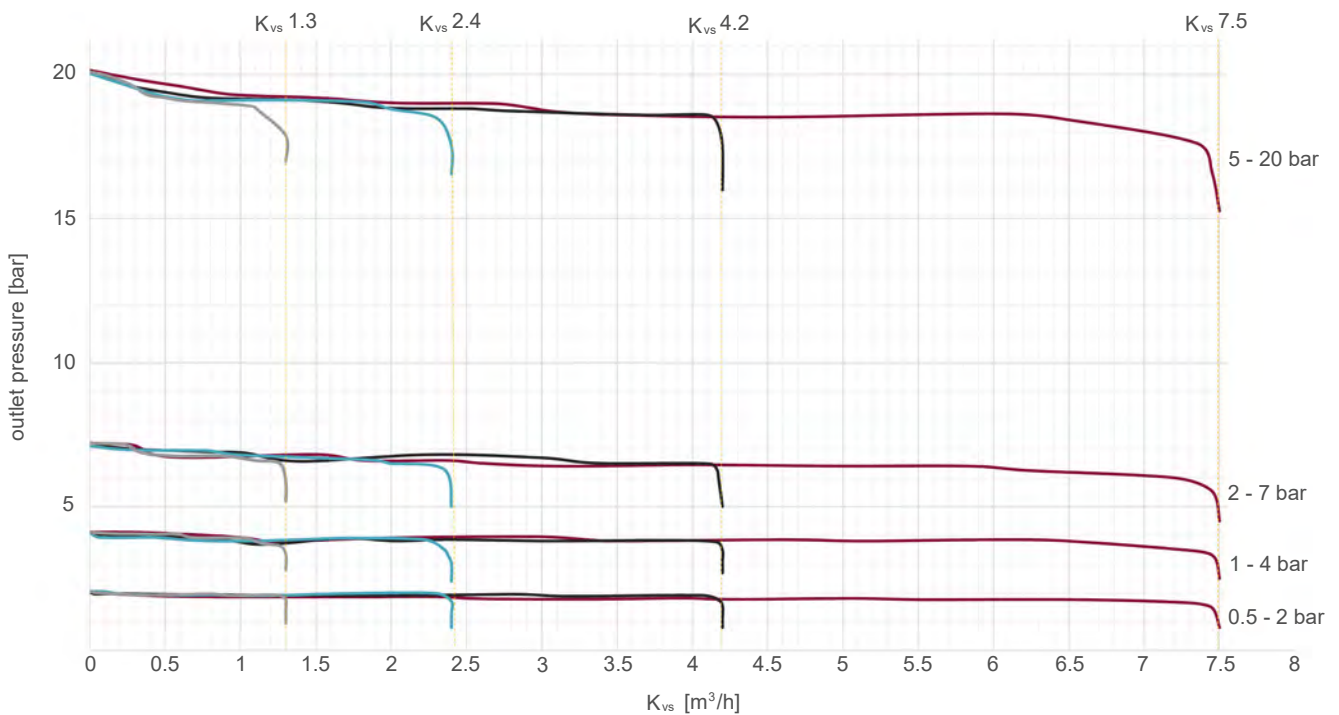


Recommended installation

- | | |
|--------------------------|----------------------------|
| 1 Bypass for maintenance | 4 Pressure gauge |
| 2 Shut-off valves | 5 Safety valve |
| 3 Strainer | 6 Pressure reducing valve* |



Flow chart



Mankenberg GmbH | Spenglerstrasse 99 | D-23556 Luebeck | Germany

Please send us your enquiry and allow us to advise you. Special designs on request.
The pressure has always been indicated as overpressure. Mankenberg reserves the right to alter technical specifications without notice.

Mankenberg GmbH
Spenglerstrasse 99
D-23556 Luebeck | Germany

Phone: +49 (0) 451-8 79 75 0
Fax: +49 (0) 451-8 79 75 99

info@mankenberg.de
www.mankenberg.com