

**Body:** EN-GJS-400-18-LT (GGG-40.3), two way form for water and steam  
 Pressure range: PN 16, PN 25  
 Immersion length acc. to DIN EN 558, basic series 1  
 Flanges acc. to DIN EN 1092-2 type 21  
 Spindle sealing: spring-loaded PTFE-V-ring unit for media temperatures up to 250°C  
 Alternatively: graphite-packing for media temperatures up to 350°C  
 Internal parts: stainless steel, replaceable seat rings  
 Flow characteristic: equal percentage  
 Positioning ratio: 50:1  
 Leakage: < 0,01% Kvs

**Actuator:** diaphragm area 250 cm<sup>2</sup>, ø250 mm  
 Control signal / closing pressure: see table  
 Operating mode (reversible):  
 "Spring closes straightway"  
 Air connection: G1/4"  
 Operating pressure: standard type: 1,6 bar  
 other types: ...c: 2,4 bar, ...d: 4,4 bar

**Accessories, special types:**  
 I/P-Positioner, control signal 4...20 mA (see page 390 8)  
 P/P-Positioner, control signal 0,2...1,0 bar (see page 390 5)  
 Electro-pneum. transformer (see page 390 3)  
 Solenoid valve for operating air (see page 393)  
 Limit switches (see page 39e)  
 Inductive limit switches (on request)  
 Manual operating device (see page 39h)  
 Other Kvs- values (see page 3214/5red1/2)  
 Weld-on ends (on request)  
 Flange drillings acc. to ANSI / JIS (on request)



**Order text:**  
 Pneumatic control valve in two way form  
 EN-GJS-400-18-LT (GGG-40.3), PN . . . , DN . . . , Kvs . . .  
 Spindle sealing with PTFE-V-ring unit  
 Spring closes (opens) straightway  
 Control signal . . . - . . . bar, closing pressure . . . bar  
 List-No. 321 . . . , accessories: . . .

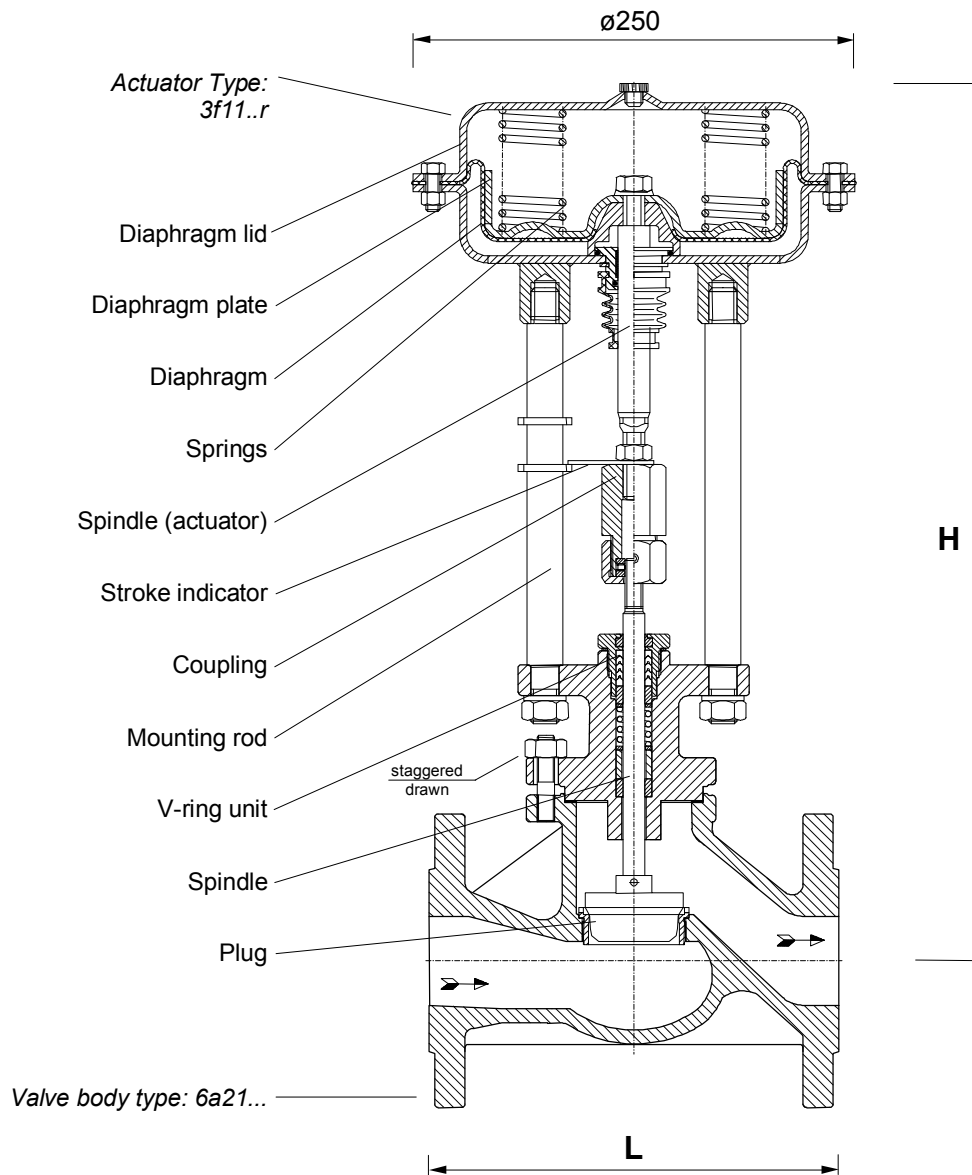
**Pressure-temperature ratings acc. to DIN EN 1092-2:**

by:	-10...120	150	200	250	300	350	°C*
PN 16	16	15,5	14,7	13,9	12,8	11,2	bar
PN 25	25	24,3	23	21,8	20	17,5	bar

\* = max. 250°C for spindle sealing with PTFE-V-ring unit

DN	List-No.		Kvs m <sup>3</sup> /h	Stroke mm	Closing pressure* (bar) for control signal...		
	PN 16	PN 25			0,4...1,2bar: standard	1,0...2,0bar: type ...c	2,0...4,0bar: type ...d
15	321 400.	321 500.	4	20	17,9	25,0	
20	321 401.	321 501.	6,3	20	17,9	25,0	
25	321 402.	321 502.	10	20	11,1	25,0	
32	321 403.	321 503.	16	20	6,3	22,8	25,0
40	321 404.	321 504.	25	20	3,6	14,4	25,0
50	321 405.	321 505.	40	20	1,9	8,9	20,7
65	321 406.	321 506.	63	30	0,6	4,8	11,9
80	321 408.	321 508.	100	30		3,0	7,7
100	321 410.	321 510.	160	30		1,7	4,7

\* higher closing pressures see page 3214/5Se, bigger DN see page 3214/5Sg/h/i



<b>DN</b>	<b>15</b>	<b>20</b>	<b>25</b>	<b>32</b>	<b>40</b>	<b>50</b>	<b>65</b>	<b>80</b>	<b>100</b>
Height H	460	474	468	474	480	482	525	526	533
Length L	130	150	160	180	200	230	290	310	350
Weight kg	16	17	18	20	21	23	37	40	50



**Foxboro SRI990**



**Samson 4763**

**Function:**

The electropneumatic positioner drives the plug of the control valve in position which depends on the input signal. The input signal can be adapted to the valve travel with various measuring springs and/or various levers for valve travel. Possible ranges are: 4...20 mA and for split-range operation 4...12 mA and 12...20 mA. The valve plug position is transmitted to the positioner with a lever. The minimum and the maximum of the input signal correspond to the end positions of the valve plug. The positioner controls and changes the output pressure connected to the pneumatic actuator and causes valve position changes, according to the input signal.

**Technical data:**

Input signal:	4...20 mA, 4...12 mA and 12...20 mA, two-wire system	
Air supply:	acc. to ISO 8573-1: - maximum particle size and density: class 2 - oil contents: class 3 - pressure dew point: class 3 or at least 10 K below ambient temperature	
Air supply pressure:	1,4...6 bar (20...90 psi)	
Output signal:	0...100% air supply pressure	
Characteristic:	linear	
Air connection:	G 1/4" acc. to ISO 228	
Operating direction:	reversible <i>Factory setting: direct (increasing input =&gt; increasing output)</i>	
Type:	<b>390846x</b> (Foxboro SRI990)	<b>39084.</b> (Samson 4763)
Max. ambient temperature:	-40 ... 80 °C	-20 ... 70 °C
Protection class:	IP 65	IP 54
Weight:	1,7 kg	1,5 kg
Explosion protection:	II 2 G EEx ia IIC T6 (standard)	II 2 G EEx ia IIC T6 (optionally)

<b>Types*:</b>	<b>List-No.</b>
Type Foxboro SRI990 Ex-version:	<b>390 846x</b>
Type Samson 4763 standard version:	<b>390 841</b>
Type Samson 4763 Ex-version:	<b>390 842</b>

**\* On request:**

- Accessories (for instance output signal 4...20 mA, inductive limit switches, pressure gauge)
- Special design (for instance other protection class, stainless steel housing, version for oxygen)
- Positioner from other producer (for instance ABB, Flowserve, Siemens)
- Positioner for other communications (for instance HART, PROFIBUS)