

figure

565

ends  
formflange  
straight

**BALL VALVE**


body material	nominal pressure	nominal diameter	max. temperature
A grey cast iron	C 16 bar	DN 15-200	150°C
	B 10 bar	DN 250	100°C



correspond to the pressure equipment directive 97/23/EC marking CE for DN≥32

**FEATURES**

- high tightness (leakproofness class - A acc. EN -12266 - 1)
- compact settlement
- environment-friendly
- tests acc. EN - 12266 - 1
- flanges drilled according to EN 1092-2
- face-to-face dimension according to EN 558-1 series 14

**APPLICATION**

- industrial cold and hot water plants
- compressed air plants
- industrial technologies
- heat engineering
- refrigeration and air conditioning

Data given can be changed without notice.

Edition 04/2013



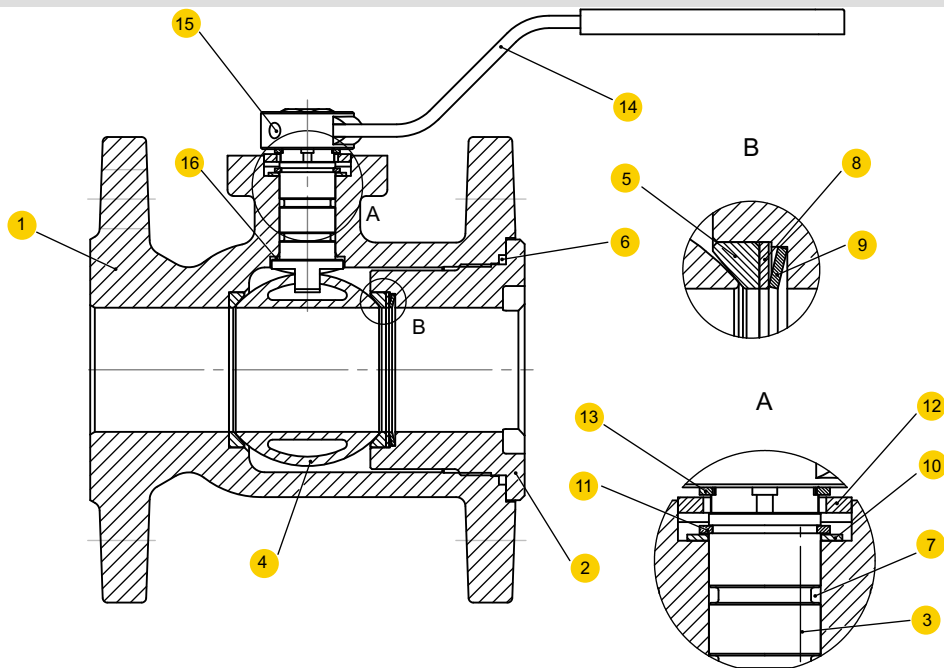
figure

565

ends  
form

flange  
straight

## MATERIALS

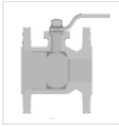


body material		A
type		09
1	body	EN-GJL250 5.1301 (ex.JL 1040)
2	screw plug	EN-GJL250 5.1301 (ex.JL 1040)
3	stem	X20Cr13 1.4006
4	ball	CuZn39Pb3
5	ball seat	PTFE
6	sealing ring	EPDM*
7	sealing ring	EPDM*
8	stopper ring	X20Cr13 1.4006
9	disc spring	stainless steel
10	washer	carbon steel + zinc galvanized
11	settle ring	carbon steel + zinc galvanized
12	opening limiter	carbon steel + zinc galvanized
13	settle ring	carbon steel
14	lever	carbon steel + zinc galvanized
15	tap screw	carbon steel
16	washer	PTFE
max. temperature		150°C

On customer's request - FKM

Data given can be changed without notice.

Edition 04/2013



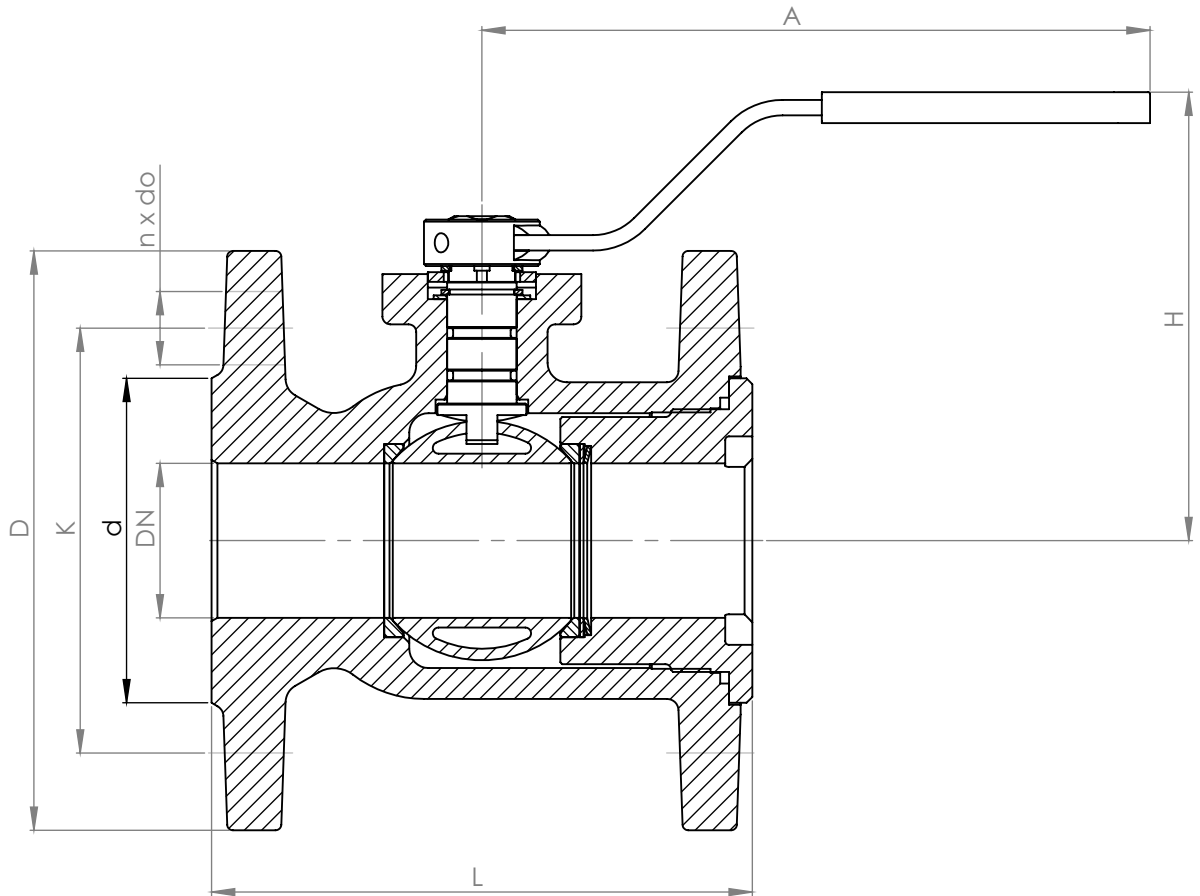
figure

565

ends  
form

flange  
straight

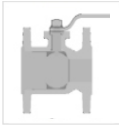
## DIMENSIONS



DN	PN 16							
	D	d	K	n x do	L	H	A	
mm								kg
15	95	46	65	4 x 14	115	78	172	2,2
20	105	56	75	4 x 14	120	85	172	2,6
25	115	65	85	4 x 14	125	80	185	3,3
32	140	76	100	4 x 19	130	90	185	4,9
40	150	84	110	4 x 19	140	116	250	6,5
50	165	99	125	4 x 19	150	125	250	8,2
65	185	118	145	4 x 19	170	150	300	11,9
80	200	132	160	8 x 19	180	160	300	16,5
100	220	156	180	8 x 19	190	180	525	25,0
125	250	184	210	8 x 19	200	245	625	40,0
150	285	211	240	8 x 23	210	260	625	49,0
200	340	266	295	12 x 23	400	320	1000	93,0
250	405	355	350	12 x 20	450	-	350	180,0

Data given can be changed without notice.

Edition 04/2013



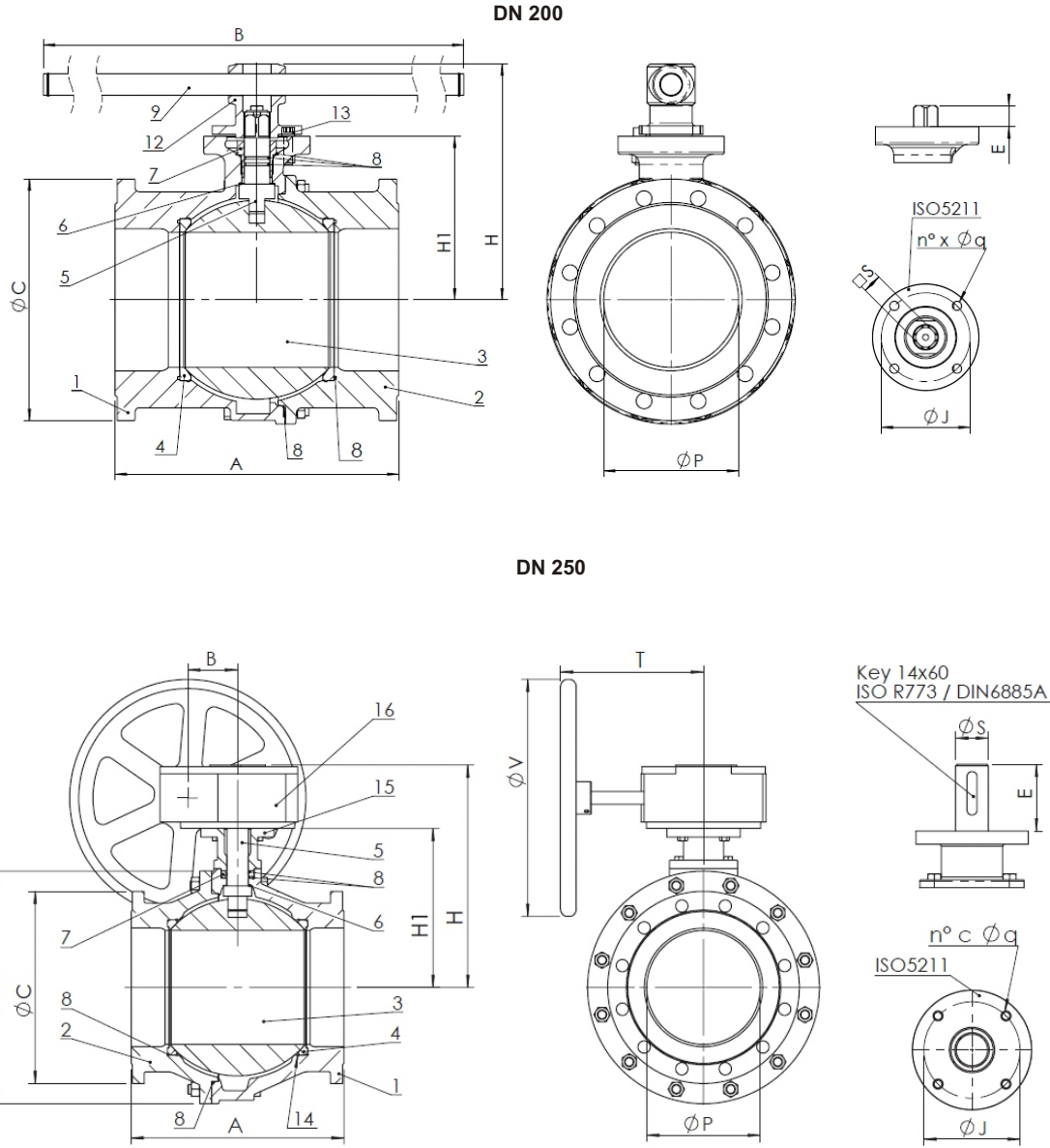
figure

565

ends  
form

flange  
straight

**DIMENSIONS**



DN															
	P	A	H	H1	B	G	C1	V	T	ISO5211	J	n x Ø q	E	S	
mm															kg
200	190	400	320	230	1000	340	-	-	-	F12	125	4x13	92	□ 27	93
250	240	450	448	335	101	405	490	500	284	F12	125	4x13	92	Ø 45	180

Data given can be changed without notice.

Edition 04/2013



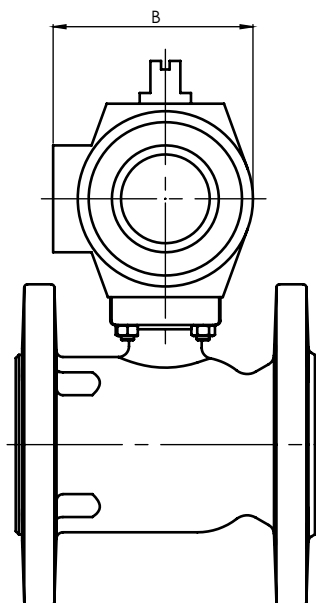
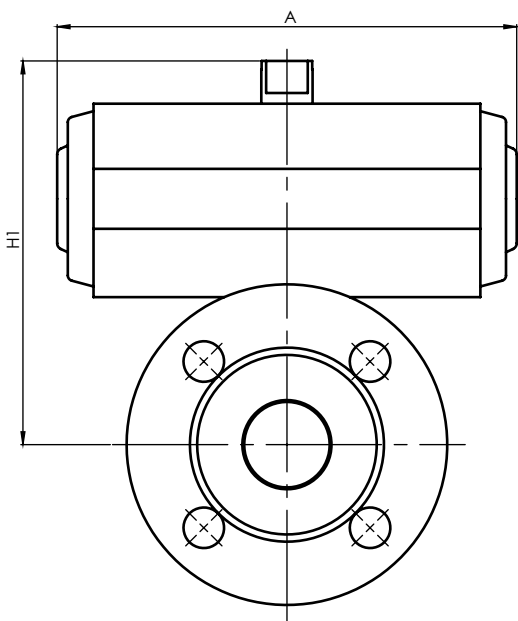
figure

565

ends  
form

flange  
straight

## BALL VALVE WITH PNEUMATIC ACTUATOR



DN	PN 16			
	A	B*	H1**	
mm				kg
15	133	60	134	3,0
20	133	60	140	3,4
25	176	71	158	4,4
32	176	71	167	6,0
40	205	94	182	7,9
50	205	94	189	8,9
65	214	122	241	11,8
80	214	122	308	16,0
100	267	146	335	33,9
125	355	172	410	52,2
150	355	172	430	61,5

REVO's actuator\*\*\*

## ADDITIONAL EQUIPMENT

- control valve
- location transmitter

\* B - without control valve

\*\* H1 - without location transmitter

\*\*\* another on customer's request

Data given can be changed without notice.

Edition 04/2013



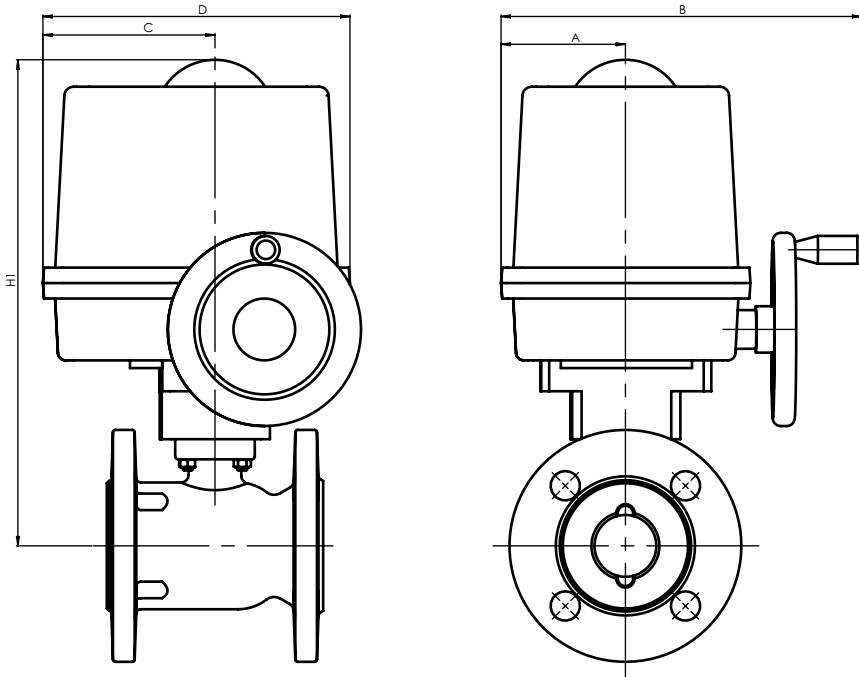
figure

565

ends  
form

flange  
straight

## BALL VALVE WITH ELECTRIC ACTUATOR



PS Automation's actuator\*

DN	PN 16					
	A	B	C	D	H1	
mm						kg
15	86	76	96	196	301	6,2
20	86	76	96	196	307	6,6
25	79	263	86	196	335	10,3
32	79	263	86	196	344	11,9
40	79	263	86	196	332	12,5
50	79	263	86	196	340	13,5
65	93	355	96	227	455	21,2
80	93	355	96	227	522	25,4
100	109	416	111	278	585	54,5
125	109	416	111	278	641	68,0
150	109	416	111	278	660	77,3

## STANDARD EQUIPMENT

- 230 V engine
- two road limit switches
- two torque switches
- regulated end stops
- hand wheel
- mechanical location indicator
- IP67 protection rating

## ADDITIONAL EQUIPMENT

- i24 VDC, 24 VAC and 400 VAC engines
- 1 or 2 location transmitters x 100 Ohm
- location transmitter 4-20 mA
- additional road limit/ torque switches
- electronic location regulator
- heater
- local control
- IP68 protection rating

\* another on customer's request

Data given can be changed without notice.

Edition 04/2013



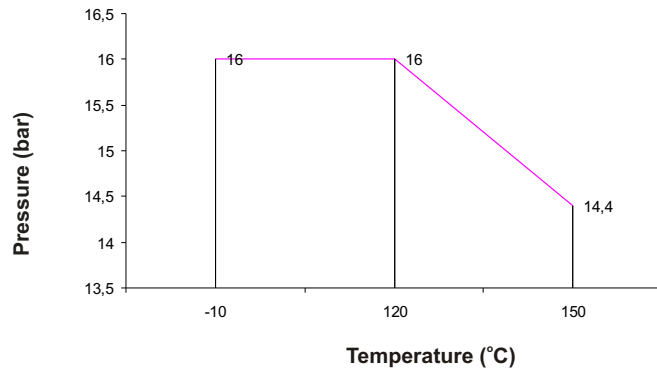
figure

565

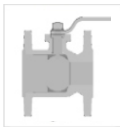
ends  
form

flange  
straight

## PRESSURE-TEMPERATURE RATINGS



Allowed working conditions range  
PN 16 EN-GJL-250



<b>figure</b>	<b>565</b>
ends form	flange straight

## TYPES

figure	body material	nominal diameter DN	nominal pressure PN	type
565	A grey cast iron EN-GJL-250	15-200 mm	C 16bar	09 • brass ball • o-ring PTFE • stem- stainless steel
		200 mm	C 16bar	05 • brass ball • o-ring NBR/FKM • stem- brass
		250 mm	B 10bar	05 • brass ball • o-ring NBR/FKM • stem- brass

## ORDERING

To place an order please use our product number (index)

figure	body material	nominal diameter DN	nominal pressure PN	type
565	A	80	C	09

### ORDER EXAMPLE

	565	A	080	C	09
stop valves, ends threaded, form straight	565				
grey cast iron EN-GJL-250		A			
nominal diameter DN80			080		
nominal pressure PN16				C	
brass ball • ball seat ring with PTFE • ball stem stainless steel					09