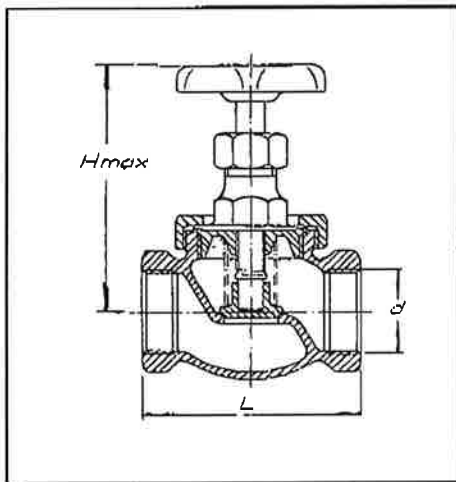


**Stängbackventil**

**AT 221131**

PN16

**S.D.N.R. valve PN16**



**Hus/Body:** AMETAL eller Rg5/AMETAL or gun metal

**Överdel/Bonnet:** se ovan/see above

**Kägla/Disc:** AMETAL eller special mässing/AMETAL or CR-brass

**Tätning/Seat:** metall/metal

**Spindel/Stem:** AMETAL eller special mässing/AMETAL or CR-brass

**Skruvar/Screws:** rostfritt/stainless steel

**Max. arbetstryck/Max. working pressure:** 16 bar

**Max. temp.:** +225°C

Överdelslåsning/*with secured bonnet*

DN	D	D1	L	L1	H	NV
10	R 3/8"	70	60	8,5	85	24
15	R 1/2"	70	65	10,5	90	28
20	R 3/4"	80	75	12	95	34
25	R 1"	80	90	13,5	115	43
32	R 1 1/4"	90	105	15,5	135	52
40	R 1 1/2"	100	120	15,5	145	60
50	R 2"	120	145	19	165	72

Mått i mm./Dim. in mm.  
Vikt i kg/st./Weight in Kg/ea.