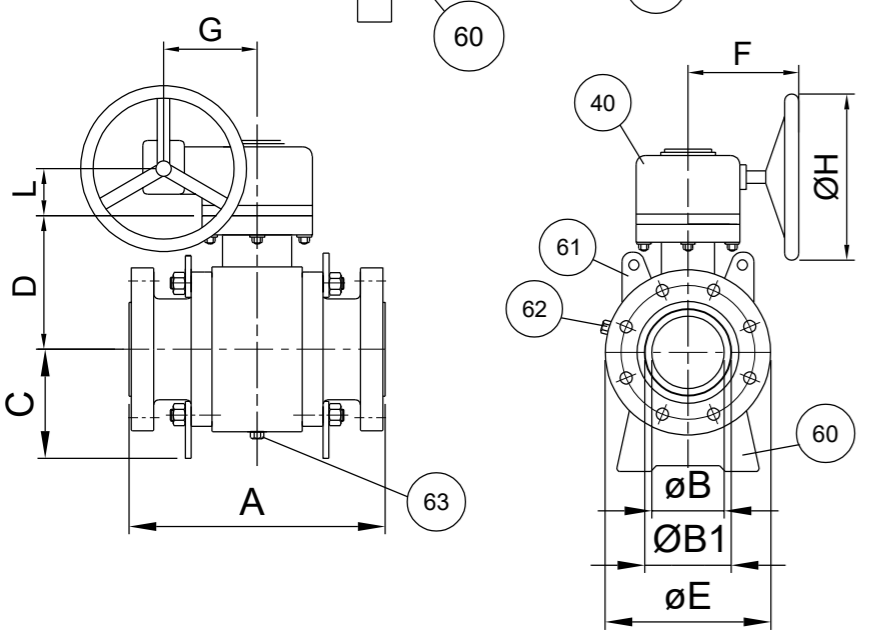


POS.	PART NAME	MATERIAL	MDS
01	BODY	A350 LF2	CF105
02	SEAT	A182 F316	SV102
02a	SEAT INSERT	RPTFE	
03	BALL	A182 F316	SV102
04	STEM	A479 TP.316	SV102
05	BONNET	A350 LF2	CF105
06	FLANGE	A350 LF2	CF105
20	STUD	A320 L7M	XN501
22	NUT	A194 Gr.7M	XN501
25	BONNET SCREW	A320 L7M	XN501
32	BEARING	AISI 316+PTFE	
34	BUSHING	AISI 316+PTFE	
36	SPACER	A350 LF2	
40	GEAR	SS316	
50	COVER PLATE	A350 LF2	
60	SUPPORT	A515 Gr.60+ZINC.	
61	LIFTING LUG	A515 Gr.60+ZINC.	
62	VENT PLUG	A182 F316	SF306
63	DRAIN PLUG	A182 F316	SF306
72.1	FLANGE O-RING	HNBR AED	
72.2	SEAT O-RING	HNBR AED	
72.4	STEM O-RING	HNBR AED	
72.5	BONNET O-RING	HNBR AED	
74.1	FLANGE GASKET	AISI 316+GRAPHITE	
74.5	BONNET GASKET	AISI 316+GRAPHITE	
75.2	SEAT GASKET	GRAPHITE	
75.4	STEM PACKING	GRAPHITE	
78	PACKING RING	A479 Tp.316	
82	SPRING	INCONEL X750	XV501
82.1	ANTISTATIC DEVICE	INCONEL X750	XV501
90	BODY/BONNET PIN	AISI 420	
90.1	SPACER PIN	AISI 420	
95	KEY	AISI 4140	



- REMARKS:**
- Dimension in mm
  - Face to face acc. to API 6D
  - Fire safe acc. to API 6FA/API607/ISO 10497
  - Flanges according to ASME B16.5
  - Valves according API 6D
  - Antistatic device according to API 6D
  - Material acc. to ISO 15156/NACE MR 0175.
  - Applicable VSK: V715, V732, V742, V743, V920, V927, V930



PART NO: FOV-BCAC105R-0300

VDS: BCAC105R

CUSTOMER:							
PO. N.:							
JOB N.:							
Rev.	DESCRIPTION	DRAWN	DATE	CHK'D	DATE	APPV'D	DATE
3							
2							
1							
0	FIRST ISSUE	R.Bacroume	05/09/2022	L.Mora	05/09/2022	P.Belotti	05/09/2022

**Fluitek Valves**

**GENERAL ASSEMBLY DRAWING**

**TRUNNION BALL VALVE**

DRAWING NAME: **D220146-01-02**

Rev.: **0**

ALL RIGHTS OF THIS DRAWING ARE RESERVED.

ITEM:	DATASHEET	Q.TY:	SIZE:	CLASS:	ENDS:	A	ØB	ØB1	C	D	ØE	F	G	ØH	L	Approx. Weight (Kg):
01	BCAC101R	1	12X10"	150	RF	610	254	305	345	320	485	412	211	400	305	490
02	BCAC101R	1	12X10"	150	RF	610	254	305	345	320	485	412	211	400	305	490