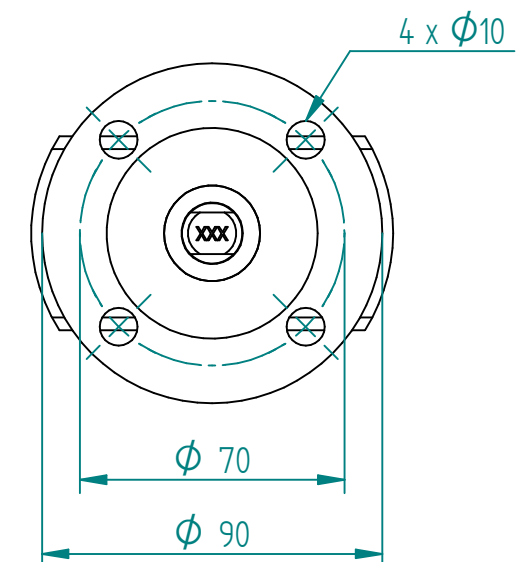
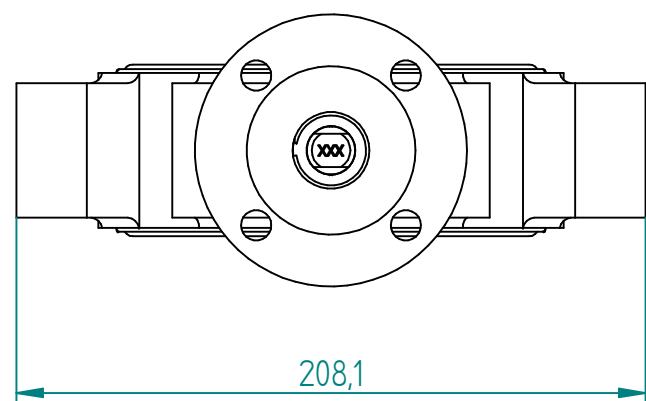


No.	Part Name	Material	Qty.
1	Body	Ductile Iron	1
2	Disc	Nylon 11 Coated Ductile Iron	1
3	Stem	416 Stainless Steel	1
4	Seat	FKM (Viton)	1



1:2 Top Plate



TITLE	NAME		DATE	SIZE	DWG NO
	DRAWN	MOTO	27.03.2018	<b>A3</b>	BRA80816
	CHECKED	TOCO	dd.mm.yyyy	FILE NAME: BRA80816.dft	
	ENG APPR	TOCO	dd.mm.yyyy	SCALE: 1:2,5	REV: .....
MGR APPR	TOCO	dd.mm.yyyy	WEIGHT: 7,0 kg	SHEET: 1 OF 1	

UNLESS OTHERWISE SPECIFIED DIMENSIONS ARE IN MILLIMETERS AND TOLERANCES ARE +/-0,5

REV	DESCRIPTION	DATE	APPROVED
REVISION HISTORY			

BUTTERFLY VALVE BRAY S31/3G9 COCENTRIC LUG 4" PN10