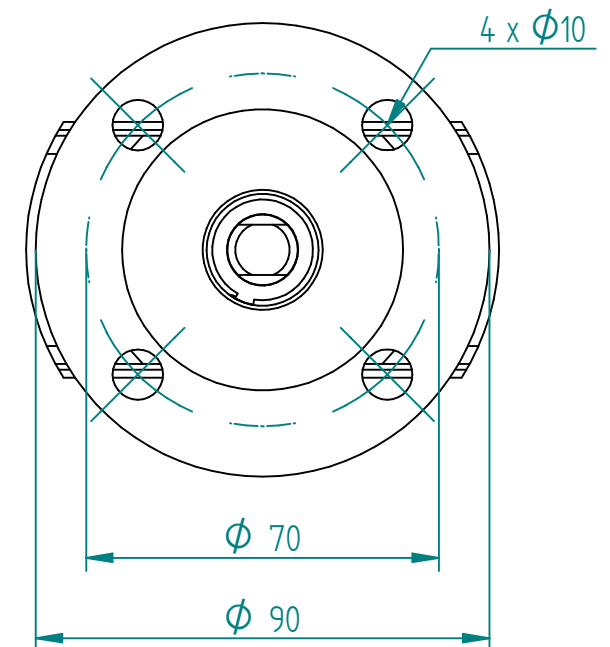
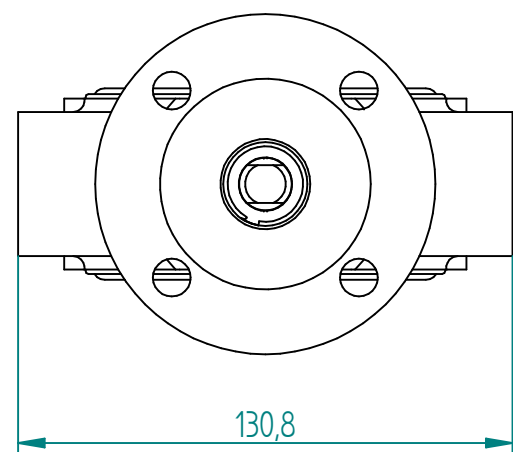
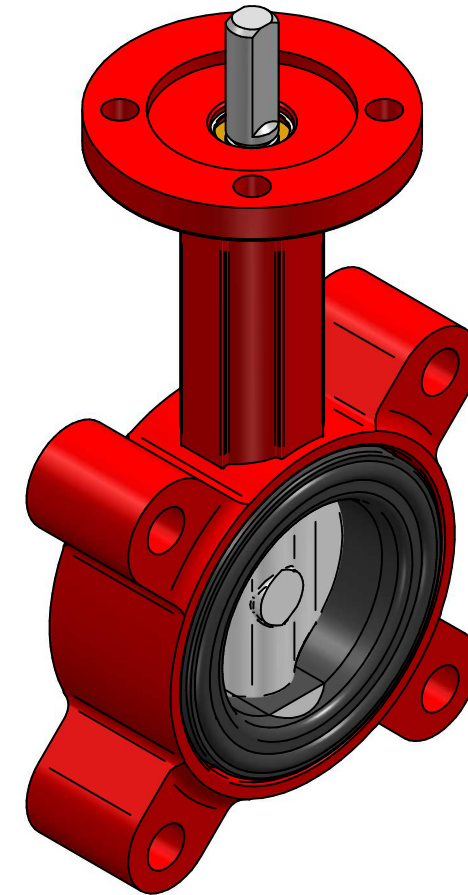
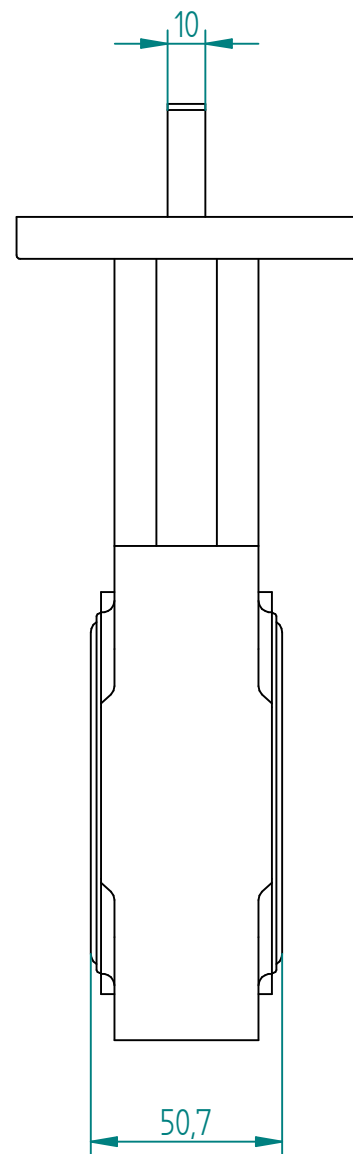
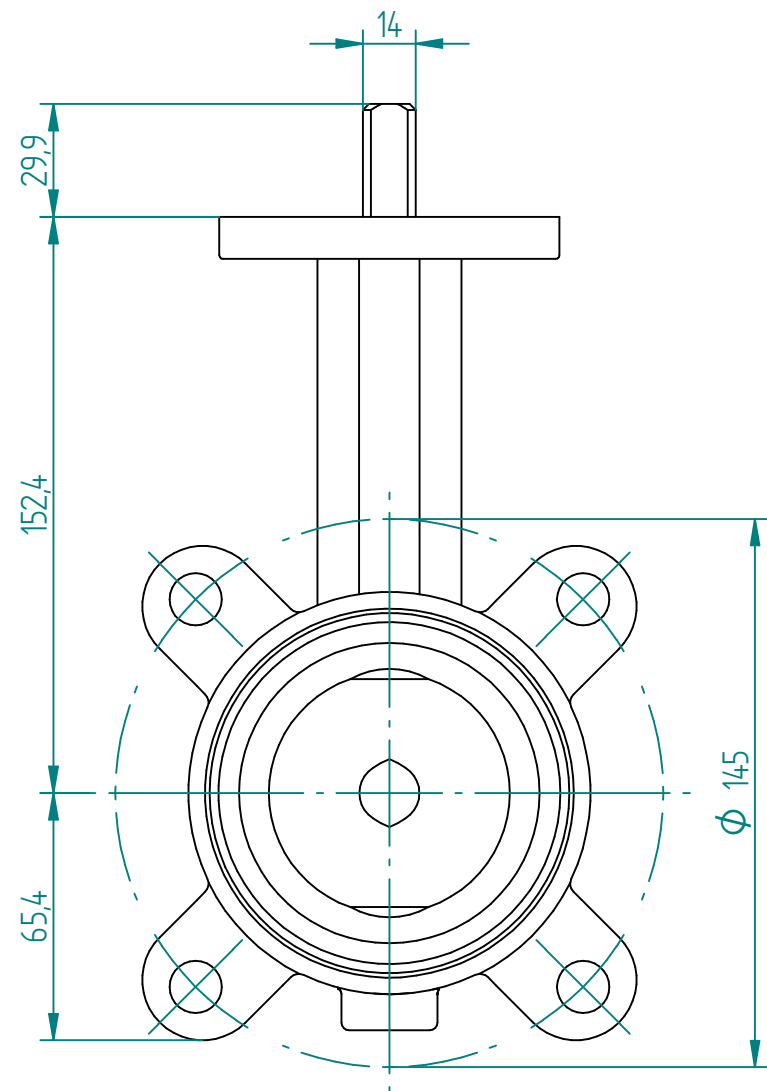


No.	Part Name	Material	Qty.
1	Body	Ductile Iron	1
2	Disc	Nylon 11 Coated Ductile Iron	1
3	Stem	416 Stainless Steel	1
4	Seat	FKM (Viton)	1



1:1.5 Top Plate



TITLE BUTTERFLY VALVE BRAY S31/3G9 COCENTRIC LUG 2 1/2" PN10		NAME	DATE	SIZE	DWG NO	UNLESS OTHERWISE SPECIFIED DIMENSIONS ARE IN MILLIMETERS AND TOLERANCES ARE +/-0,5
	DRAWN	MOTO	27.03.2018	A3	BRA80814	
	CHECKED	TOCO	dd.mm.yyyy	FILE NAME: BRA80814.dft		
	ENG APPR	TOCO	dd.mm.yyyy	SCALE: 1:2	REV:	
	MGR APPR	TOCO	dd.mm.yyyy	WEIGHT: 3,5 kg	SHEET: 1 OF 1	

REV	DESCRIPTION	DATE	APPROVED
REVISION HISTORY			