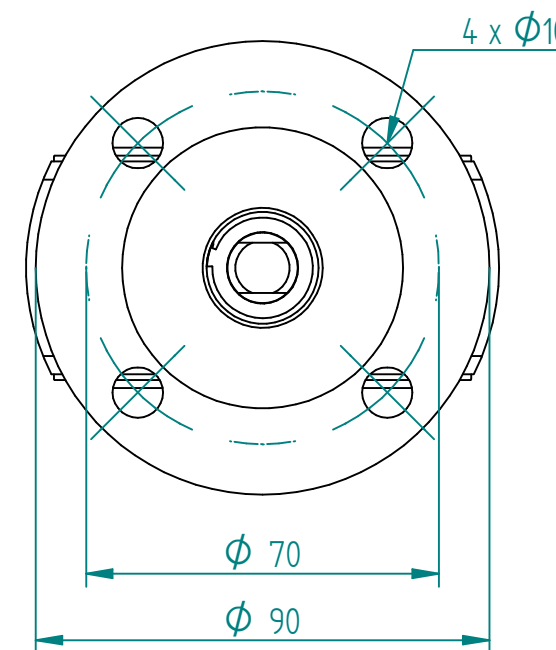
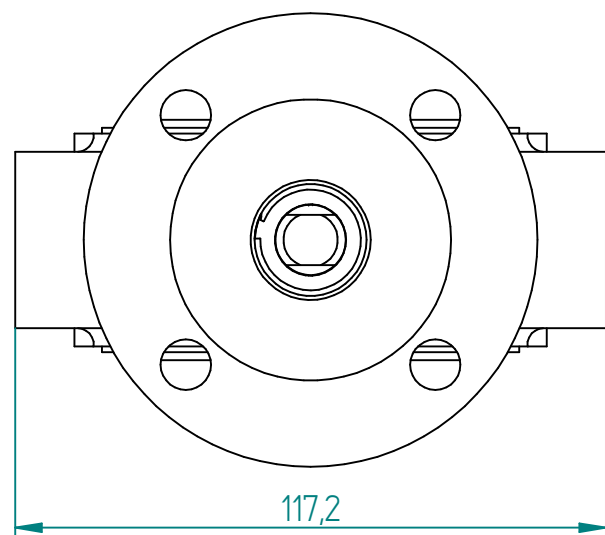


No.	Part Name	Material	Qty.
1	Body	Ductile Iron	1
2	Disc	Nylon 11 Coated Ductile Iron	1
3	Stem	416 Stainless Steel	1
4	Seat	FKM (Viton)	1



1:1,5 Top Plate



		NAME	DATE	SIZE	DWG NO
DRAWN		MOTO	26.03.2018	A3	BRA80813
CHECKED		TOCO	dd.mm.yyyy	FILE NAME: BRA80813.dft	
ENG APPR		TOCO	dd.mm.yyyy	SCALE: 1:1,5	REV:
MGR APPR		TOCO	dd.mm.yyyy	WEIGHT: 3,00 kg	SHEET: 1 OF 1

UNLESS OTHERWISE SPECIFIED DIMENSIONS ARE IN MILLIMETERS AND TOLERANCES ARE +/-0,5

REV	DESCRIPTION	DATE	APPROVED
REVISION HISTORY			

TITLE BUTTERFLY VALVE BRAY S31/3G9 COCENTRIC LUG 2" PN10