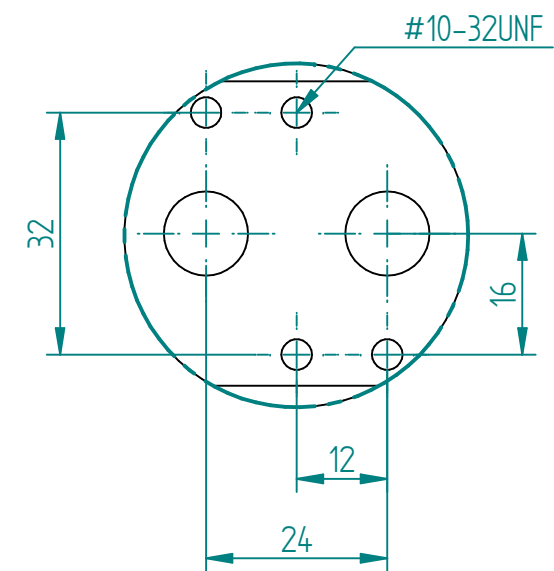
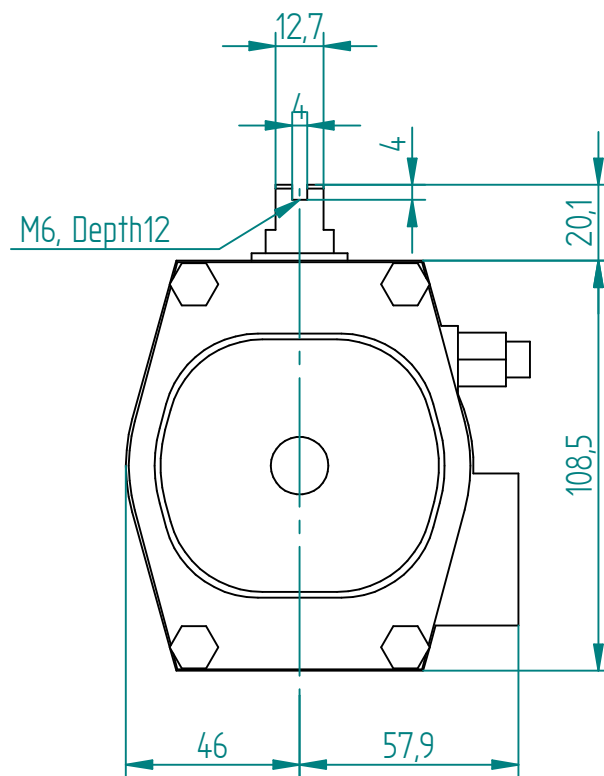
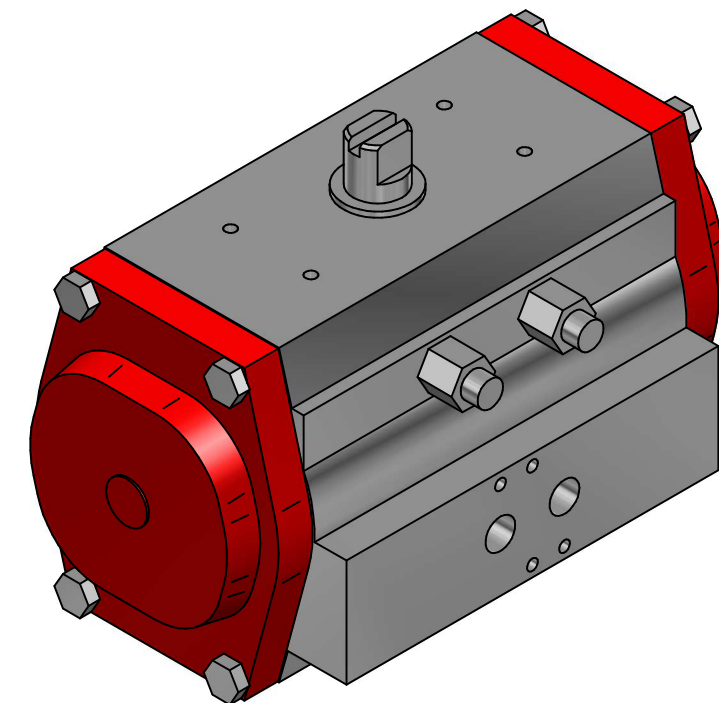


#10-32UNF



DETAIL A 1:1  
NAMUR SOLENOID MOUNTING



TITLE PNEUMATIC ACTUATOR S92DA-83  
F05 | F07 | DD 13 x 19

	NAME	DATE	SIZE	DWG NO
DRAWN	MOTO	12.11.2014	A3	BRA80002
CHECKED	TOCO	12.11.2014	FILE NAME: BRA80002.dft	
ENG APPR	TOCO	12.11.2014	SCALE: 1:2	REV: .....
MGR APPR	TOCO	12.11.2014	WEIGHT:	SHEET: 1 OF 1

UNLESS OTHERWISE SPECIFIED DIMENSIONS ARE IN MILLIMETERS AND TOLERANCES ARE +/-0,5

REV	DESCRIPTION	DATE	APPROVED
REVISION HISTORY			