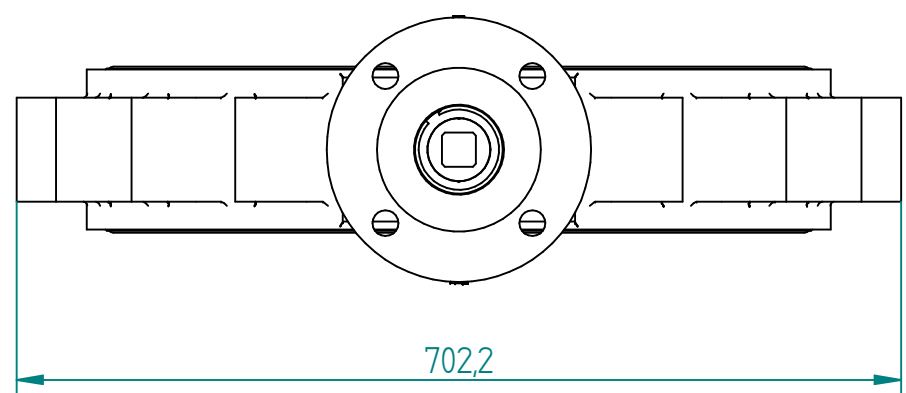
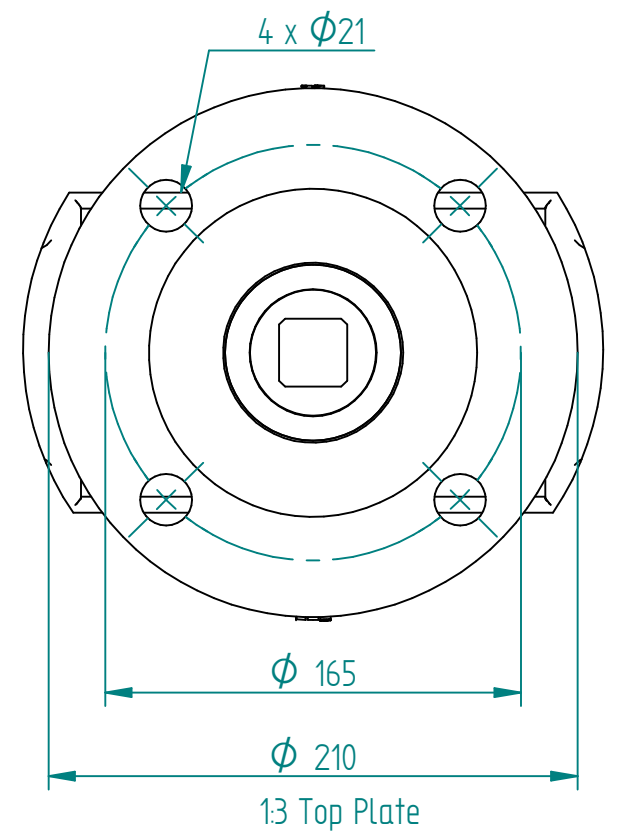
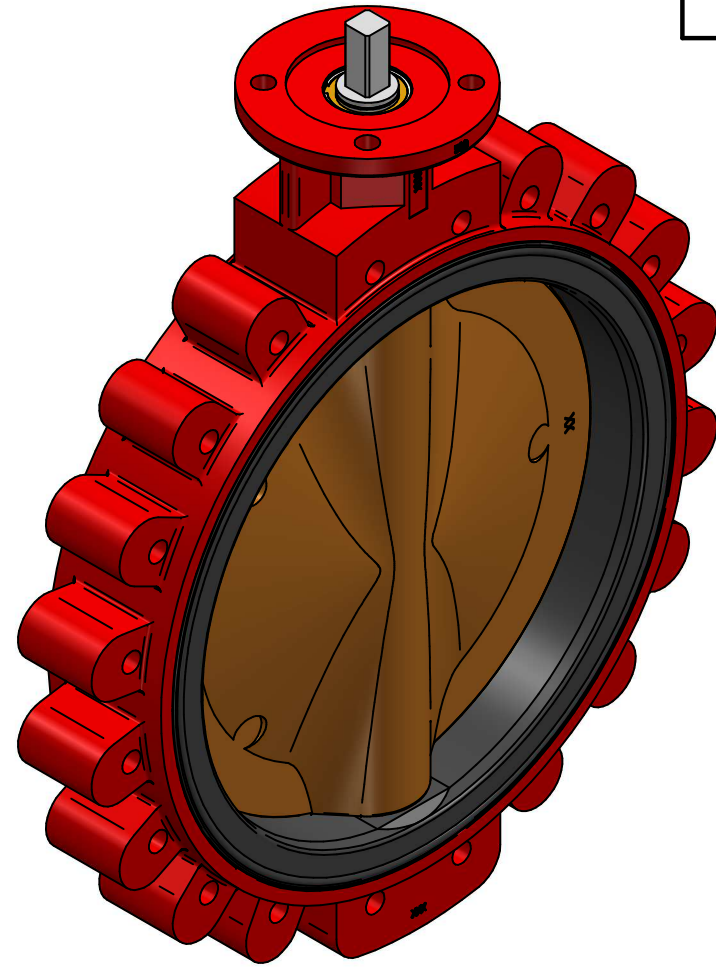
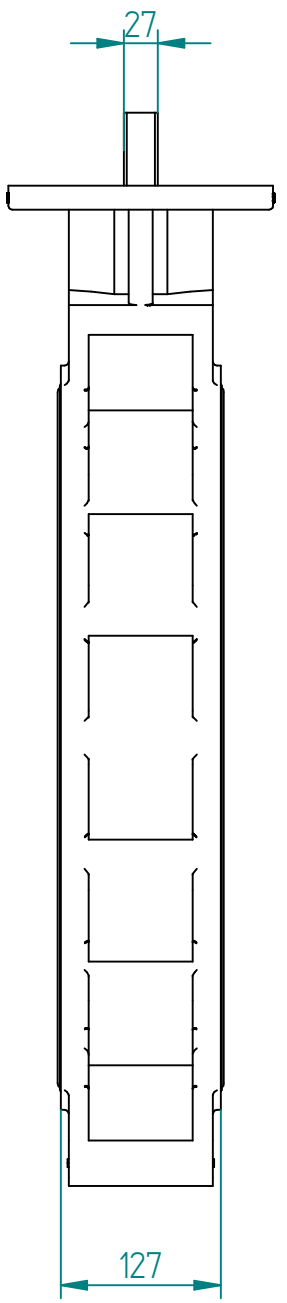
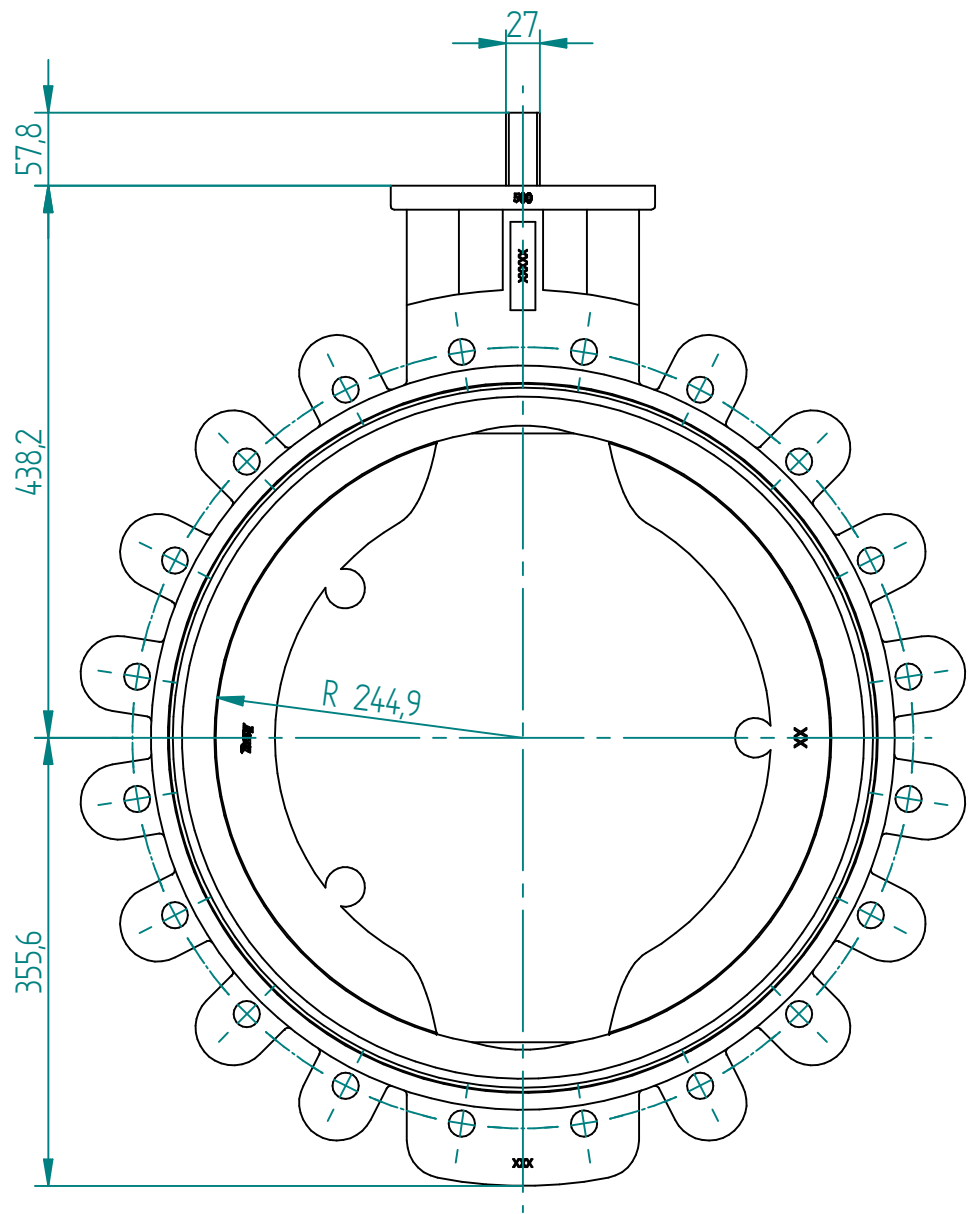



No.	Part Name	Material	Qty.
1	Body	Cast Iron	1
2	Disc	Aluminum Bronze	1
3	Stem	Stainless Steel	1
4	Seat	BUNA-N	1



	NAME	MOTO	DATE	06.08.2014	SIZE	A3	DWG NO	BRA16500C
	DRAWN	MOTO	06.08.2014	FILE NAME:	BRA16500C.dft			
	CHECKED	TOCO	06.08.2014	SCALE:	1:6	REV:	.....	
	ENG APPR	TOCO	dd.mm.yyyy	WEIGHT:	138,0 kg			
	MGR APPR	TOCO	dd.mm.yyyy	SHEET:	1 OF 1			

UNLESS OTHERWISE SPECIFIED DIMENSIONS ARE IN MILLIMETERS AND TOLERANCES ARE +/-0,5

REV	DESCRIPTION	DATE	APPROVED
REVISION HISTORY			

TITLE BUTTERFLY VALVE BRAY S31/117 U/C DISC COCENTRIC LUG 20" PN10