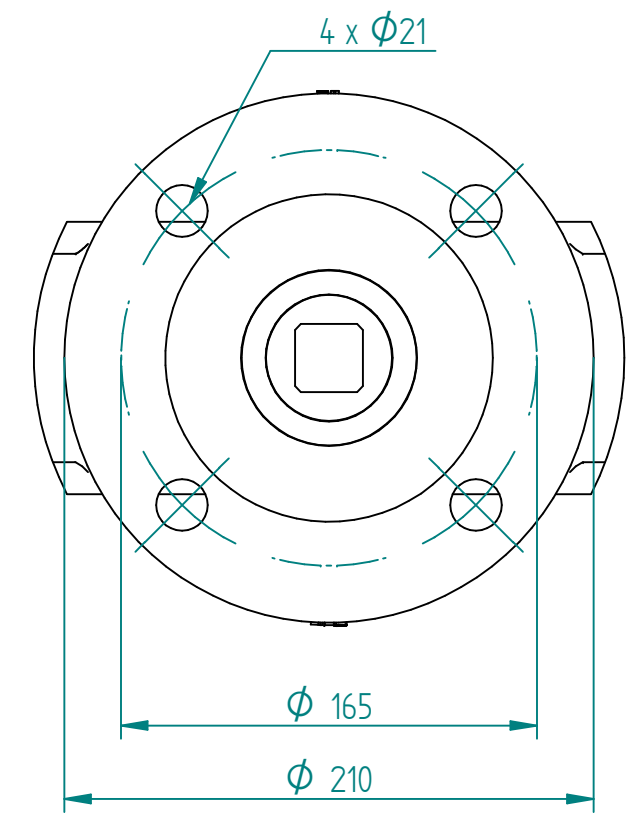
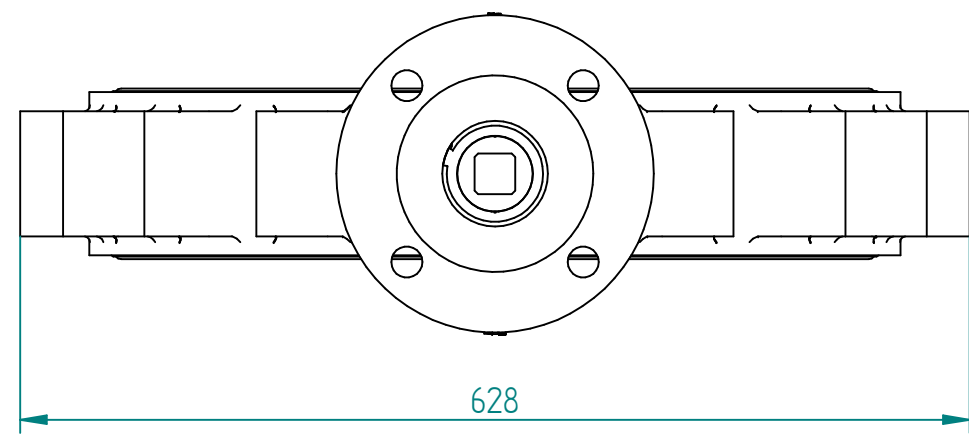


No.	Part Name	Material	Qty.
1	Body	Ductile Iron	1
2	Disc	Aluminum Bronze	1
3	Stem	Stainless Steel	1
4	Seat	BUNA-N	1



1:3 Top Plate



DRAWN	NAME	DATE	SIZE	DWG NO
CHECKED	TOCO	dd.mm.yyyy	FILE NAME: BRA16450.dft	
ENG APPR	TOCO	dd.mm.yyyy	SCALE: 1:5	REV:
MGR APPR	TOCO	dd.mm.yyyy	WEIGHT: 103,0 kg	SHEET: 1 OF 1

UNLESS OTHERWISE SPECIFIED DIMENSIONS ARE IN MILLIMETERS AND TOLERANCES ARE +/-0,5

TITLE BUTTERFLY VALVE BRAY S31/35U U/C DISC COCENTRIC LUG 18" PN10

REV	DESCRIPTION	DATE	APPROVED
REVISION HISTORY			