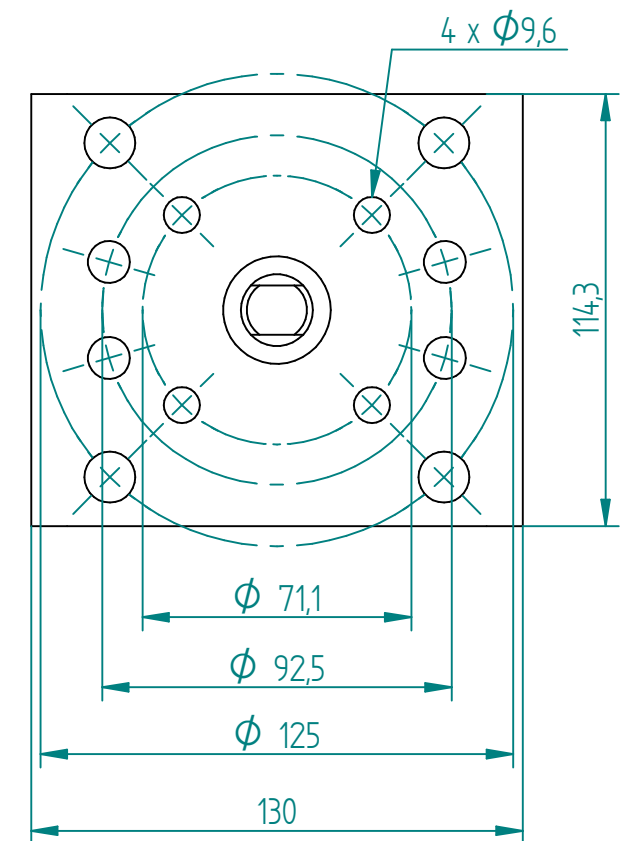
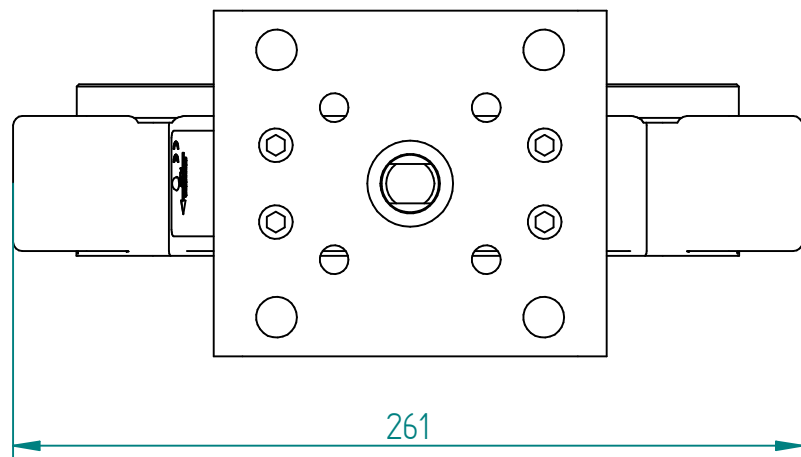


No.	Part Name	Material	Qty.
1	Body	Stainless Steel	1
2	Disc	Stainless Steel	1
3	Stem	17-4ph SS	1
4	Seat	RTFE	1



1:2 Mounting Plate



		NAME	DATE	SIZE	DWG NO
DRAWN		MOTO	05.08.2014	A3	BRA02439D
CHECKED		TOCO	dd.mm.yyyy	FILE NAME: BRA02439D.dft	
ENG APPR		TOCO	dd.mm.yyyy	SCALE: 1:2,5	REV:
MGR APPR		TOCO	dd.mm.yyyy	WEIGHT: 21,00 kg	SHEET: 1 OF 1

UNLESS OTHERWISE SPECIFIED DIMENSIONS ARE IN MILLIMETERS AND TOLERANCES ARE +/-0,5

REV	DESCRIPTION	DATE	APPROVED
REVISION HISTORY			

TITLE BUTTERFLY VALVE BRAY S41/01R DOUBLE ECCENTRIC LUG 6" ANSI 150