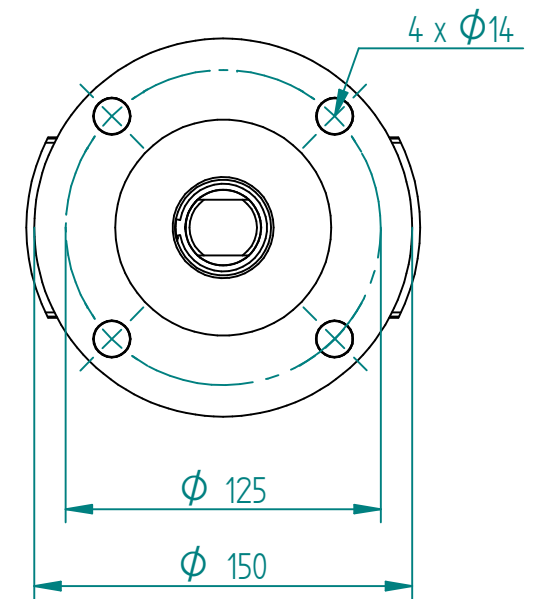
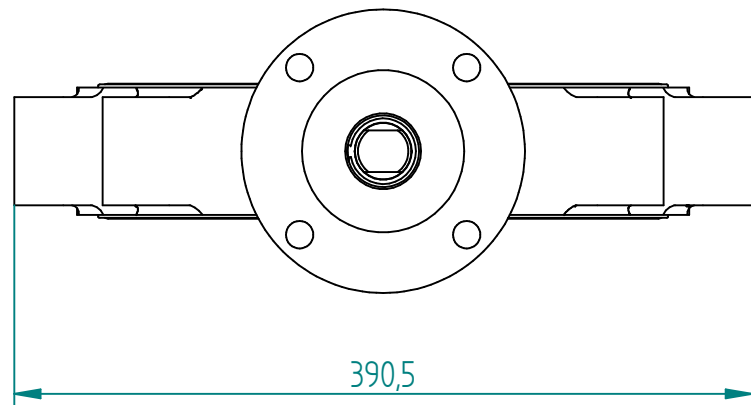
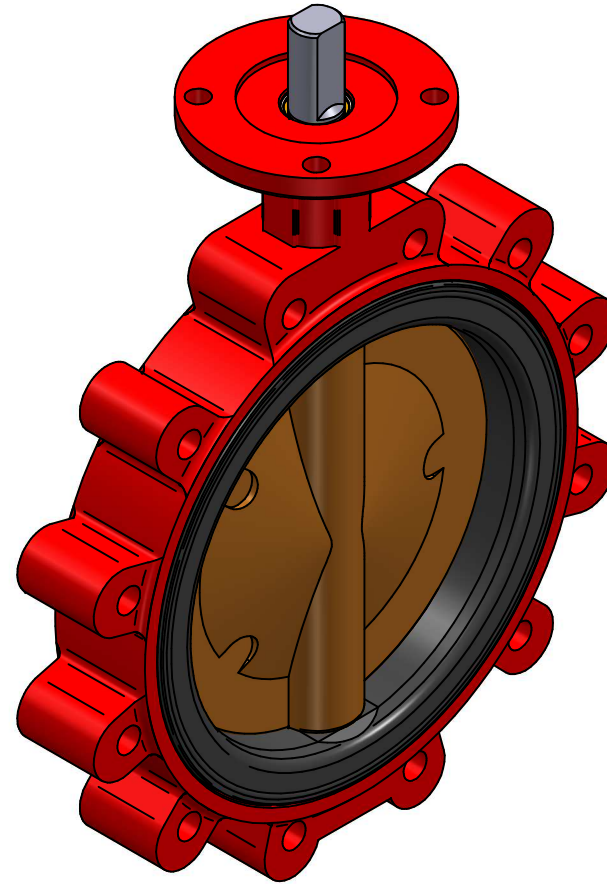
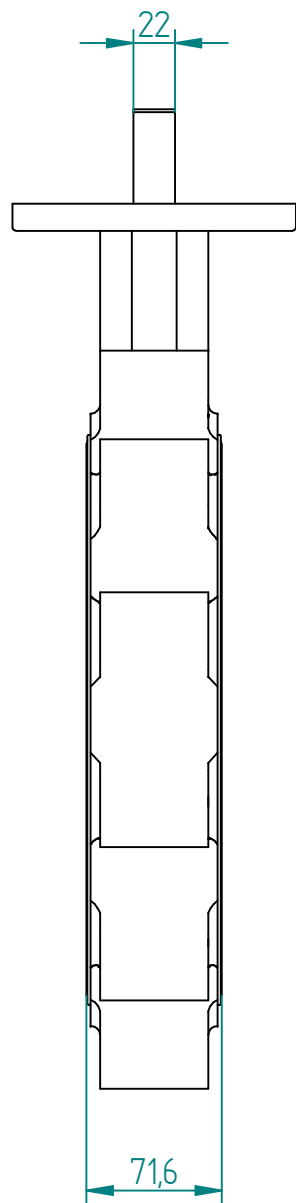
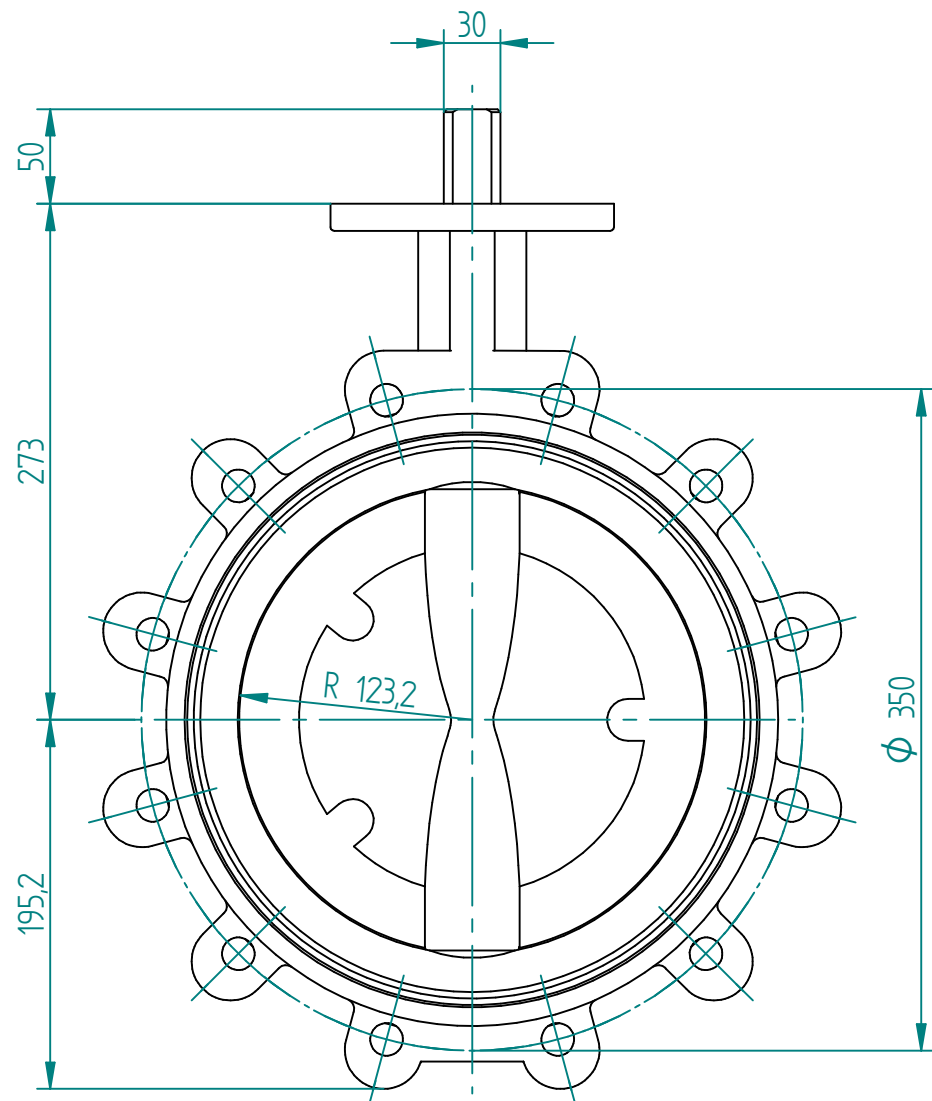



No.	Part Name	Material	Qty.
1	Body	Ductile Iron	1
2	Disc	Aluminum Bronze	1
3	Stem	Stainless Steel	1
4	Seat	BUNA-N	1



1:3 Top Plate

	NAME	MOTO	DATE	05.08.2014	SIZE	A3	DWG NO	BRA01509	UNLESS OTHERWISE SPECIFIED DIMENSIONS ARE IN MILLIMETERS AND TOLERANCES ARE +/-0,5	<table border="1"> <thead> <tr> <th>REV</th> <th>DESCRIPTION</th> <th>DATE</th> <th>APPROVED</th> </tr> </thead> <tbody> <tr> <td colspan="4">REVISION HISTORY</td> </tr> </tbody> </table>	REV	DESCRIPTION	DATE	APPROVED	REVISION HISTORY			
	REV	DESCRIPTION	DATE	APPROVED														
	REVISION HISTORY																	
	DRAWN	TOCO	dd.mm.yyyy	FILE NAME:	BRA01509.dft	SCALE:	1:4	REV:			.....							
CHECKED	TOCO	dd.mm.yyyy	WEIGHT:	30,00 kg	SHEET:	1 OF 1												
ENG APPR	TOCO	dd.mm.yyyy																
MGR APPR	TOCO	dd.mm.yyyy																
TITLE BUTTERFLY VALVE BRAY S31/T317/35V COCENTRIC LUG 10" PN10																		