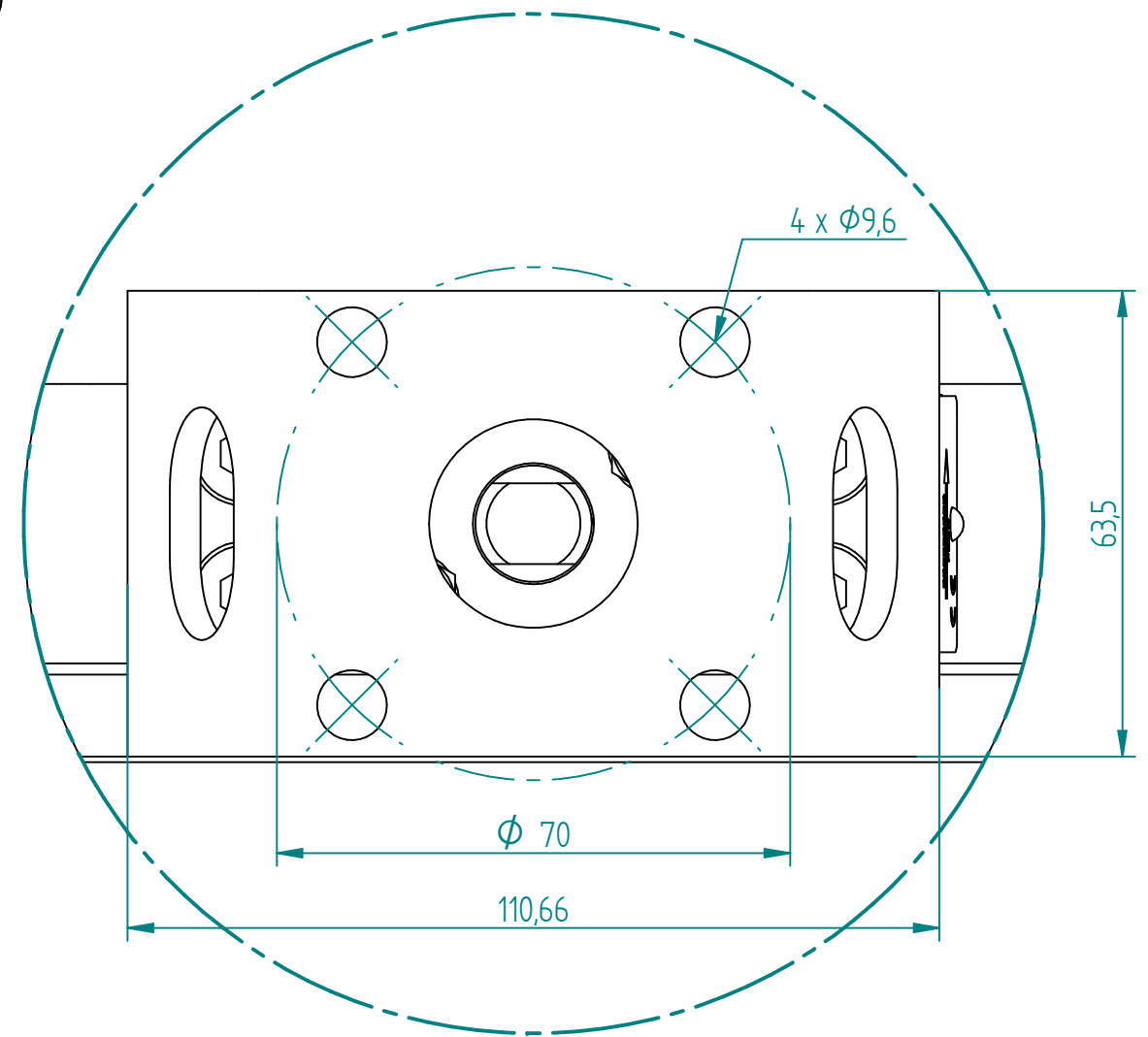
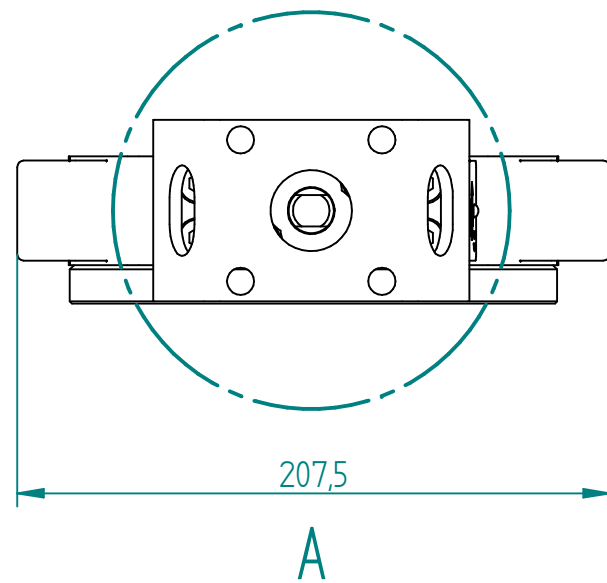
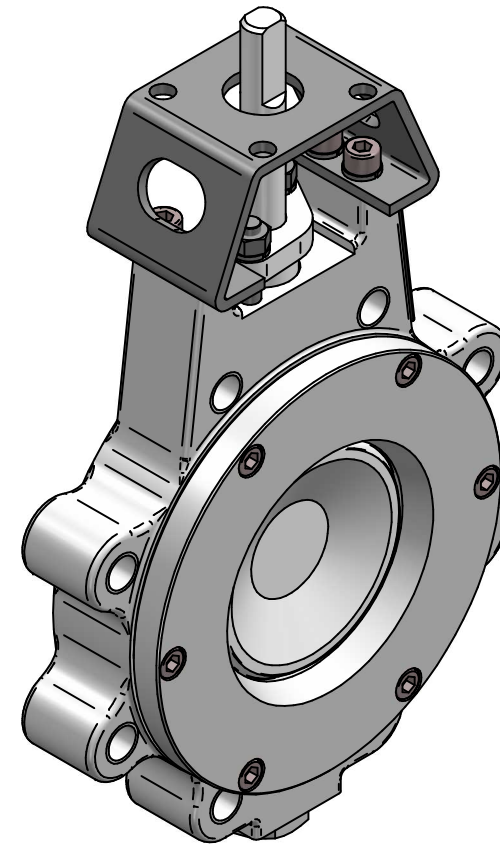
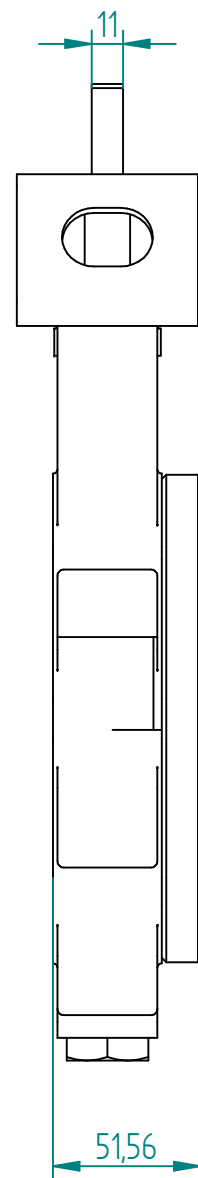
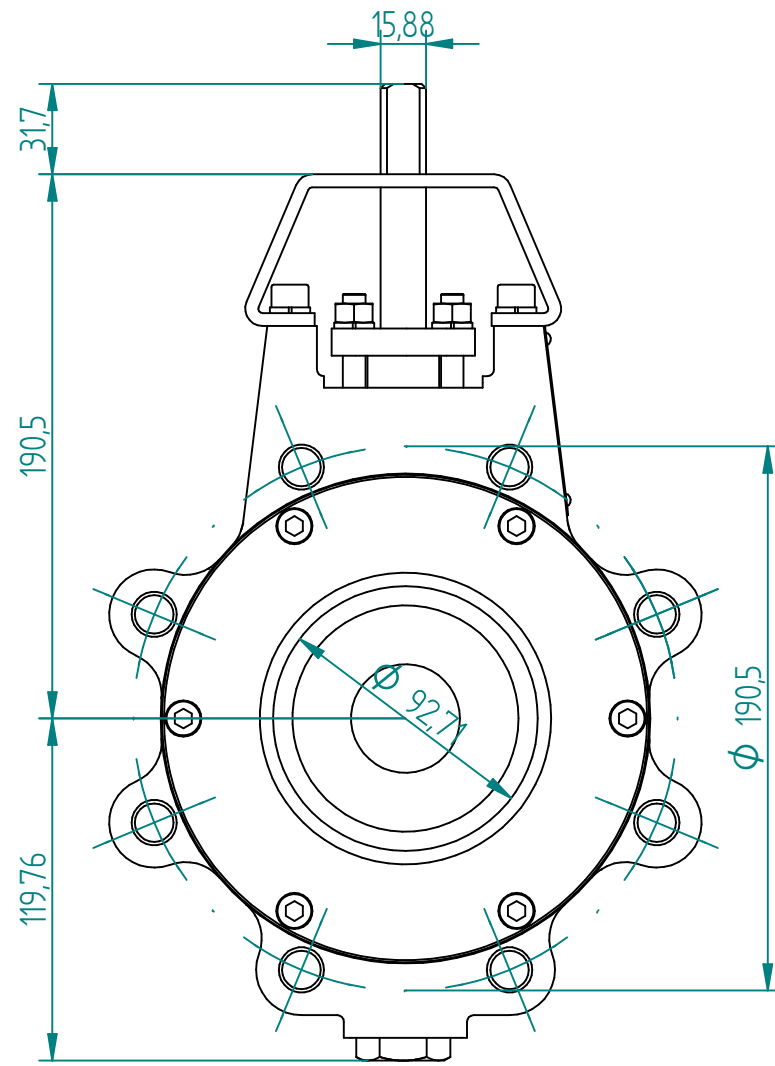


| No. | Part Name | Material | Qty. |
|-----|-----------|----------------|------|
| 1 | Body | SS316 | 1 |
| 2 | Disc | SS316 | 1 |
| 3 | Stem | SS316 | 1 |
| 4 | Seat | RTFE / Inconel | 1 |



DETAIL A



| DRAWN | NAME | DATE | SIZE | DWG NO |
|----------|------|------------|-------------------------|---------------|
| | MOTO | 09.03.2018 | A3 | BRA00508 |
| CHECKED | TOCO | 09.03.2018 | FILE NAME: BRA00508.dft | |
| ENG APPR | TOCO | 09.03.2018 | SCALE: 1:2,65 | REV: |
| MGR APPR | TOCO | 09.03.2018 | WEIGHT: | SHEET: 1 OF 1 |

TITLE BUTTERFLY VALVE S41 T01S
ND100 PN16 LUG FIRESAFE

UNLESS OTHERWISE SPECIFIED DIMENSIONS ARE IN MILLIMETERS AND TOLERANCES ARE +/-0,5

| REV | DESCRIPTION | DATE | APPROVED |
|------------------|-------------|------|----------|
| REVISION HISTORY | | | |