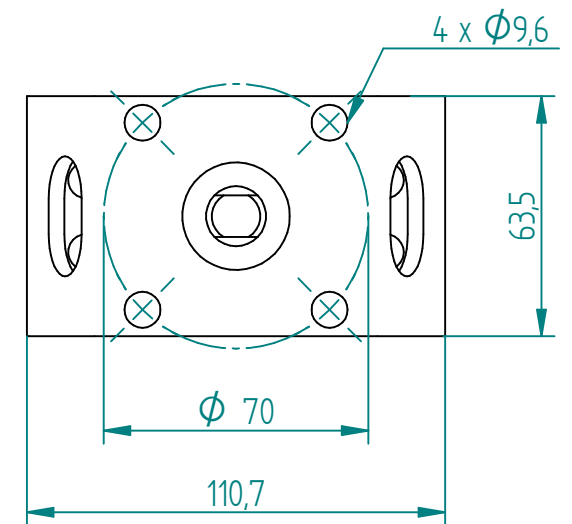
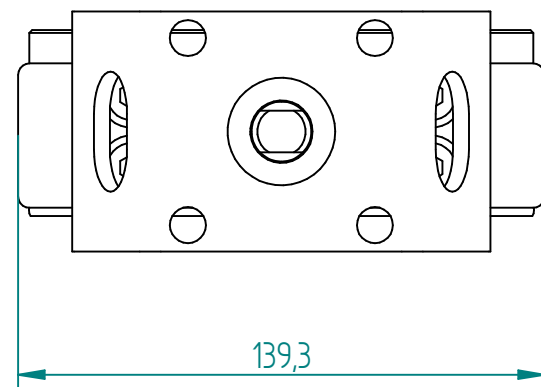
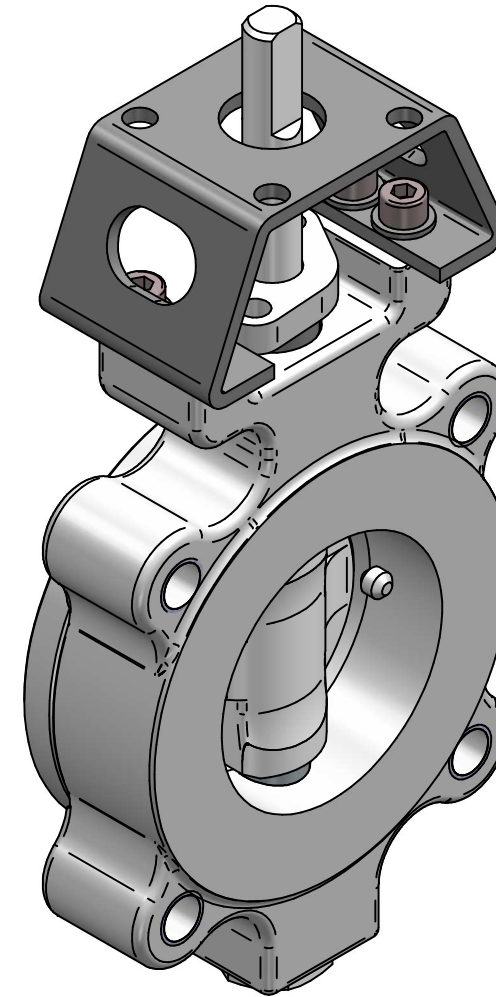


No.	Part Name	Material	Qty.
1	Body	Duplex, ASTM A995 5A	1
2	Disc	Duplex, ASTM A995 5A	1
3	Stem	Duplex, ASTM A182 F53	1
4	Seat	RTFE / Inconel	1



1:2 Mounting Plate

		NAME	DATE	SIZE	DWG NO
	DRAWN	MOTO	05.08.2014	A3	BRA00422
	CHECKED	TOCO	dd.mm.yyyy	FILE NAME: BRA00422.dft	
	ENG APPR	TOCO	dd.mm.yyyy	SCALE: 1:2	REV:
TITLE	BUTTERFLY VALVE BRAY S41/02A DOUBLE ECCENTRIC LUG 3" ANSI 150	MGR APPR	TOCO	dd.mm.yyyy	WEIGHT: 7,00 kg
					SHEET: 1 OF 1

UNLESS OTHERWISE SPECIFIED DIMENSIONS ARE IN MILLIMETERS AND TOLERANCES ARE +/-0,5

REV	DESCRIPTION	DATE	APPROVED
REVISION HISTORY			