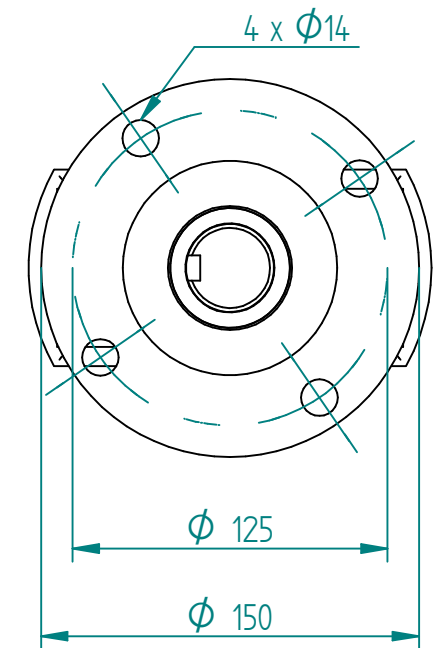
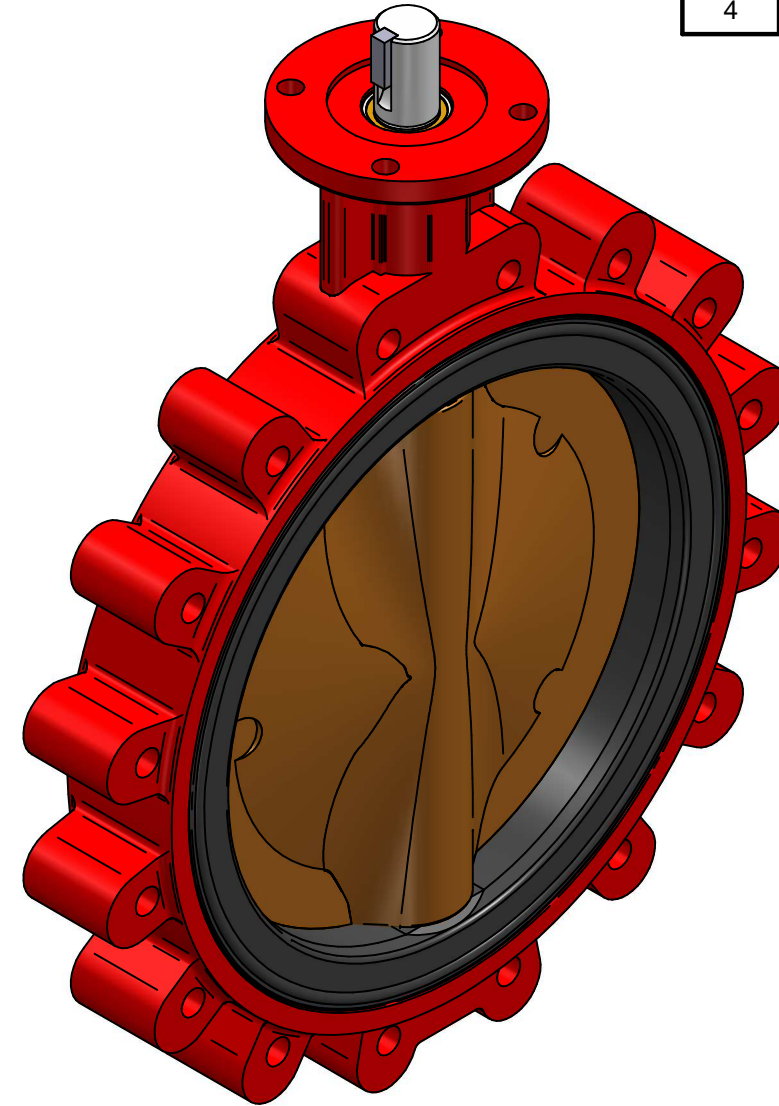
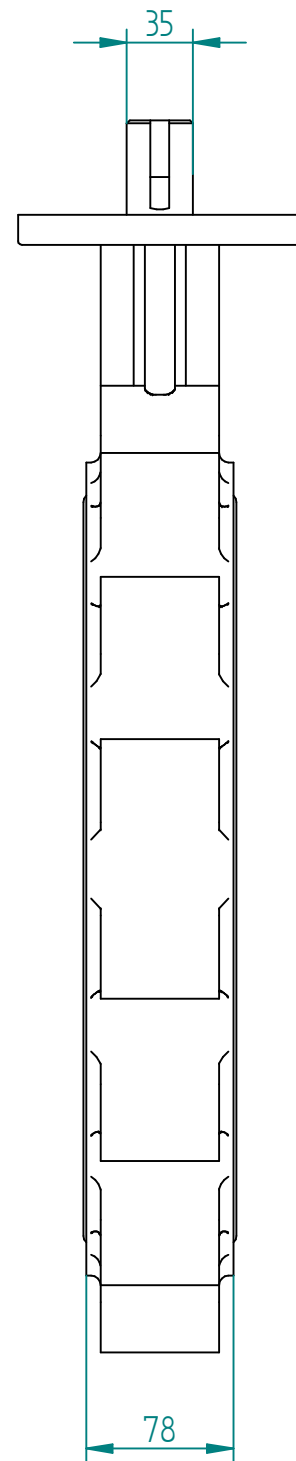
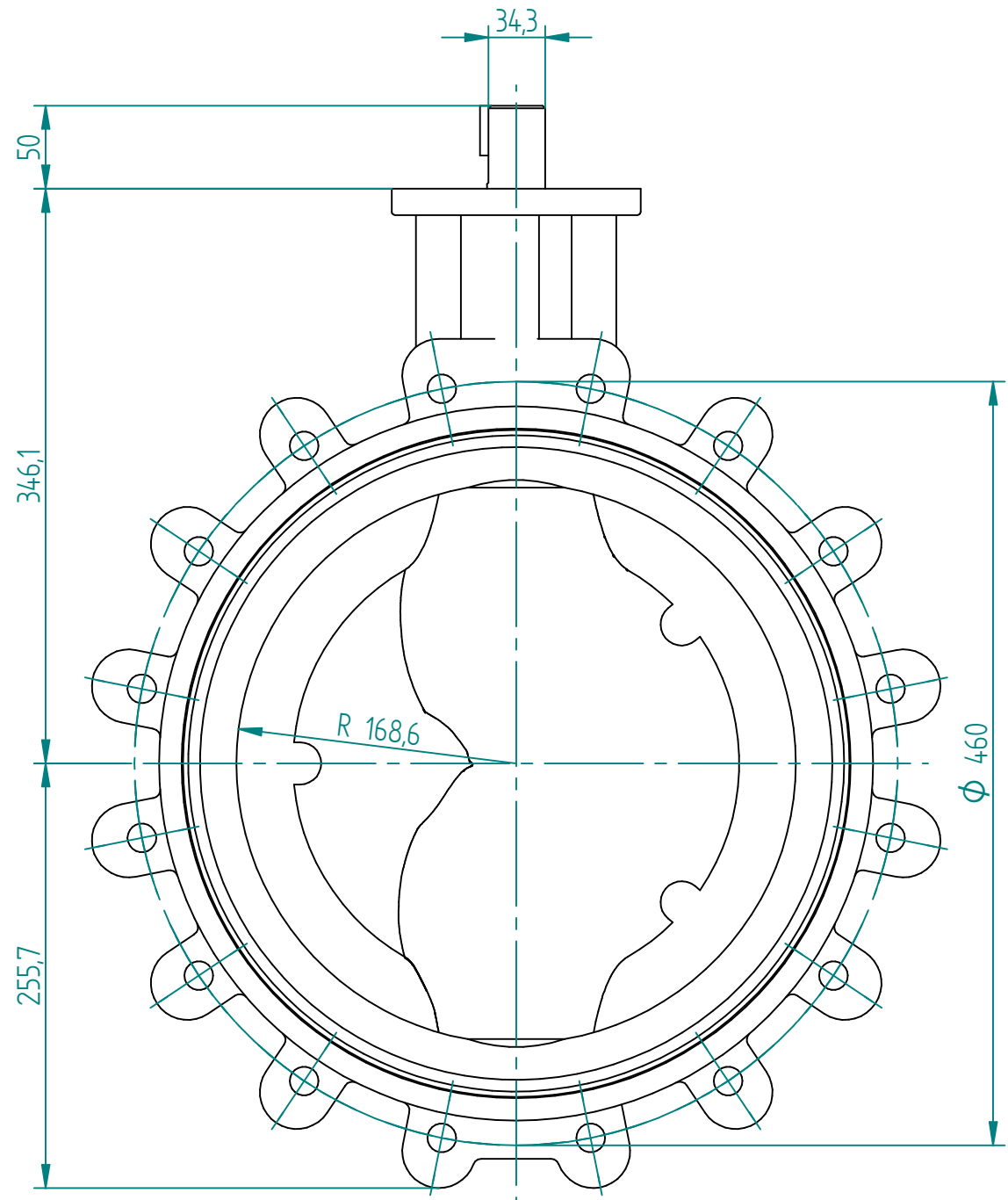
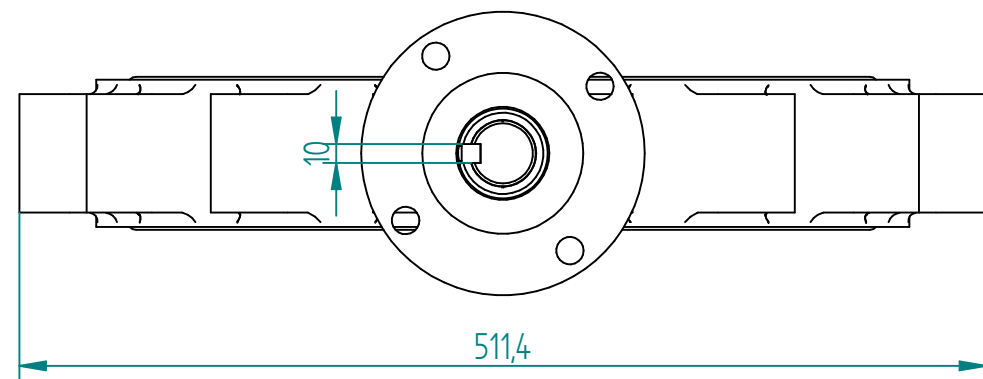


No.	Part Name	Material	Qty.
1	Body	Cast Iron	1
2	Disc	Aluminum Bronze	1
3	Stem	Stainless Steel	1
4	Seat	BUNA-N	1



1:3 Top Plate



		NAME	DATE	SIZE	DWG NO
TITLE	DRAWN	MOTO	06.08.2014	A3	BRA00213
	CHECKED	TOCO	dd.mm.yyyy	FILE NAME: S31-DN350.dft	
	ENG APPR	TOCO	dd.mm.yyyy	SCALE: 1:4	REV:
	MGR APPR	TOCO	dd.mm.yyyy	WEIGHT: 52,0 kg	SHEET: 1 OF 1

UNLESS OTHERWISE SPECIFIED DIMENSIONS ARE IN MILLIMETERS AND TOLERANCES ARE +/-0,5

REV	DESCRIPTION	DATE	APPROVED
REVISION HISTORY			

BUTTERFLY VALVE BRAY S31/684
COCENTRIC LUG 14" PN10