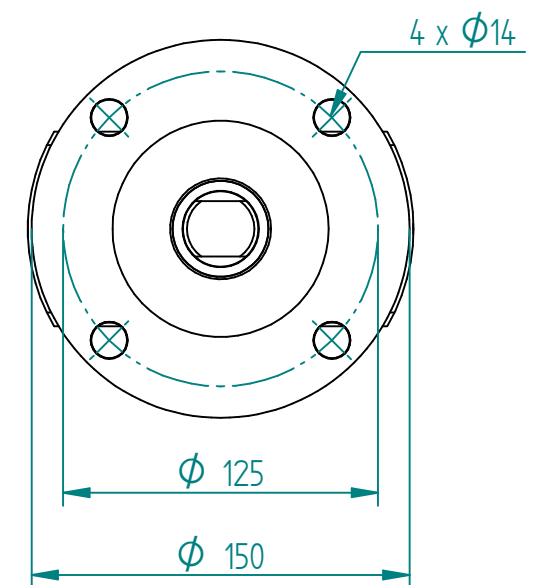
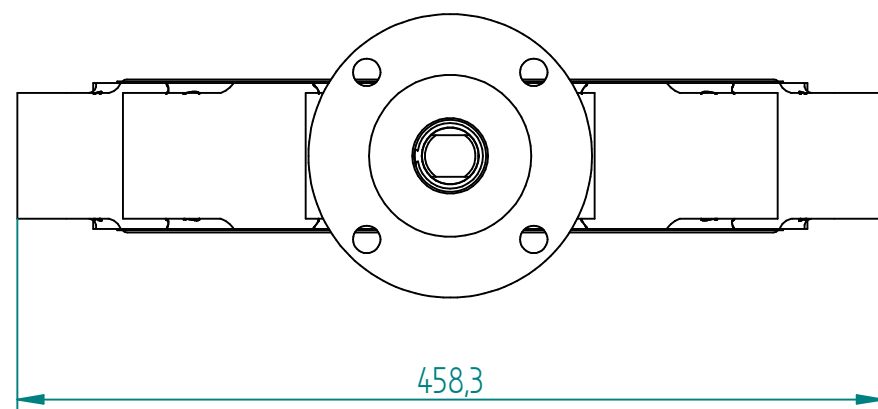


No.	Part Name	Material	Qty.
1	Body	Cast Iron	1
2	Disc	Aluminum Bronze	1
3	Stem	Stainless Steel	1
4	Seat	BUNA-N	1



1:3 Top Plate



TITLE	NAME		DATE	SIZE	DWG NO
	DRAWN	MOTO	06.08.2014	A3	BRA00212
	CHECKED	TOCO	dd.mm.yyyy	FILE NAME: S31-DN300.dft	
	ENG APPR	TOCO	dd.mm.yyyy	SCALE: 1:4	REV:
MGR APPR	TOCO	dd.mm.yyyy	WEIGHT: 40,0 kg	SHEET: 1 OF 1	

UNLESS OTHERWISE SPECIFIED DIMENSIONS ARE IN MILLIMETERS AND TOLERANCES ARE +/-0,5

REV	DESCRIPTION	DATE	APPROVED
REVISION HISTORY			

BUTTERFLY VALVE BRAY S31/684 COCENTRIC LUG 12" PN10