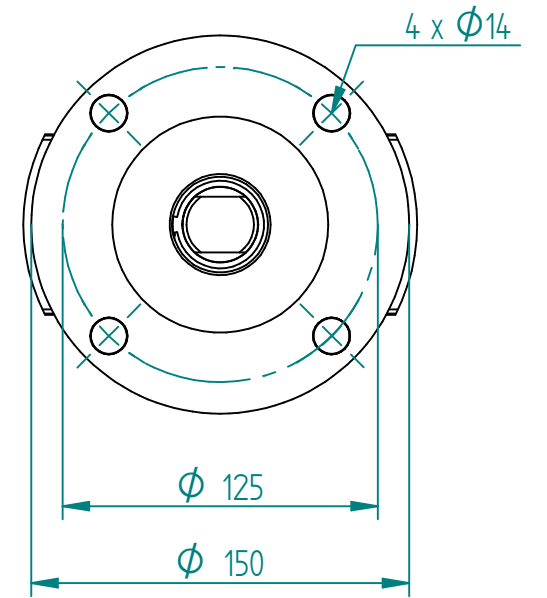
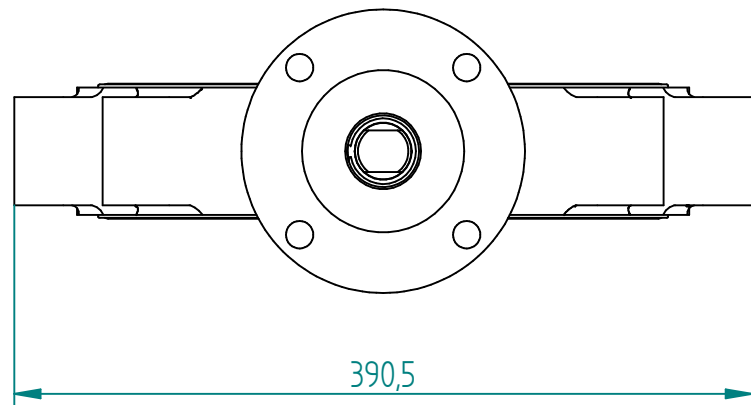
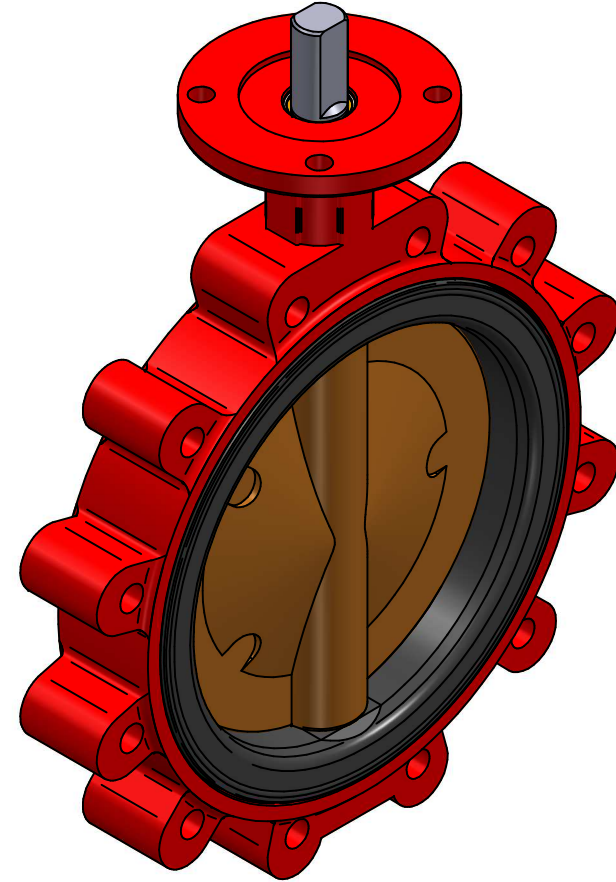
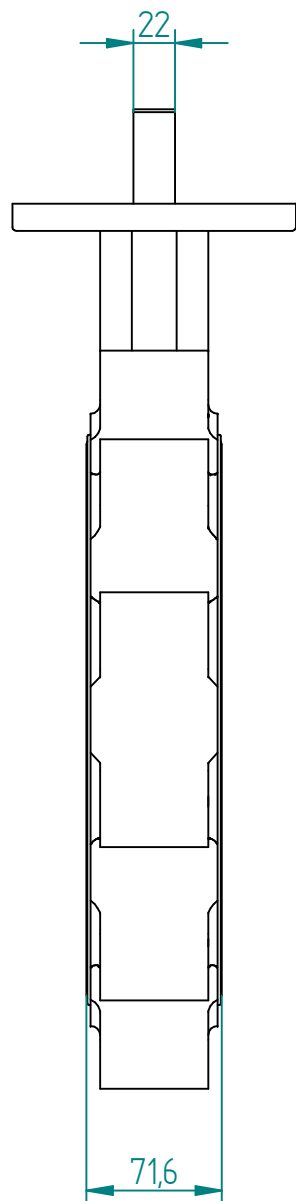
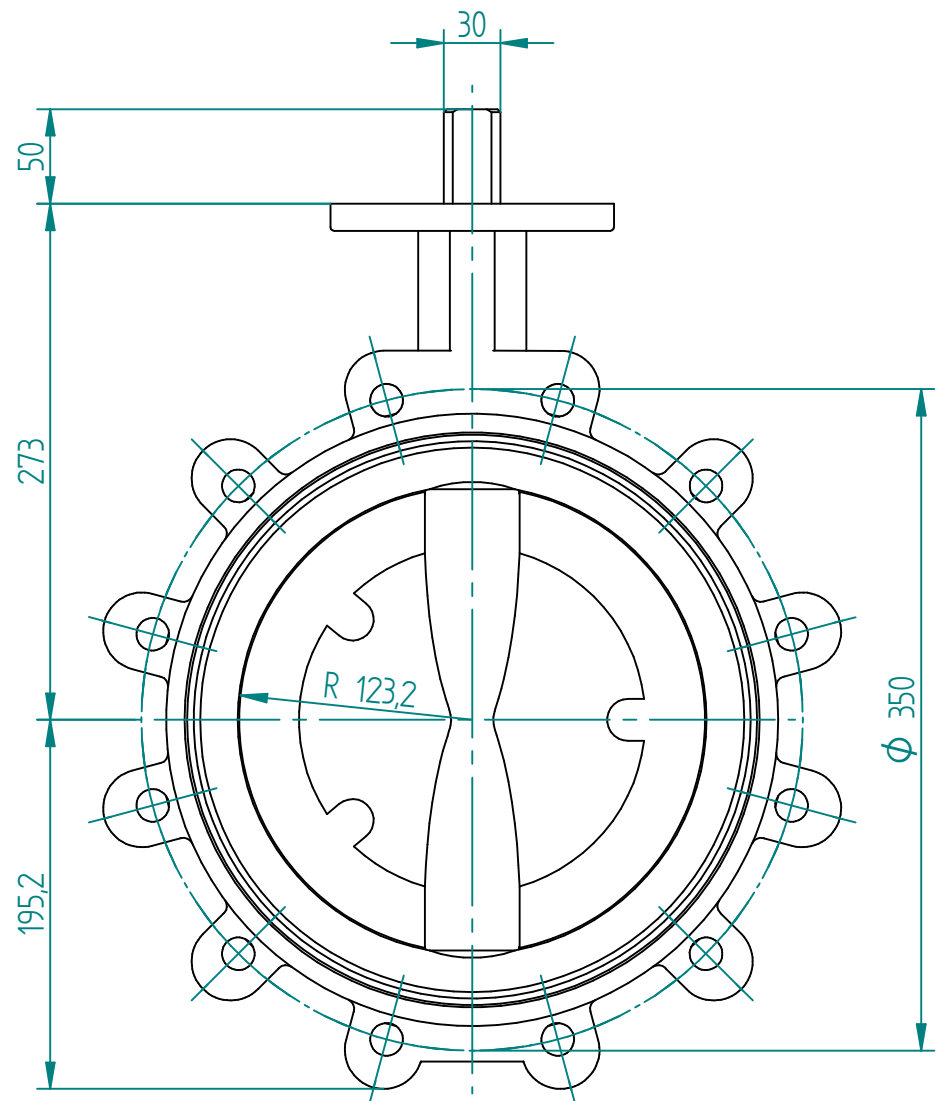



No.	Part Name	Material	Qty.
1	Body	Cast Iron	1
2	Disc	Aluminum Bronze	1
3	Stem	Stainless Steel	1
4	Seat	BUNA-N	1



1:3 Top Plate

		NAME	DATE	SIZE	DWG NO
	DRAWN	MOTO	05.08.2014	<b>A3</b>	BRA00211
	CHECKED	TOCO	dd.mm.yyyy	FILE NAME: BRA00211.dft	
	ENG APPR	TOCO	dd.mm.yyyy	SCALE: 1:4	REV: .....
	MGR APPR	TOCO	dd.mm.yyyy	WEIGHT: 30,00 kg	SHEET: 1 OF 1

UNLESS OTHERWISE SPECIFIED DIMENSIONS ARE IN MILLIMETERS AND TOLERANCES ARE +/-0,5

REV	DESCRIPTION	DATE	APPROVED
REVISION HISTORY			

TITLE BUTTERFLY VALVE BRAY S31/684 COCENTRIC LUG 10" PN10