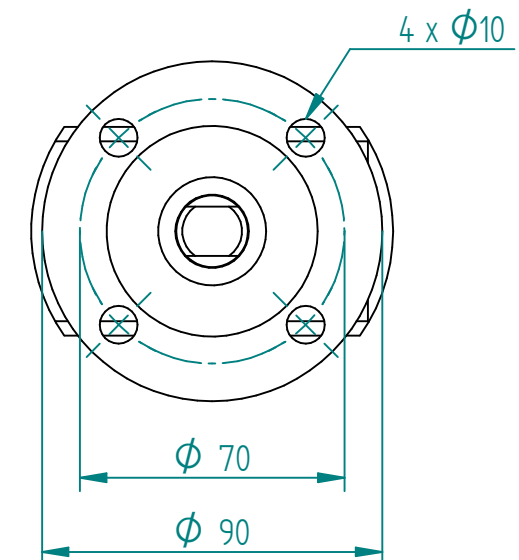
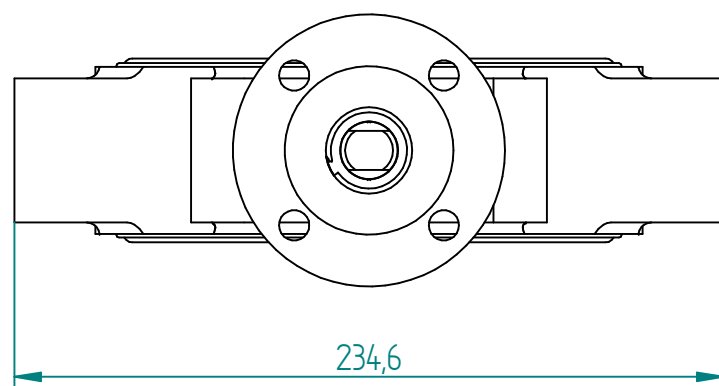


No.	Part Name	Material	Qty.
1	Body	Ductile Iron	1
2	Disc	Aluminum Bronze	1
3	Stem	Stainless Steel	1
4	Seat	BUNA-N	1



1:2 Top Plate



TITLE	NAME		DATE	SIZE	DWG NO	UNLESS OTHERWISE SPECIFIED DIMENSIONS ARE IN MILLIMETERS AND TOLERANCES ARE +/-0,5
	DRAWN	MOTO	06.08.2014	A3	BRA00204	
	CHECKED	TOCO	dd.mm.yyyy	FILE NAME: S31-DN125.dft		
	ENG APPR	TOCO	dd.mm.yyyy	SCALE: 1:2,5	REV:	
MGR APPR	TOCO	dd.mm.yyyy	WEIGHT: 9,0 kg	SHEET: 1 OF 2		

REV	DESCRIPTION	DATE	APPROVED
REVISION HISTORY			

BUTTERFLY VALVE BRAY S31/T35V
COCENTRIC LUG 5" PN10