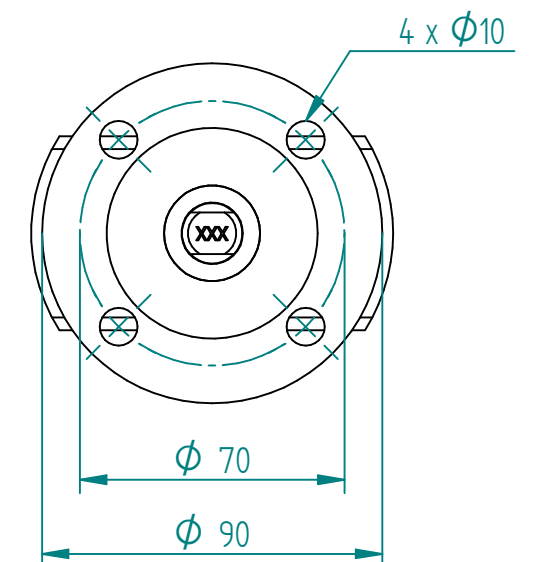
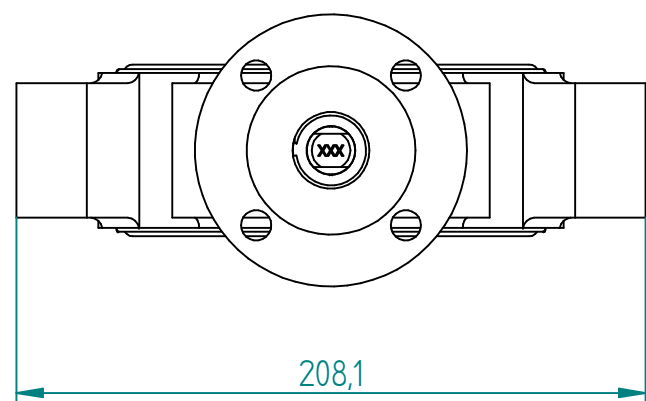


No.	Part Name	Material	Qty.
1	Body	Ductile Iron	1
2	Disc	Aluminum Bronze	1
3	Stem	Stainless Steel	1
4	Seat	BUNA-N	1



1:2 Top Plate



DRAWN	NAME	DATE	SIZE	DWG NO
	MOTO	06.08.2014	A3	BRA00203
CHECKED	TOCO	dd.mm.yyyy	FILE NAME: S31-DN100.dft	
ENG APPR	TOCO	dd.mm.yyyy	SCALE: 1:2,5	REV: .....
MGR APPR	TOCO	dd.mm.yyyy	WEIGHT: 7,0 kg	SHEET: 1 OF 3

UNLESS OTHERWISE SPECIFIED DIMENSIONS ARE IN MILLIMETERS AND TOLERANCES ARE +/-0,5

REV	DESCRIPTION	DATE	APPROVED
REVISION HISTORY			

TITLE BUTTERFLY VALVE BRAY S31/T35V COCENTRIC LUG 4" PN10