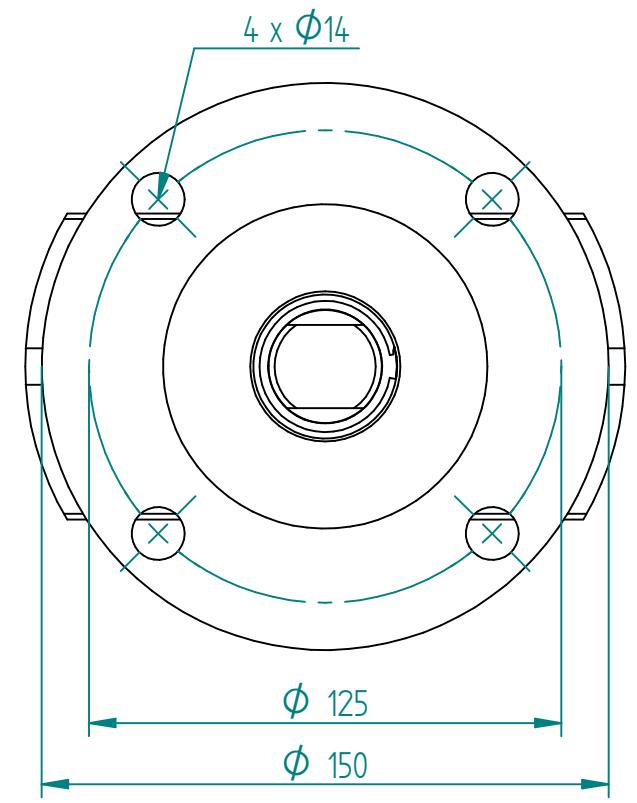
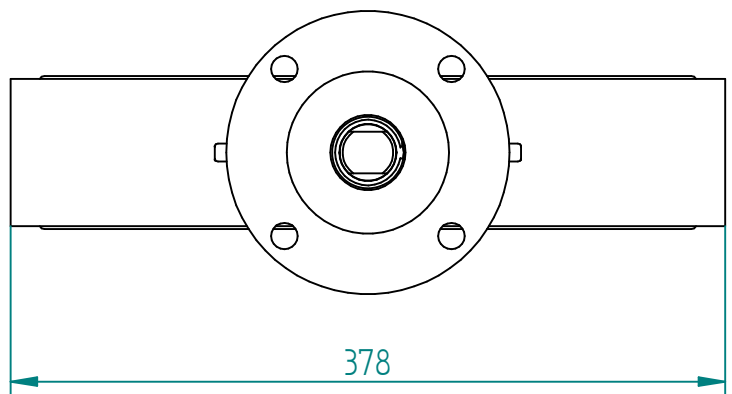


No.	Part Name	Material	Qty.
1	Body	Cast Iron	1
2	Disc	Aluminum Bronze	1
3	Stem	Stainless Steel	1
4	Seat	BUNA-N	1



1:2 Top Plate



TITLE BUTTERFLY VALVE BRAY S30/684 COCENTRIC WAFER 12" PN10	NAME MOTO	DATE 11.08.2014	SIZE A3	DWG NO BRA00112	UNLESS OTHERWISE SPECIFIED DIMENSIONS ARE IN MILLIMETERS AND TOLERANCES ARE +/-0,5
	DRAWN TOCO	DATE 11.08.2014	FILE NAME: BRA00112.dft		
	ENG APPR TOCO	DATE dd.mm.yyyy	SCALE: 1:4	REV:	
	MGR APPR TOCO	DATE dd.mm.yyyy	WEIGHT: 30,0 kg	SHEET: 1 OF 1	

REV	DESCRIPTION	DATE	APPROVED
REVISION HISTORY			