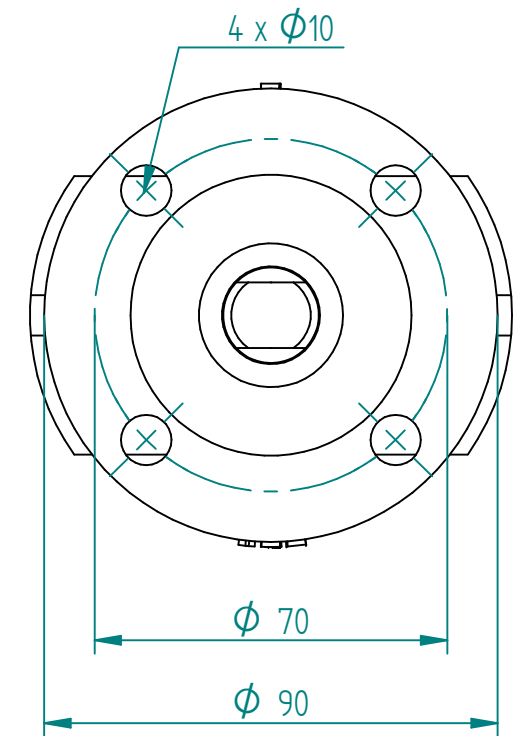


No.	Part Name	Material	Qty.
1	Body	Cast Iron	1
2	Disc	Aluminum Bronze	1
3	Stem	Stainless Steel	1
4	Seat	BUNA-N	1



1:1,5 Top Plate



TITLE BUTTERFLY VALVE BRAY S30/684 COCENTRIC WAFER 5" PN16	NAME MOTO	DATE 08.08.2014	SIZE A3	DWG NO BRA00104	UNLESS OTHERWISE SPECIFIED DIMENSIONS ARE IN MILLIMETERS AND TOLERANCES ARE +/-0,5
	DRAWN MOTO	CHECKED TOCO	FILE NAME: BRA00104.dft	SCALE: 1:2	
	ENG APPR TOCO	MGR APPR TOCO	REVISION REV:	WEIGHT: 6,0 kg	
	SHEET: 1 OF 1				

REV	DESCRIPTION	DATE	APPROVED
REVISION HISTORY			