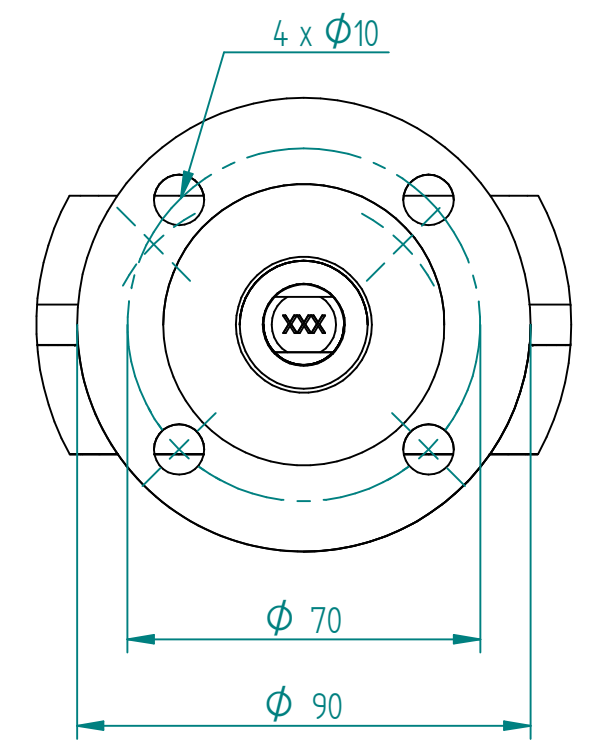


| No. | Part Name | Material | Qty. |
|-----|-----------|-----------------|------|
| 1 | Body | Cast Iron | 1 |
| 2 | Disc | Aluminum Bronze | 1 |
| 3 | Stem | Stainless Steel | 1 |
| 4 | Seat | BUNA-N | 1 |



1:1,5 Top Plate



| | | NAME | DATE | SIZE | DWG NO |
|----------|------|------------|-------------------------|---------------|--------|
| DRAWN | MOTO | 08.08.2014 | A3 | BRA00103 | |
| CHECKED | TOCO | 08.08.2014 | FILE NAME: BRA00103.dft | | |
| ENG APPR | TOCO | dd.mm.yyyy | SCALE: 1:2 | REV: | |
| MGR APPR | TOCO | dd.mm.yyyy | WEIGHT: 5,0 kg | SHEET: 1 OF 1 | |

UNLESS OTHERWISE SPECIFIED DIMENSIONS ARE IN MILLIMETERS AND TOLERANCES ARE +/-0,5

TITLE BUTTERFLY VALVE BRAY S30/684 COCENTRIC WAFER 4" PN16

| REV | DESCRIPTION | DATE | APPROVED |
|------------------|-------------|------|----------|
| REVISION HISTORY | | | |