



Bray®

SERIES 4

TORQUE OUTPUT RANGE:
2,000 - 24,000 lb-in.

GEAR OPERATORS

STAINLESS STEEL FOR SANITARY & CORROSIVE APPLICATIONS

Bray Controls proudly offers the Series 4 Stainless Steel Gear Operator for manual operation of quarter turn valves. The Series 4 is designed with stainless steel housings, input shafts and hand wheels, for service in highly corrosive environments, sanitary, breweries and pharmaceutical applications. The units are suitable for on-off and throttling service.

Series 4 Stainless Steel Gear Operator units have different gear ratios – providing a torque output range of 2,000 to 24,000 lb-in. The temperature range is -4°F (-20°C) to 250°F (120°C).

FEATURES These weatherproof gear operators meet NEMA 4, 4x and IP65 specifications. A self-locking worm and worm gear drive holds the valve in the desired position. All units are permanently lubricated at the factory for smooth, trouble free operation. External mechanical travel stops permit adjustment of valve movement to specific degrees of rotation. Additional features include a readily accessible handwheel and a valve position indicator.

TECHNICAL DATA

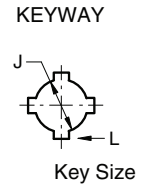
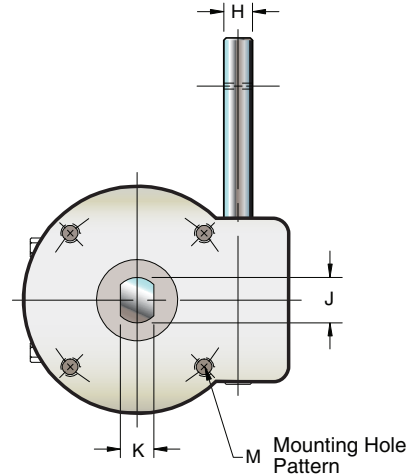
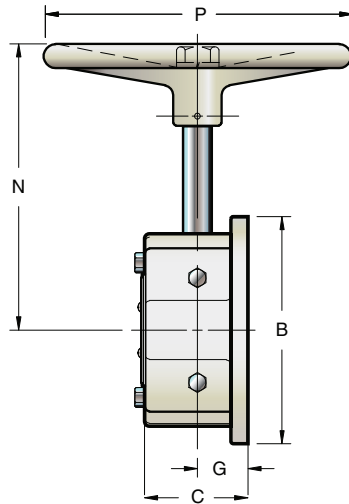
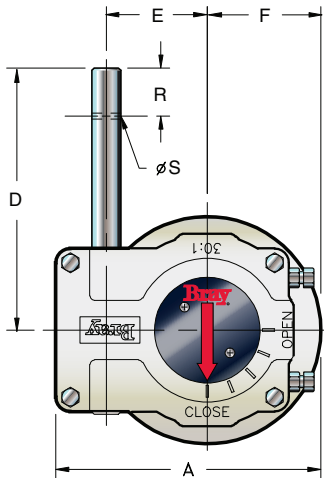
PERFORMANCE SPECIFICATIONS

- **Enclosure:** Stainless Steel Weatherproof Housing
- **Temperature Range:** -4°F (-20°C) to 250°F (120°C)
- **Stainless Steel** input stem
- **Rugged construction**

MATERIALS OF CONSTRUCTION

Body: Stainless Steel
 Travel Stop: Stainless Steel
 Position Indicator: .. Stainless Steel
 Body Seal: *FKM O-Ring
 Stem: Stainless Steel

Bushing: Teflon
 Handwheel: Stainless Steel
 Worm: Carbon Steel
 Gear Segment: Bronze



Unit Size	Ratio	Torque Output lb. in. [Nm]	DIMENSIONS SERIES 4 Stainless Steel Gear Operator - Inches [mm]																					
			A	B	C	D	E	F	G	H	J	K	L	Mounting Holes Pattern				Weight lb. [Kg]	N		P		R	S
														BC	No Holes	Threads UNC 28	Depth		STD	OPT	STD	OPT		
0200	20:1	2,000 [226]	4.53 [115]	3.50 [90]	2.56 [65]	4.72 [120]	1.62 [41]	1.75 [45]	1.44 [37]	.63 [16]	0.75 [19]	.51 [13]	-	2.76 [70]	4	.31-18 [M8x1.25]	.50 [13]	9.8 [4.5]	5.34 [136]	-	8 [203]	-	1.25 [32]	.156 [4]
0300	30:1	8,000 [904]	6.89 [175]	5.91 [150]	2.50 [64]	6.87 [175]	2.62 [67]	2.95 [75]	1.25 [32]	.75 [19]	**1.18 [30]	.87 [22]	-	4.92 [125]	4	.50-13 [M8x1.25]	.63 [16]	15.8 [7.2]	7.50 [191]	7.69 [195]	8 [203]	12 [305]	1.25 [32]	.156 [4]
0300	30:1	8,000 [904]	6.89 [175]	5.91 [150]	2.50 [64]	6.87 [175]	2.62 [67]	2.95 [75]	1.25 [32]	.75 [19]	**1.38 [35]	-	.39X.39 [10x10]	4.92 [125]	4	.50-13 [M12x1.75]	.63 [16]	15.8 [7.2]	7.50 [191]	7.69 [195]	8 [203]	12 [305]	1.25 [32]	.156 [4]
0500	50:1	13,000 [1469]	7.53 [191]	5.91 [150]	3.28 [83]	11.00 [279]	3.12 [79]	2.95 [75]	1.69 [43]	.75 [19]	1.38 [35]	-	.39X.39 [10x10]	4.92 [125]	4	.50-13 [M12x1.75]	.75 [19]	29.0 [13.2]	11.81 [300]	-	12 [305]	-	1.62 [41]	.188 [5]
0800	80:1	24,000 [2710]	10.51 [267]	8.27 [210]	4.39 [112]	14.00 [356]	4.56 [116]	4.14 [105]	2.38 [60]	1.00 [25]	**1.97 [50]	-	.47X.39 [12x10]	6.50 [165]	4	.75-10 [M20x2.5]	1.00 [25]	62.5 [28.4]	14.81 [376]	14.88 [378]	12 [305]	18 [305]	1.62 [41]	.188 [5]
0800	80:1	24,000 [2710]	10.51 [267]	8.27 [210]	4.39 [112]	14.00 [356]	4.56 [116]	4.14 [105]	2.38 [60]	1.00 [25]	**2.50 [64]	-	.62X.62 [16x16]	6.50 [165]	4	.75-10 [M20x2.5]	1.00 [25]	69.8 [31.7]	14.88 [376]	-	18 [305]	-	1.50 [38]	.250 [6]

* FKM is the ASTM D1418 designation for Fluorinated Hydrocarbon.

** Size 0300 has a double D and a keyway connection
 Size 0800 has 2 keyway size variations



DISTRIBUTOR

All statements, technical information, and recommendations in this bulletin are for general use only. Consult Bray representatives or factory for the specific requirements and material selection for your intended application. The right to change or modify product design or product without prior notice is reserved.



A Division of BRAY INTERNATIONAL, Inc.
 13333 Westland East Blvd. Houston, Texas 77041
 281.894.5454 FAX 281.894.9499 www.bray.com

Patents applied for in U.S. and foreign countries.
 Bray® is a registered trademark of BRAY INTERNATIONAL, Inc.

© 2009 Bray International. All rights reserved.

B-1026_EL_SERIES 4_ 2009-12