

**Technical Data:**

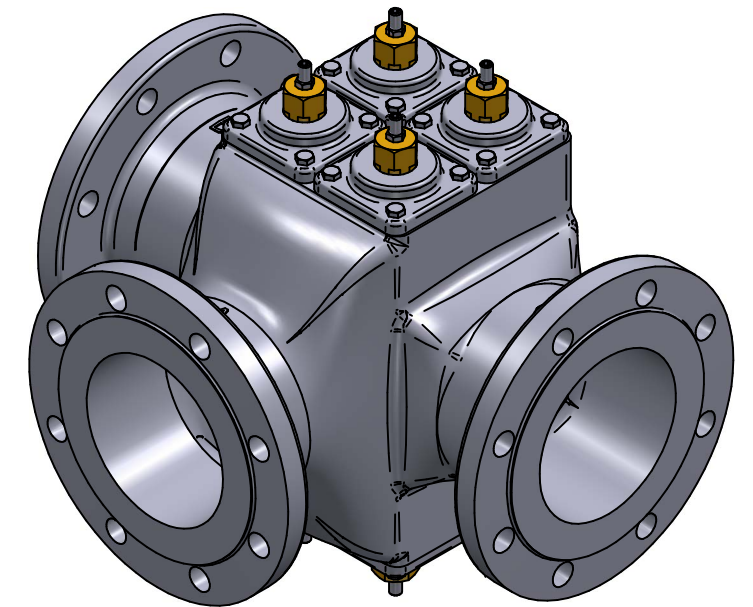
Material:

- Body EN-GJL-250
- Inner Parts SS / Brass
- Thermostat 237.0120-xxx-0
- Sealing Kit NBR
- Operating Pressure up to 16 bar
- adm. Differential Pressure up to 16 bar
- Nominal Pressure PN 16
- Connection Flange EN 1092-2 form B

Deliverable temperature ranges				
05 - 15 °C	35 - 43 °C	57 - 66 °C	74 - 82 °C	93 - 103 °C*
14 - 26 °C	37 - 47 °C	60 - 69 °C	77 - 85 °C	102 - 113 °C*
20 - 30 °C	39 - 50 °C	62 - 71 °C	79 - 88 °C	
27 - 37 °C	43 - 54 °C	66 - 74 °C	82 - 93 °C	
29 - 40 °C	51 - 60 °C	68 - 78 °C	85 - 96 °C*	
32 - 41 °C	54 - 63 °C	71 - 79 °C	88 - 99 °C*	

Max. continuous temperature 25°C above fully open temperature.  
 \*maximal operating temperature 120°C

KVs [m³/h]	299
------------	-----



TITLE 3-VEIS TEMP.REG.KONTR.VENTIL	NAME	DATE	SIZE	DWG NO	UNLESS OTHERWISE SPECIFIED DIMENSIONS ARE IN MILLIMETERS AND TOLERANCES ARE +/-0,5
	EMLA	03.01.2024	A3	AKO-226.0121-150-0	
	RAGA	02.02.2024	FILE NAME: 226.0121-150-0.dft		
	TOCO	dd.mm.yyyy	SCALE: 1:5	REV: 00	
MGR APPR	TOCO	dd.mm.yyyy	WEIGHT: 89 kg	SHEET: 1 OF 1	

REV	DESCRIPTION	DATE	APPROVED
00	ISSUED	02.02.2024	TOBE
REVISION HISTORY			