

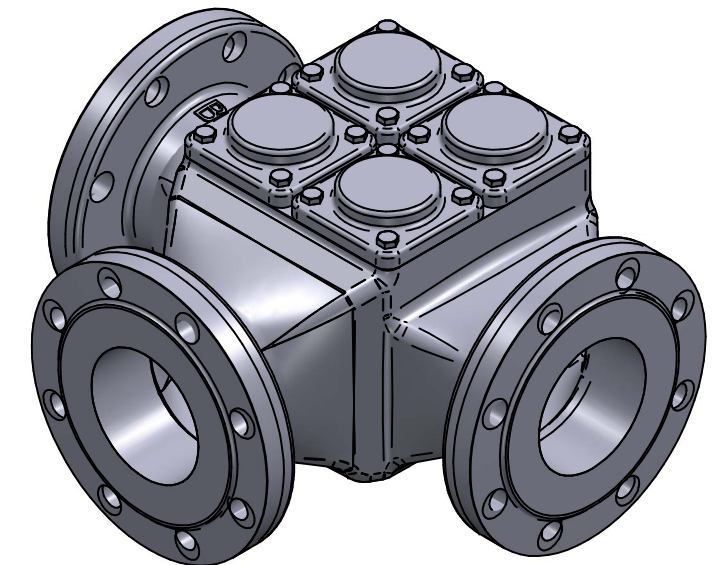
Technical Data:

Material:
 - Body EN-GJL-250
 - Inner Parts SS / Brass
 Thermostat 237.0120-xxx-0
 Sealing Kit NBR
 Operating Pressure up to 16 bar
 Adm. Differential Pressure up to 16 bar
 Nominal Pressure PN 16
 Connection Flange EN 1092-2 form B

Deliverable temperature ranges				
05 -15 °C	35 - 43 °C	57 - 66 °C	74 - 82 °C	93 -103 °C*
14 - 26 °C	37 - 47 °C	60 - 69 °C	77 - 85 °C	102-113°C*
20 - 30 °C	39 - 50 °C	62 - 71 °C	79 - 88 °C	
27 - 37 °C	43 - 54 °C	66 - 74 °C	82 - 93 °C	
29 - 40 °C	51 - 60 °C	68 - 78 °C	85 - 96 °C*	
32 - 41 °C	54 - 63 °C	71 - 79 °C	88 - 99 °C*	

Max. continuous temperature 25°C above fully open temperature.
 *maximal operating temperature 120°C

KVs [m³/h] 156.70



TITLE	AKO - 3-VEIS TEMP.REG.KONTR.VENTIL	NAME	DATE	SIZE	DWG NO	UNLESS OTHERWISE SPECIFIED DIMENSIONS ARE IN MILLIMETERS AND TOLERANCES ARE +/-0,5	
		DRAWN	EMLA	02.02.2024	A3		AKO-226.0120-100-0
		CHECKED	TOCO	dd.mm.yyyy	FILE NAME: 226.0120-100-0.dft		
		ENG APPR	TOCO	dd.mm.yyyy	SCALE: 1:5		REV: 0
MGR APPR	TOCO	dd.mm.yyyy	WEIGHT: 43 kg	SHEET: 1 OF 1			

REV	ISSUED	DESCRIPTION	DATE	APPROVED
0	ISSUED		02.02.24	TOBE
REVISION HISTORY				