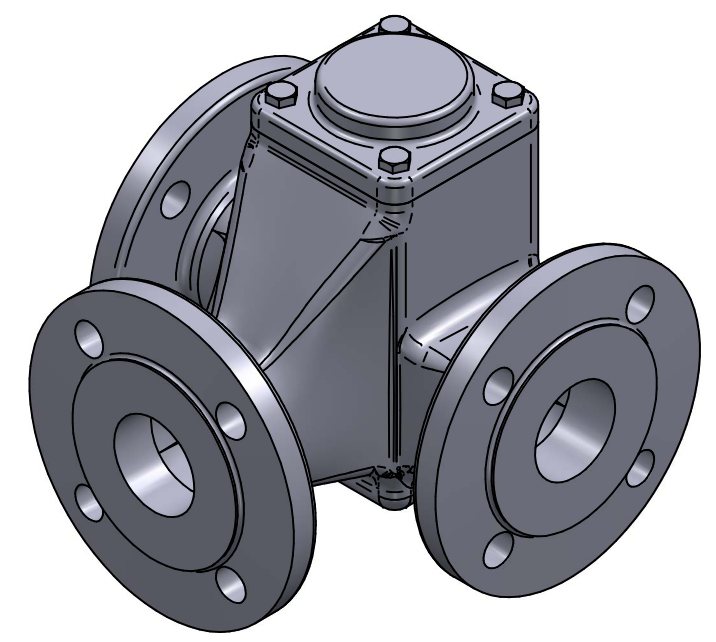
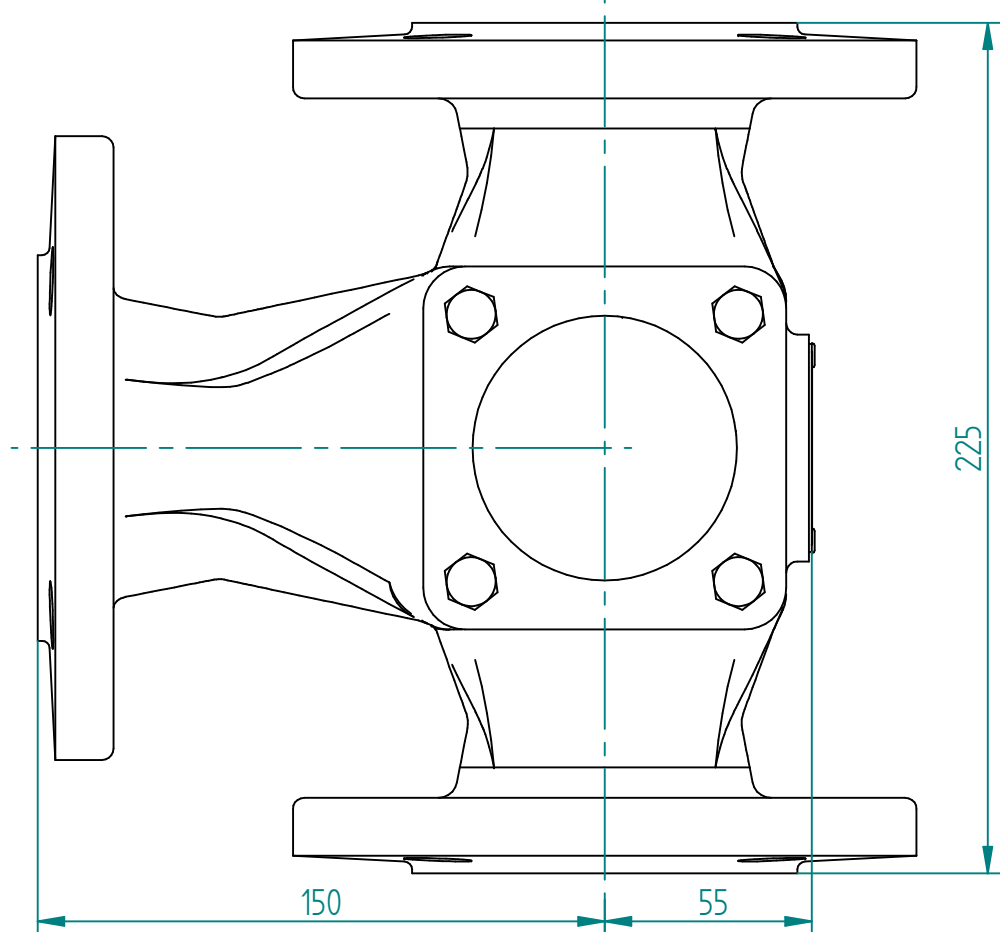


**Technical Data:**  
 Material:  
 - Body EN-GJL-250  
 - Inner Parts SS / Brass  
 Thermostat 237.0120-xxx-0  
 Sealing Kit NBR  
 Operating Pressure up to 16 bar  
 Adm. Differential Pressure up to 16 bar  
 Nominal Pressure PN 16  
 Connection Flange EN 1092-2 form B

| Deliverable temperature ranges |            |            |             |              |
|--------------------------------|------------|------------|-------------|--------------|
| 05 - 15 °C                     | 35 - 43 °C | 57 - 66 °C | 74 - 82 °C  | 93 - 103 °C* |
| 14 - 26 °C                     | 37 - 47 °C | 60 - 69 °C | 77 - 85 °C  | 102-113 °C*  |
| 20 - 30 °C                     | 39 - 50 °C | 62 - 71 °C | 79 - 88 °C  |              |
| 27 - 37 °C                     | 43 - 54 °C | 66 - 74 °C | 82 - 93 °C  |              |
| 29 - 40 °C                     | 51 - 60 °C | 68 - 78 °C | 85 - 96 °C* |              |
| 32 - 41 °C                     | 54 - 63 °C | 71 - 79 °C | 88 - 99 °C* |              |

Max. continuous temperature 25°C above fully open temperature.  
 \*maximal operating temperature 120°C

**KVs [m<sup>3</sup>/h] 38.80**



|          | NAME | DATE       | SIZE                          | DWG NO             |
|----------|------|------------|-------------------------------|--------------------|
| DRAWN    | EMLA | 03.01.2024 | <b>A3</b>                     | AKO-226.0120-050-0 |
| CHECKED  | RAGA | 02.02.2024 | FILE NAME: 226.0120-050-0.dft |                    |
| ENG APPR | TOCO | dd.mm.yyyy | SCALE: 1:2                    | REV: 00            |
| MGR APPR | TOCO | dd.mm.yyyy | WEIGHT: 17 kg                 | SHEET: 1 OF 1      |

UNLESS OTHERWISE SPECIFIED  
 DIMENSIONS ARE IN MILLIMETERS  
 AND TOLERANCES ARE +/-0,5

| REV              | DESCRIPTION | DATE       | APPROVED |
|------------------|-------------|------------|----------|
| 00               | ISSUED      | 02.02.2024 | TOBE     |
| REVISION HISTORY |             |            |          |

TITLE 3-VEIS TEMP.REG.KONTR.VENTIL