



# ABACUS

W A F E R   C H E C K   V A L V E S



- **24 HOUR QUOTATION SERVICE**
- **STANDARD VALVES EX STOCK**
- **MANUFACTURED TO ORDER**
- **6 – 8 WEEK DELIVERY FOR SPECIALS**



---

## Your one stop for wafer check valves

Abacus Valves was established in 1988 to manufacture and supply wafer check valves to the process industry. Since then the company has grown consistently through our ability to understand and meet the customer's needs, cost effectively and on time.

Through many years of experience and specialisation we have developed the most comprehensive range of wafer check valves in the UK. When this is coupled with the capability to manufacture our range from an extensive range of materials, you can be confident that Abacus is your one stop for all your wafer check valve needs.

---

## Design and development

Our design and development team are continually re-evaluating, improving and adding to our product range using the very latest CAD techniques. In addition, we are able to utilise the same skills and experience to undertake design and manufacture projects, allowing us to cater for any special need.

---

## Manufacture

Abacus and their partners have invested both in CNC and conventional machine tools. It is part of an on-going programme designed to enable us to respond quickly and efficiently to the highest standards of craftsmanship.

---

## Quality

Commitment to continuous improvement through employee participation, is an underpinning principle of our business approach. Quality assurance is the vehicle we use to carry through this improvement. All valves are manufactured to the applicable national standards while Abacus itself operates a quality system independently accredited to ISO 9001.

---

## Sales

Commercial and technical assistance is available through our internal sales team based at our Glengarnoch factory. We will also be pleased to provide on-site technical assistance when required. In addition, the UK is covered by a network of stockists/distributors who can offer complete valve packages.



## STANDARD RANGE

- 4 Short Pattern Sprung Disc
- 5 Short Pattern Sprung Disc
- 6 Long Pattern Sprung Disc
- 7 Short Pattern Swing Type
- 8 Long Pattern Twin Plate
- 9 Long Pattern Twin Plate

## PLASTIC RANGE

- 10 Sprung Disc
- 11 Full Bore Swing Type
- 12 Short Pattern Swing Type
- 13 Short Pattern Sprung Swing Type
- 14 Short Pattern Twin Plate
- 15 Long Pattern Twin Plate

## OUR PRODUCT RANGE

## LINED RANGE

- 18 Sprung Disc
- 19 Swing Type

## HIGH PERFORMANCE RANGE

- 20 Sprung Disc
- 21 Swing Type and Outside Lever
- 22 Short Pattern Swing Type
- 23 Short Pattern Sprung Swing Type
- 24 Long Pattern Swing Type
- 25 Long Pattern Sprung Swing Type
- 26 Full Bore Swing Type
- 27 Full Bore Sprung Swing Type
- 28 Short Pattern Twin Plate
- 29 Long Pattern Twin Plate
- 30 Retainerless Twin Plate

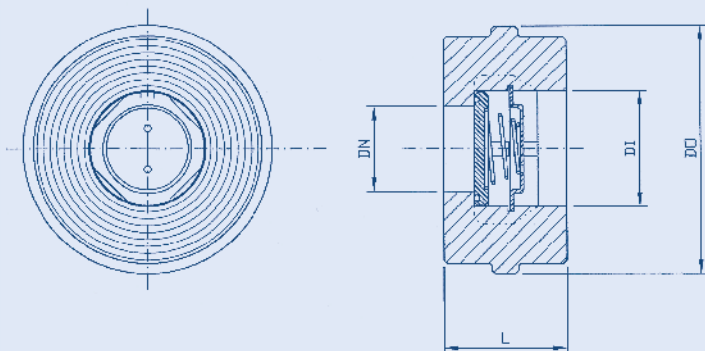
## 31 LIST OF OUR USERS

### OUTSIDE DIAMETERS FOR WAFER CHECK VALVES (mm)

SIZE (mm)	PN 6	PN 10	PN 16	PN 25	PN 40	TABLE "D"	TABLE "E"	ANSI 150	ANSI 300	ANSI 600	ANSI 900	ANSI 1500	ANSI 2500
15 (0.5")	45	53	53	53	53	54	54	48	54	54	63	63	70
20 (0.75")	55	63	63	63	63	60	60	57	67	67	70	70	76
25 (1.0")	65	73	73	73	73	70	70	67	73	73	79	79	85
40 (1.5")	88	94	94	94	94	86	86	86	95	95	98	98	117
50 (2.0")	98	109	109	109	109	99	99	105	111	111	143	143	146
65 (2.5")	118	129	129	129	129	111	111	124	130	130	165	165	168
80 (3.0")	134	144	144	144	144	130	130	137	149	149	168	174	197
100 (4.0")	154	164	164	170	170	162	162	175	181	193	206	209	235
125 (5.0")	184	194	194	196	196	194	194	197	216	241	247	254	279
150 (6.0")	209	220	220	226	226	219	216	222	251	266	289	282	317
200 (8.0")	264	275	275	286	293	276	273	279	308	320	359	352	387
250 (10")	319	330	331	343	355	336	336	339	362	400	435	435	476
300 (12")	375	380	386	403	420	387	384	409	422	457	498	520	549
350 (14")	425	440	446	460	477	448	448	451	486	492	521	578	
400 (16")	475	491	498	517	549	499	499	514	540	565	575	641	
450 (18")	n/a	541	558	567	574	562	562	549	597	613	638	705	
500 (20")	580	596	620	627	631	619	619	606	654	683	699	756	
600 (24")	681	698	737	734	747	730	730	718	775	791	838	902	

**Please note:**

1. The check valves above are not suitable for heavily pulsating flow such as can be experienced close to reciprocating pumps or compressors.
2. If the wafer check valve you require is not shown or if you have a special design requirement please contact us on 01505 681777.



## SPECIAL CHARACTERISTICS

- Lightweight
- Compact
- Economical
- Easily installed
- Tight shut-off (resilient seat)
- Anti-slam
- Complies fully with BS 7438
- Suitable for vertical pipe
- Suitable for all common flanges

## Model 545

**Body** 316 S.S.

**Retainer** 316 S.S.

**Disc** 316 S.S.

**Spring** Inconel-X Suffix 'X'

**Seat** Metal Suffix 'M'

Viton Suffix 'V'

P.T.F.E. Suffix 'P'

## Principle Dimensions

<b>Nominal size 'DN' (mm)</b>	15	20	25	32	40	50	65	80	100
<b>Outlet bore 'DI' (mm)</b>	23	28	34	44	50	60	76	90	106
<b>Length 'L' (mm)</b>	16	19	22	28	32	40	46	50	60
<b>Outside diameter 'DO' (mm)</b>	See table on page 3								
<b>Weight (Kg)</b>	0.2	0.3	0.6	0.8	1.0	1.5	2.5	3.5	5.0

Working temperatures up to 593°C

Working pressures up to 100 Bar

## Abacus Wafer Check Valves

t: +44 (0)1505 681777

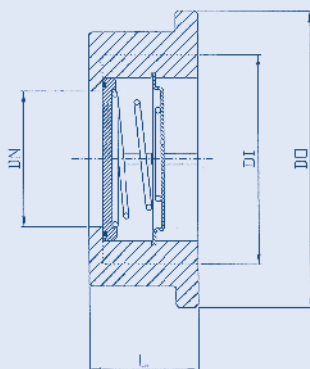
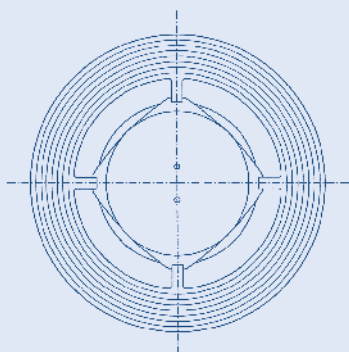
f: +44 (0)1505 683999

www.abacusvalves.com  
sales@abacusvalves.com

Block 4 Lochshore East  
Industrial Estate Glengarnoch  
Ayrshire KA14 3DB

## NOTES

- Wafer pattern design offers significant space and weight reduction compared with traditional flanged valve design
- Superior by design
- 24 hour quotation turn around
- Comprehensive stocks
- Worldwide distribution
- Technical assistance and advice always available



## SPECIAL CHARACTERISTICS

- Lightweight
- Compact
- Economical
- Easily installed
- Tight shut-off (resilient seat)
- Anti-slam
- Complies fully with BS 7438
- Suitable for vertical pipe
- Suitable for metric flanges

Model	718	748
<b>Body</b>	Bronze	316 S.S.
<b>Retainer</b>	316 S.S.	316 S.S.
<b>Disc</b>	316 S.S.	316 S.S.
<b>Spring</b>	Inconel-X	Suffix 'X'
<b>Seat</b>	Metal	Suffix 'M'
	Viton	Suffix 'V'
	P.T.F.E.	Suffix 'P'

## Principle Dimensions

<b>Nominal size 'DN' (mm)</b>	15	20	25	40	50	65	80	100
<b>Outlet bore 'DI' (mm)</b>	29	36	45	66	77	99	112	131
<b>Length 'L' (mm)</b>	16	19	22	32	40	46	50	60
<b>Outside diameter 'DO' (mm)</b>	See table on page 3							
<b>Weight (Kg)</b>	0.2	0.3	0.6	1.0	1.5	2.5	3.0	4.5

Working temperatures up to 593°C  
 Working pressures up to 50 Bar

### Abacus Wafer Check Valves

t: +44 (0)1505 681777  
 f: +44 (0)1505 683999

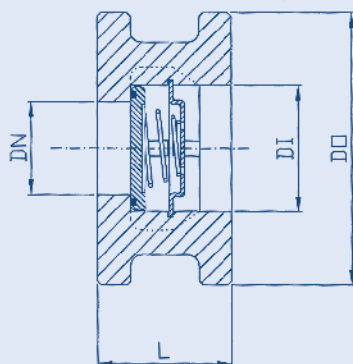
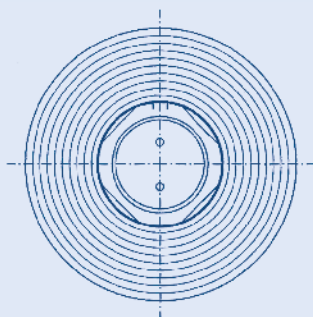
www.abacusvalves.com  
 sales@abacusvalves.com

Block 4 Lochshore East  
 Industrial Estate Glengarnoch  
 Ayrshire KA14 3DB

## NOTES

- Wafer pattern design offers significant space and weight reduction compared with traditional flanged valve design
- Superior by design
- 24 hour quotation turn around
- Comprehensive stocks
- Worldwide distribution
- Technical assistance and advice always available





## SPECIAL CHARACTERISTICS

- Lightweight
- Compact
- Economical
- Easily installed
- Tight shut-off (resilient seat)
- Anti-slam
- Complies fully with BS 7438 and EN 558.2 face to face
- Suitable for vertical pipe
- Suitable for raised face flanges

Model	715	745	775
<b>Body</b>	Bronze	316 S.S.	Hastelloy
<b>Retainer</b>	Monel	316 S.S.	Hastelloy
<b>Disc</b>	Bronze	316 S.S.	Hastelloy
<b>Spring</b>	Inconel-X	Suffix 'X'	
	Hastelloy	Suffix 'H'	
<b>Seat</b>	Metal	Suffix 'M'	
	Viton	Suffix 'V'	
	P.T.F.E.	Suffix 'P'	

## Principle Dimensions

<b>Nominal size 'DN' (mm)</b>	15	20	25	40	50	65	80	100
<b>Outlet bore 'DI' (mm)</b>	23	28	34	50	61	76	92	112
<b>Length 'L' (mm)</b>	25	32	36	45	56	63	71	80
<b>Outside diameter 'DO' (mm)</b>	See table on page 3							
<b>Weight (Kg)</b>	0.2	0.4	0.8	1.2	2.0	3.0	4.5	6.5

Working temperatures up to 593°C  
 Working pressures up to 100 Bar

### Abacus Wafer Check Valves

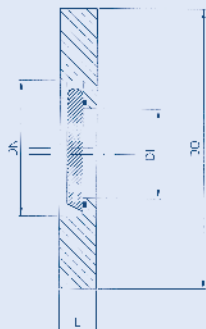
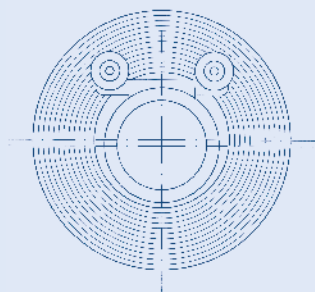
t: +44 (0)1505 681777  
 f: +44 (0)1505 683999

www.abacusvalves.com  
 sales@abacusvalves.com

Block 4 Lochshore East  
 Industrial Estate Glengarnoch  
 Ayrshire KA14 3DB

### NOTES

- Wafer pattern design offers significant space and weight reduction compared with traditional flanged valve design
- Superior by design
- 24 hour quotation turn around
- Comprehensive stocks
- Worldwide distribution
- Technical assistance and advice always available



## SPECIAL CHARACTERISTICS

- Lightweight
- Extremely compact
- Economical
- Low maintenance
- Easily installed
- Tight shut-off
- One moving part
- Retained disc

Model	526	546
Body	Steel	316 S.S.
Fixings	316 S.S.	316 S.S.
Disc	316 S.S.	316 S.S.
Seat	E.P.D.M.	Suffix 'E'

## Principle Dimensions

Nominal size 'DN' (mm)	40	50	65	80	100	125	150	200	250	300
Inlet bore 'DI' (mm)	26	35	46	57	80	102	125	166	208	250
Min. out. pipe bore (mm)	40	50	65	78	100	125	150	200	250	300
Length 'L' (mm)	16	16	16	16	16	16	19	29	29	38
Outside diameter 'DO' (mm)	See table on page 3									
Weight (Kg)	1	2	2	3	4	5	6	14	25	48

Working temperatures up to 100°C

Working pressures up to 20 Bar

### Abacus Wafer Check Valves

t: +44 (0)1505 681777

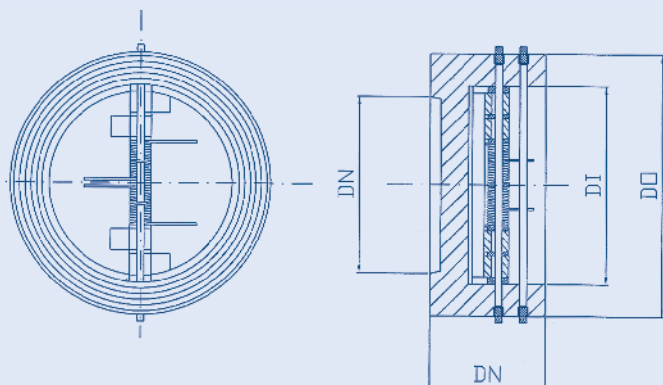
f: +44 (0)1505 683999

www.abacusvalves.com  
sales@abacusvalves.com

Block 4 Lochshore East  
Industrial Estate Glengarnoch  
Ayrshire KA14 3DB

## NOTES

- Wafer pattern design offers significant space and weight reduction compared with traditional flanged valve design
- Superior by design
- 24 hour quotation turn around
- Comprehensive stocks
- Worldwide distribution
- Technical assistance and advice always available



## SPECIAL CHARACTERISTICS

- Lightweight
- Compact
- Economical
- Easily installed
- Tight shut-off (resilient seat)
- Anti-slam
- Complies fully with API 594 except face to face
- Suitable for all common flanges

## Model 797

**Body** Cast Iron

**Plates** Bronze

**Pins** 316 S.S.

**Retainers** Cast Iron

**Spring** 316 S.S. Suffix 'S'

**Seat** Viton Suffix 'V'

Buna. N Suffix 'B'

## Principle Dimensions

<b>Nominal size 'DN' (mm)</b>	40	50	65	80	100	125	150	200	250	300	350	400	450	500	600
<b>Outlet bore 'DI' (mm)</b>	60	60	73	89	114	141	168	219	273	324	356	406	457	508	610
<b>Length 'L' (mm)</b>	54	54	54	57	64	70	76	95	108	143	184	191	203	213	222
<b>Outside diameter 'DO' (mm)</b>	See table on page 3														
<b>Weight (Kg)</b>	1	2	3	3	5	7	9	16	30	48	85	115	140	165	250

Working temperatures up to 200°C

Working pressures up to 16 Bar

Larger sizes on request

## Abacus Wafer Check Valves

t: +44 (0)1505 681777

f: +44 (0)1505 683999

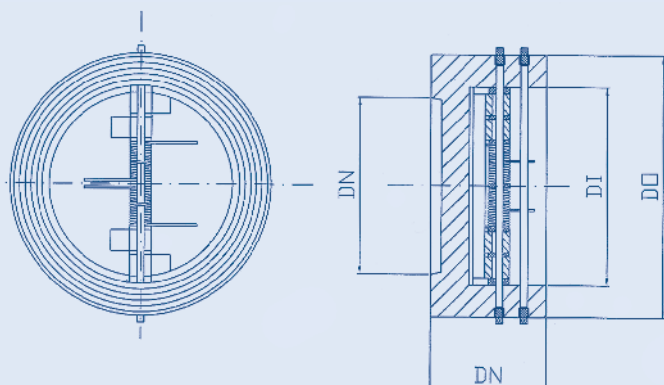
www.abacusvalves.com  
sales@abacusvalves.com

Block 4 Lochshore East  
Industrial Estate Glengarnoch  
Ayrshire KA14 3DB

## NOTES

- Wafer pattern design offers significant space and weight reduction compared with traditional flanged valve design
- Superior by design
- 24 hour quotation turn around
- Comprehensive stocks
- Worldwide distribution
- Technical assistance and advice always available





### SPECIAL CHARACTERISTICS

- Lightweight
- Compact
- Economical
- Easily installed
- Tight shut-off (resilient seat)
- Anti-slam
- Complies fully with API 594
- Suitable for all common flanges

Model	717	727	747
<b>Body</b>	Bronze	Steel	316 S.S.
<b>Plates</b>	Bronze	316 S.S.	316 S.S.
<b>Pins</b>	Monel	316 S.S.	316 S.S.
<b>Retainers</b>	Monel	316 S.S.	316 S.S.
<b>Spring</b>	Inconel-X	Suffix 'X'	
<b>Seat</b>	Metal	Suffix 'M'	
	Viton	Suffix 'V'	
	Buna. N	Suffix 'B'	

### Principle Dimensions

<b>Nominal size 'DN' (mm)</b>	40	50	65	80	100	125	150	200	250	300	350	400	450	500	600
<b>Outlet bore 'DI' (mm)</b>	50	60	73	89	114	141	168	219	273	324	356	406	457	508	610
<b>Length 'L' (mm) (ANSI 150)</b>	60	60	67	73	73	86	98	127	146	181	184	191	203	219	222
	<b>(ANSI 300)</b>	60	60	67	73	73	86	98	127	146	181	222	232	269	318
<b>Outside diameter 'DO' (mm)</b>	See table on page 3														
<b>Weight (Kg)</b>	2	3	4	5	7	14	15	30	50	85	100	165	185	250	400

Working temperatures up to 593°C  
Working pressures up to 50 Bar  
Higher pressures on request

Lugged style on request  
Larger sizes on request

### Abacus Wafer Check Valves

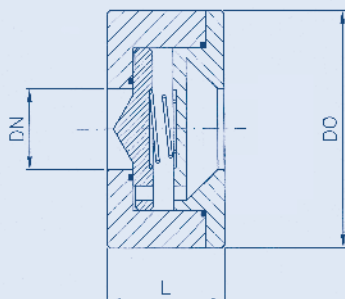
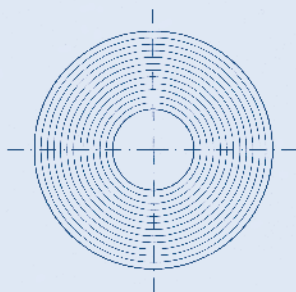
t: +44 (0)1505 681777  
f: +44 (0)1505 683999

www.abacusvalves.com  
sales@abacusvalves.com

Block 4 Lochshore East  
Industrial Estate Glengarnoch  
Ayrshire KA14 3DB

### NOTES

- Wafer pattern design offers significant space and weight reduction compared with traditional flanged valve design
- Superior by design
- 24 hour quotation turn around
- Comprehensive stocks
- Worldwide distribution
- Technical assistance and advice always available



**SPECIAL CHARACTERISTICS**

- Lightweight
- Compact
- Economical
- Easily installed
- Tight shut-off
- Anti-slam
- Face to face to BS 7438 and EN 558.2
- Suitable for vertical pipe
- Suitable for all common flanges

Model	701	721	731	741
<b>Body</b>	P.P.	P.T.F.E.	P.V.D.F.	P.V.C.
<b>Retainer</b>	P.P.	P.T.F.E.	P.V.D.F.	P.V.C.
<b>Disc</b>	P.P.	P.T.F.E.	P.V.D.F.	P.V.C.
<b>Spring</b>	Stainless Steel		Suffix 'S'	
	Inconel-X		Suffix 'X'	
	Titanium		Suffix 'T'	
	Hastelloy		Suffix 'H'	
<b>Seat</b>	Viton		Suffix 'V'	
	P.T.F.E.		Suffix 'P'	

**Principle Dimensions**

<b>Nominal size 'DN' (mm)</b>	15	20	25	40	50	65	80	100	125	150	200	250	300
<b>Length 'L' (mm)</b>	25	32	36	45	56	63	71	80	110	125	160	200	250
<b>Outside diameter 'DO' (mm)</b>	See table on page 3												
<b>Weight (Kg)</b>	0.1	0.2	0.4	0.6	1.0	1.5	2.0	3.0	5.0	6.0	10.0	15.0	22.0

Working temperatures up to 200°C  
 Working pressures up to 10 Bar  
 Lugged style on request  
 Special springs on request  
 Larger sizes on request

**Abacus Wafer Check Valves**

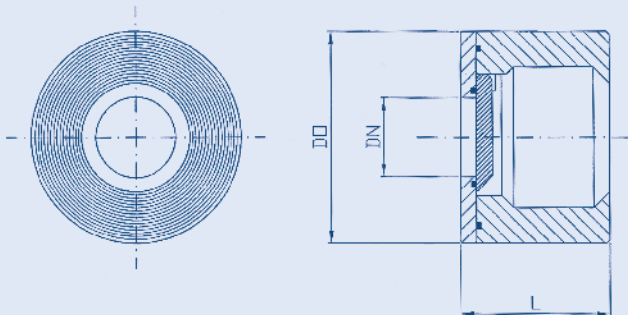
t: +44 (0)1505 681777  
 f: +44 (0)1505 683999

www.abacusvalves.com  
 sales@abacusvalves.com

Block 4 Lochshore East  
 Industrial Estate Glengarnoch  
 Ayrshire KA14 3DB

**NOTES**

- Wafer pattern design offers significant space and weight reduction compared with traditional flanged valve design
- Superior by design
- 24 hour quotation turn around
- Comprehensive stocks
- Worldwide distribution
- Technical assistance and advice always available



## SPECIAL CHARACTERISTICS

- Full bore
- Lightweight
- Compact
- Economical
- Low maintenance
- Easily installed
- Tight shut-off
- One moving part
- One piece disc and shaft for maximum strength
- Suitable for all common flanges
- Retained disc

Model	700	720	730	740
<b>Body</b>	P.P.	P.T.F.E.	P.V.D.F.	P.V.C.
<b>Seat Carrier</b>	P.P.	P.T.F.E.	P.V.D.F.	P.V.C.
<b>Disc</b>	P.P.	P.T.F.E.	P.V.D.F.	P.V.C.
<b>Seat</b>	Viton		Suffix 'V'	
	P.T.F.E.		Suffix 'P'	

## Principle Dimensions

<b>Nominal size 'DN' (mm)</b>	15	20	25	40	50	65	80	100
<b>Length 'L' (mm)</b>	37	44	51	68	78	93	108	130
<b>Outside diameter 'DO' (mm)</b>	See table on page 3							
<b>Weight (Kg)</b>	0.2	0.3	0.6	1.0	1.5	2.0	3.0	4.0

Working temperatures up to 200°C  
 Working pressures up to 10 Bar  
 Lugged style on request  
 Larger sizes on request

### Abacus Wafer Check Valves

t: +44 (0)1505 681777  
 f: +44 (0)1505 683999

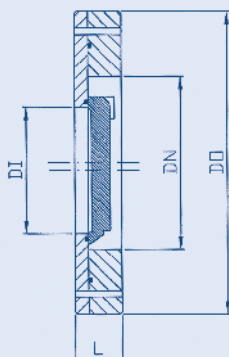
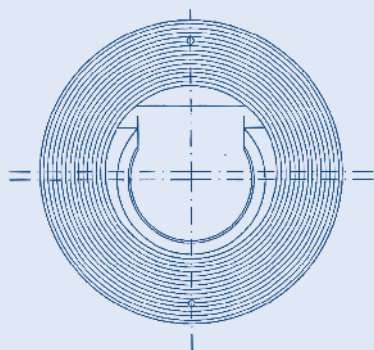
www.abacusvalves.com  
 sales@abacusvalves.com

Block 4 Lochshore East  
 Industrial Estate Glengarnoch  
 Ayrshire KA14 3DB

## NOTES

- Wafer pattern design offers significant space and weight reduction compared with traditional flanged valve design
- Superior by design
- 24 hour quotation turn around
- Comprehensive stocks
- Worldwide distribution
- Technical assistance and advice always available





## SPECIAL CHARACTERISTICS

- Lightweight
- Extremely compact
- Economical
- Low maintenance
- Easily installed
- Tight shut-off
- One moving part
- Retained disc
- One piece disc and shaft for maximum strength
- Suitable for all common flanges

Model	702	722	732	742
<b>Body</b>	P.P.	P.T.F.E.	P.V.D.F.	P.V.C.
<b>Seat Carrier</b>	P.P.	P.T.F.E.	P.V.D.F.	P.V.C.
<b>Disc</b>	P.P.	P.T.F.E.	P.V.D.F.	P.V.C.
<b>Seat</b>	Viton		Suffix 'V'	
	P.T.F.E.		Suffix 'P'	

## Principle Dimensions

<b>Nominal size 'DN' (mm)</b>	40	50	65	80	100	125	150	200	250	300
<b>Inlet bore 'DI' (mm)</b>	26	35	46	57	71	93	118	150	187	233
<b>Min. out. pipe bore (mm)</b>	40	50	63	78	90	115	140	180	225	280
<b>Length 'L' (mm)</b>	19	19	19	19	19	19	19	29	29	38
<b>Outside diameter 'DO' (mm)</b>	See table on page 3									
<b>Weight (Kg)</b>	1	1	2	2	3	3	4	5	7	10

Working temperatures up to 200°C  
 Working pressures up to 10 Bar  
 Lugged style on request  
 Larger sizes on request

### Abacus Wafer Check Valves

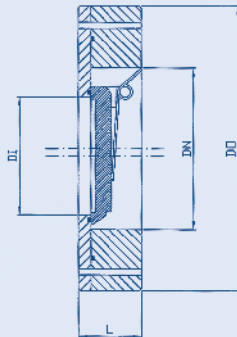
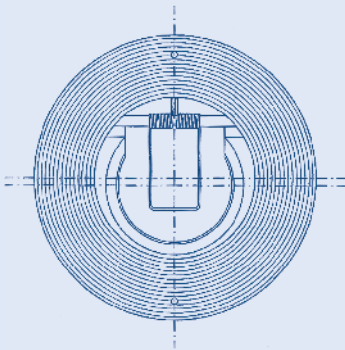
t: +44 (0)1505 681777  
 f: +44 (0)1505 683999

www.abacusvalves.com  
 sales@abacusvalves.com

Block 4 Lochshore East  
 Industrial Estate Glengarnoch  
 Ayrshire KA14 3DB

### NOTES

- Wafer pattern design offers significant space and weight reduction compared with traditional flanged valve design
- Superior by design
- 24 hour quotation turn around
- Comprehensive stocks
- Worldwide distribution
- Technical assistance and advice always available



## SPECIAL CHARACTERISTICS

- Lightweight
- Compact
- Economical
- Low maintenance
- Easily installed
- Tight shut-off
- Anti-slam
- Retained Disc
- One piece disc and shaft for maximum strength
- Suitable for all common flanges

Model	902	922	932	942
<b>Body</b>	P.P.	P.T.F.E.	P.V.D.F.	P.V.C.
<b>Seat Carrier</b>	P.P.	P.T.F.E.	P.V.D.F.	P.V.C.
<b>Disc</b>	P.P.	P.T.F.E.	P.V.D.F.	P.V.C.
<b>Pin</b>	316 S.S.	316 S.S.	316 S.S.	316 S.S.
<b>Spring</b>	Stainless Steel		Suffix 'S'	
	Inconel-X		Suffix 'X'	
	Titanium		Suffix 'T'	
	Hastelloy		Suffix 'H'	
<b>Seat</b>	Viton		Suffix 'V'	
	P.T.F.E.		Suffix 'P'	

## Principle Dimensions

<b>Nominal size 'DN' (mm)</b>	40	50	65	80	100	125	150	200	250	300
<b>Inlet bore 'DI' (mm)</b>	26	35	46	57	71	93	118	150	187	233
<b>Min. out. pipe bore (mm)</b>	40	50	63	78	90	115	140	180	225	280
<b>Length 'L' (mm)</b>	27	27	27	27	27	32	32	42	47	52
<b>Outside diameter 'DO' (mm)</b>	See table on page 3									
<b>Weight (Kg)</b>	1	1	2	2	3	4	5	6	8	12

Working temperatures up to 200°C  
 Working pressures up to 10 Bar  
 Lugged style on request  
 Larger sizes on request

## Abacus Wafer Check Valves

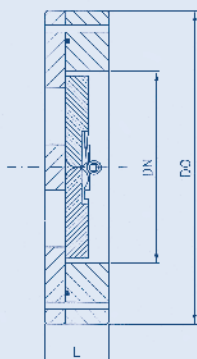
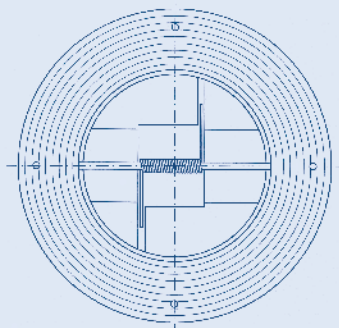
t: +44 (0)1505 681777  
 f: +44 (0)1505 683999

www.abacusvalves.com  
 sales@abacusvalves.com

Block 4 Lochshore East  
 Industrial Estate Glengarnoch  
 Ayrshire KA14 3DB

## NOTES

- Wafer pattern design offers significant space and weight reduction compared with traditional flanged valve design
- Superior by design
- 24 hour quotation turn around
- Comprehensive stocks
- Worldwide distribution
- Technical assistance and advice always available



### SPECIAL CHARACTERISTICS

- Lightweight
- Compact
- Economical
- Easily installed
- Tight shut-off
- Anti-slam
- Suitable for all common flanges

Model	704	724	734	744
<b>Body</b>	P.P.	P.T.F.E.	P.V.D.F.	P.V.C.
<b>Seat Carrier</b>	P.P.	P.T.F.E.	P.V.D.F.	P.V.C.
<b>Plates</b>	P.P.	P.T.F.E.	P.V.D.F.	P.V.C.
<b>Pin</b>	316 S.S.	316 S.S.	316 S.S.	316 S.S.

<b>Spring</b>	Stainless Steel	Suffix 'S'
	Inconel-X	Suffix 'X'
	Titanium	Suffix 'T'
	Hastelloy	Suffix 'H'

<b>Seat</b>	Viton	Suffix 'V'
	P.T.F.E.	Suffix 'P'

### Principle Dimensions

<b>Nominal size 'DN' (mm)</b>	50	65	80	100	125	150	200	250	300
<b>Min. out. pipe bore (mm)</b>	50	63	78	90	115	140	180	225	280
<b>Length 'L' (mm)</b>	17	20	24	27	32	32	45	47	58
<b>Outside diameter 'DO' (mm)</b>	See table on page 3								
<b>Weight (Kg)</b>	1	1	2	2	3	4	6	8	12

Working temperatures up to 200°C  
 Working pressures up to 10 Bar  
 Lugged style on request  
 Larger sizes on request

### Abacus Wafer Check Valves

t: +44 (0)1505 681777  
 f: +44 (0)1505 683999

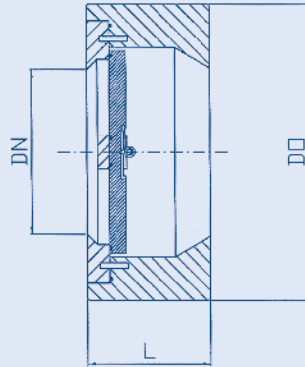
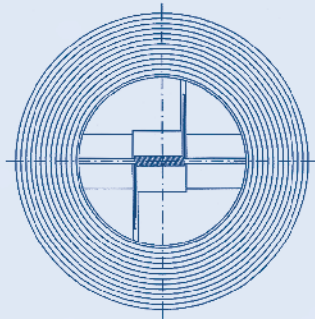
www.abacusvalves.com  
 sales@abacusvalves.com

Block 4 Lochshore East  
 Industrial Estate Glengarnoch  
 Ayrshire KA14 3DB

### NOTES

- Wafer pattern design offers significant space and weight reduction compared with traditional flanged valve design
- Superior by design
- 24 hour quotation turn around
- Comprehensive stocks
- Worldwide distribution
- Technical assistance and advice always available





### SPECIAL CHARACTERISTICS

- Lightweight
- Compact
- Economical
- Easily installed
- Tight shut-off
- Anti-slam
- Face to face API 594
- Full flow area

Model	904	924	934	944
<b>Body</b>	P.P.	P.T.F.E.	P.V.D.F.	P.V.C.
<b>Seat Carrier</b>	P.P.	P.T.F.E.	P.V.D.F.	P.V.C.
<b>Plates</b>	P.P.	P.T.F.E.	P.V.D.F.	P.V.C.
<b>Pin</b>	316 S.S.	316 S.S.	316 S.S.	316 S.S.
<b>Spring</b>	Stainless Steel		Suffix 'S'	
	Inconel-X		Suffix 'X'	
	Titanium		Suffix 'T'	
	Hastelloy		Suffix 'H'	
<b>Seat</b>	Viton		Suffix 'V'	
	P.T.F.E.		Suffix 'P'	

### Principle Dimensions

<b>Nominal size 'DN' (mm)</b>	40	50	65	80	100	125	150	200	250	300
<b>Length 'L' (mm)</b>	60	60	67	73	73	86	98	127	146	181
<b>Outside diameter 'DO' (mm)</b>	See table on page 3									
<b>Weight (Kg)</b>	1	2	3	4	5	6	8	10	12	16

Working temperatures up to 200°C

Working pressures up to 10 Bar

Lugged style on request

Larger sizes on request

#### Abacus Wafer Check Valves

t: +44 (0)1505 681777

f: +44 (0)1505 683999

www.abacusvalves.com  
sales@abacusvalves.com

Block 4 Lochshore East  
Industrial Estate Glengarnoch  
Ayrshire KA14 3DB

#### NOTES

- Wafer pattern design offers significant space and weight reduction compared with traditional flanged valve design
- Superior by design
- 24 hour quotation turn around
- Comprehensive stocks
- Worldwide distribution
- Technical assistance and advice always available



**EC CERTIFICATE OF CONFORMITY**

*In accordance with the requirements of the Pressure Equipment Directive 97/23/EC and the Pressure Equipment Regulations 1999, UK Statutory Instrument 1999 No. 2001*

*This is to certify that the Quality Management System of:*

**Abacus Valve International Ltd.**  
Alton  
Hampshire  
GU34 2TR

*has been assessed against the requirements of Annex III, Module D of the Pressure Equipment Directive 97/23/EC, and Schedule 4, Module D of the Pressure Equipment Regulations 1999 and conforms to the requirements for the products shown below:*

**Manufacture of Wafer Check Valves**

*Approval is subject to the continued maintenance of the quality system in accordance with the requirements of the above Directive and Regulations, and continuing to comply with the EC Design Examination Certificate(s) as listed on the attached schedule.*

*Authorisation is hereby given to use the LR Notified Body Identification Number in accordance with the requirements of the specified Directive and Regulations in relation to the products as identified above.*

Certificate No: RPS 0160387/01

Date of Issue: 29th April 2002

LR Identification Number 0038

*S C Emery on behalf of Lloyd's Register*

FORM 7003 (05/2000)  
Lloyd's Register of Shipping, registered office: 71 Fenchurch Street, London, EC3M 4BS

[www.lr.org](http://www.lr.org)



**Abacus Wafer Check Valves**

t: +44 (0)1505 681777 f: +44 (0)1505 683999  
[www.abacusvalves.com](http://www.abacusvalves.com) [sales@abacusvalves.com](mailto:sales@abacusvalves.com)

Block 4 Lochshore East Industrial Estate Glengarnoch Ayrshire KA14 3DB

Distributor Norway | J.S.Cock AS | [www.jsc.no](http://www.jsc.no) | [post@jsc.no](mailto:post@jsc.no)





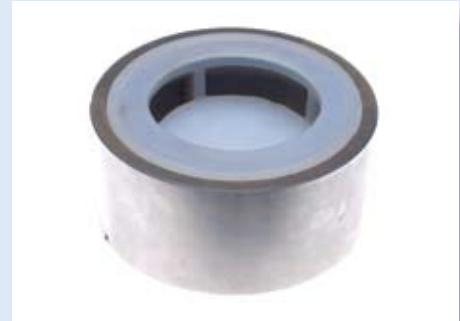
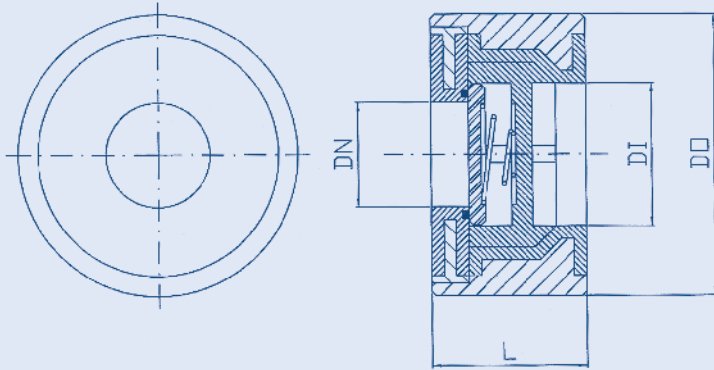
**Abacus Wafer Check Valves**

t: +44 (0)1505 681777 f: +44 (0)1505 683999  
www.abacusvalves.com sales@abacusvalves.com

Block 4 Lochshore East Industrial Estate Glengarnoch Ayrshire KA14 3DB

Distributor Norway | J.S.Cock AS | www.jsc.no | post@jsc.no





### SPECIAL CHARACTERISTICS

- Suitable for raised face flanges
- Lightweight
- Compact
- Economical
- Easily installed
- Anti-slam
- Face to face to BS 7438 and EN 558.2
- Suitable for vertical pipe

Model	7432	7431	7437
<b>Body</b>	P.F.A. lined	P.F.A. lined	P.F.A. lined
<b>Seat Carrier</b>	P.F.A. lined	P.F.A. lined	P.F.A. lined
<b>Disc</b>	P.T.F.E.	Ceramic	Hastelloy
<b>Spring</b>	Titanium	Suffix 'T'	
	Hastelloy	Suffix 'H'	
	P.F.A. coated	Suffix 'C'	

### Principle Dimensions

<b>Nominal size 'DN' (mm)</b>	15	20	25	40	50	65	80	100
<b>Outlet bore 'DI' (mm)</b>	19	24	30	46	56	72	81	100
<b>Length 'L' (mm)</b>	25	32	36	45	56	63	71	80
<b>Outside diameter 'DO' (mm)</b>	See table on page 3							
<b>Weight (Kg)</b>	0.2	0.4	0.8	1.0	2.0	3.0	5.0	7.0

Working temperatures up to 200°C  
 Working pressures up to 50 Bar  
 Special springs on request

#### Abacus Wafer Check Valves

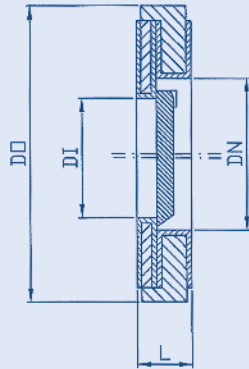
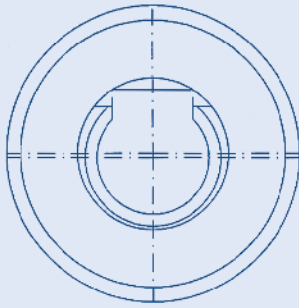
t: +44 (0)1505 681777  
 f: +44 (0)1505 683999

www.abacusvalves.com  
 sales@abacusvalves.com

Block 4 Lochshore East  
 Industrial Estate Glengarnoch  
 Ayrshire KA14 3DB

#### NOTES

- Wafer pattern design offers significant space and weight reduction compared with traditional flanged valve design
- Superior by design
- 24 hour quotation turn around
- Comprehensive stocks
- Worldwide distribution
- Technical assistance and advice always available



### SPECIAL CHARACTERISTICS

- Lightweight
- Compact
- Economical
- Low maintenance
- Easily installed
- Tight shut-off
- One moving part
- Retained disc
- One piece lined disc and shaft for maximum strength

Model	9432	9438	9431
Body	P.F.A. lined	P.F.A. lined	P.F.A. lined
Seat Carrier	P.F.A. lined	P.F.A. lined	P.F.A. lined
Disc	P.T.F.E.	P.F.A. lined	Ceramic

### Principle Dimensions

Nominal size 'DN' (mm)	80	100	125	150	200	250	300
Inlet bore 'DI' (mm)	55	71	93	116	158	200	240
Min. out. pipe bore (mm)	72	90	119	140	189	240	288
Length 'L' (mm)	32	32	32	32	42	47	52
Outside diameter 'DO' (mm)	See table on page 3						
Weight (Kg)	4	5	6	7	16	30	55

Working temperatures up to 200°C  
 Working pressures up to 50 Bar  
 Lugged style on request  
 Larger sizes on request

#### Abacus Wafer Check Valves

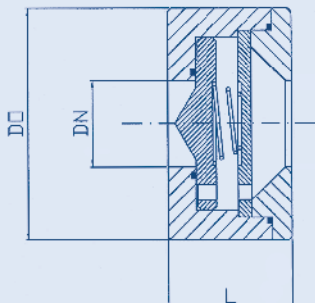
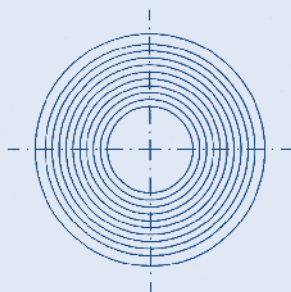
t: +44 (0)1505 681777  
 f: +44 (0)1505 683999

www.abacusvalves.com  
 sales@abacusvalves.com

Block 4 Lochshore East  
 Industrial Estate Glengarnoch  
 Ayrshire KA14 3DB

#### NOTES

- Wafer pattern design offers significant space and weight reduction compared with traditional flanged valve design
- Superior by design
- 24 hour quotation turn around
- Comprehensive stocks
- Worldwide distribution
- Technical assistance and advice always available



### SPECIAL CHARACTERISTICS

- Lightweight
- Compact
- Economical
- Easily installed
- Tight shut-off (resilient seat)
- Anti-slam
- Face to face to BS 7438 and EN 558.2
- Suitable for vertical pipe
- Suitable for all common flanges

Model	915	925	945	955	965	975	985
<b>Body</b>	Bronze	Steel	316 S.S.	Monel	Titanium	Hastelloy	D.S.S.
<b>Disc</b>	Bronze	316 S.S.	316 S.S.	Monel	Titanium	Hastelloy	D.S.S.
<b>Retainer</b>	Bronze	Steel	316 S.S.	Monel	Titanium	Hastelloy	D.S.S.
<b>Stop</b>	Bronze	316 S.S.	316 S.S.	Monel	Titanium	Hastelloy	D.S.S.
<b>Spring</b>	Stainless Steel		Suffix 'S'				
	Inconel-X		Suffix 'X'				
	Titanium		Suffix 'T'				
	Hastelloy		Suffix 'H'				
<b>Seat</b>	P.F.A. coated		Suffix 'C'				
	Metal		Suffix 'M'				
	Viton		Suffix 'V'				
	P.T.F.E.		Suffix 'P'				

### Principle Dimensions

<b>Nominal size 'DN' (mm)</b>	15	20	25	40	50	65	80	100	125	150	200	250	300
<b>Length 'L' (mm)</b>	25	32	36	45	56	63	71	80	110	125	160	200	250
<b>Outside diameter 'DO' (mm)</b>	See table on page 3												
<b>Weight (Kg)</b>	0.4	0.6	1.0	1.5	2.5	3.0	5.0	7.0	12.0	20.0	30.0	45.0	65.0

Working temperatures up to 1000°C  
 Working pressures up to 425 Bar  
 Lugged style on request

Special springs on request  
 Larger sizes on request

#### Abacus Wafer Check Valves

t: +44 (0)1505 681777  
 f: +44 (0)1505 683999

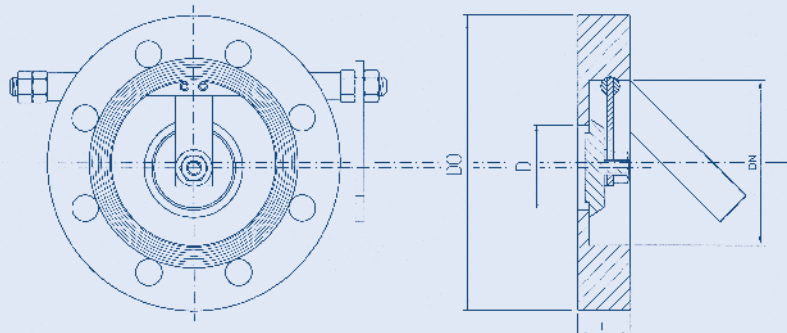
www.abacusvalves.com  
 sales@abacusvalves.com

Block 4 Lochshore East  
 Industrial Estate Glengarnoch  
 Ayrshire KA14 3DB

#### NOTES

- Wafer pattern design offers significant space and weight reduction compared with traditional flanged valve design
- Superior by design
- 24 hour quotation turn around
- Comprehensive stocks
- Worldwide distribution
- Technical assistance and advice always available





## SPECIAL CHARACTERISTICS

- Lightweight
- Extremely compact
- Economical
- Low maintenance
- Easily installed
- Tight shut-off (resilient seat)

Model	910	920	940	950	960	970	980
<b>Body</b>	Bronze	Steel	316 S.S.	Monel	Titanium	Hastelloy	D.S.S.
<b>Disc</b>	Bronze	316 S.S.	316 S.S.	Monel	Titanium	Hastelloy	D.S.S.
<b>Shaft</b>	Monel	316 S.S.	316 S.S.	Monel	Titanium	Hastelloy	D.S.S.
<b>Seat</b>		Metal			Suffix 'M'		
		Viton			Suffix 'V'		
		P.T.F.E.			Suffix 'P'		

## Principle Dimensions

<b>Nominal size 'DN' (mm)</b>	80	100	125	150	200	250	300
<b>Inlet bore 'DI' (mm)</b>	57	80	102	125	166	208	250
<b>Min. out. pipe bore (mm)</b>	78	100	125	150	200	250	300
<b>Length 'L' (mm)</b>	36	36	36	36	42	47	52
<b>Outside diameter 'DO' (mm)</b>	See table on page 3						
<b>Weight (Kg)</b>	6	8	10	14	20	35	57

Working temperatures up to 600°C

Working pressures up to 100 Bar

Lugged style on request

Larger sizes on request

## Abacus Wafer Check Valves

t: +44 (0)1505 681777

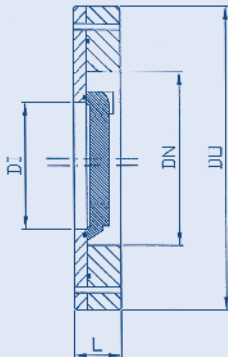
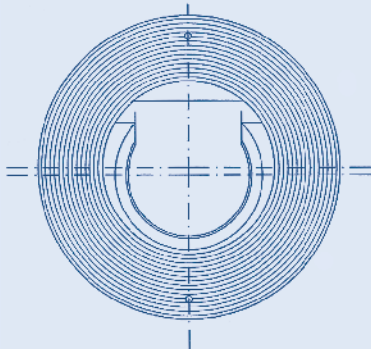
f: +44 (0)1505 683999

www.abacusvalves.com  
sales@abacusvalves.com

Block 4 Lochshore East  
Industrial Estate Glengarnoch  
Ayrshire KA14 3DB

## NOTES

- Wafer pattern design offers significant space and weight reduction compared with traditional flanged valve design
- Superior by design
- 24 hour quotation turn around
- Comprehensive stocks
- Worldwide distribution
- Technical assistance and advice always available



### SPECIAL CHARACTERISTICS

- Lightweight
- Extremely compact
- Economical
- Low maintenance
- Easily installed
- Tight shut-off (resilient seat)
- One moving part
- Retained disc
- One piece disc and shaft for maximum strength
- Complies with API 6D
- Suitable for all common flanges

Model	716	726	746	756	766	776	786
<b>Body</b>	Bronze	Steel	316 S.S.	Monel	Titanium	Hastelloy	D.S.S.
<b>Seat Carrier</b>	Bronze	316 S.S.	316 S.S.	Monel	Titanium	Hastelloy	D.S.S.
<b>Disc</b>	Bronze	316 S.S.	316 S.S.	Monel	Titanium	Hastelloy	D.S.S.

<b>Seat</b>	Metal	Suffix 'M'
	Viton	Suffix 'V'
	P.T.F.E.	Suffix 'P'

### Principle Dimensions

<b>Nominal size 'DN' (mm)</b>	40	50	65	80	100	125	150	200	250	300
<b>Inlet bore 'DI' (mm)</b>	26	35	46	57	80	102	125	166	208	250
<b>Min. out. pipe bore (mm)</b>	40	50	65	78	100	125	150	200	250	300
<b>Length 'L' (mm)</b>	19	19	19	19	19	19	19	29	29	38
<b>Outside diameter 'DO' (mm)</b>	See table on page 3									
<b>Weight (Kg)</b>	1	2	2	3	4	5	6	14	25	50

Working temperatures up to 600°C  
Working pressures up to 100 Bar  
Lugged style on request

Larger sizes on request  
Higher pressures on request

### Abacus Wafer Check Valves

t: +44 (0)1505 681777  
f: +44 (0)1505 683999

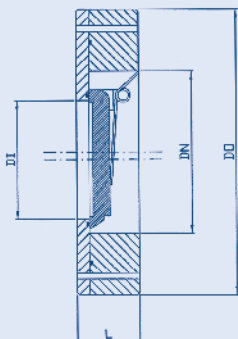
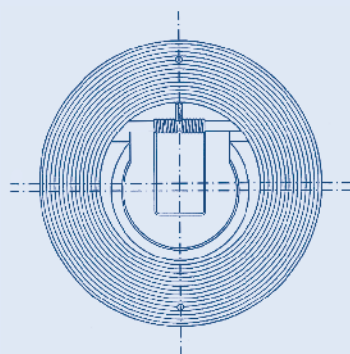
www.abacusvalves.com  
sales@abacusvalves.com

Block 4 Lochshore East  
Industrial Estate Glengarnoch  
Ayrshire KA14 3DB

### NOTES

- Wafer pattern design offers significant space and weight reduction compared with traditional flanged valve design
- Superior by design
- 24 hour quotation turn around
- Comprehensive stocks
- Worldwide distribution
- Technical assistance and advice always available

# SHORT PATTERN SPRUNG SWING TYPE WAFER CHECK VALVE



## SPECIAL CHARACTERISTICS

- Lightweight
- Compact
- Economical
- Low maintenance
- Easily installed
- Tight shut-off (resilient seat)
- Anti slam
- Retained disc
- One piece disc and shaft for maximum strength

Model	916	926	946	956	966	976	986
<b>Body</b>	Bronze	Steel	316 S.S.	Monel	Titanium	Hastelloy	D.S.S.
<b>Seat Carrier</b>	Bronze	316 S.S.	316 S.S.	Monel	Titanium	Hastelloy	D.S.S.
<b>Disc</b>	Bronze	316 S.S.	316 S.S.	Monel	Titanium	Hastelloy	D.S.S.
<b>Pin</b>	Monel	316 S.S.	316 S.S.	Monel	Titanium	Hastelloy	D.S.S.

<b>Spring</b>	Inconel-X	Suffix 'X'
	Titanium	Suffix 'T'
	Hastelloy	Suffix 'H'

<b>Seat</b>	Metal	Suffix 'M'
	Viton	Suffix 'V'
	P.T.F.E.	Suffix 'P'

## Principle Dimensions

<b>Nominal size 'DN' (mm)</b>	40	50	65	80	100	125	150	200	250	300
<b>Inlet bore 'DI' (mm)</b>	26	35	46	57	80	102	125	166	208	250
<b>Min. out. pipe bore (mm)</b>	40	50	65	80	100	125	150	200	250	300
<b>Length 'L' (mm)</b>	27	27	27	27	27	32	32	42	47	52
<b>Outside diameter 'DO' (mm)</b>	See table on page 3									
<b>Weight (Kg)</b>	2	2	3	4	5	6	7	16	27	54

Working temperatures up to 600°C  
 Working pressures up to 100 Bar  
 Lugged style on request

Larger sizes on request  
 Higher pressures on request

### Abacus Wafer Check Valves

t: +44 (0)1505 681777  
 f: +44 (0)1505 683999

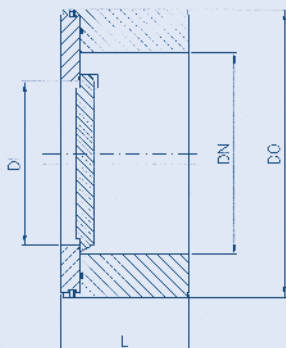
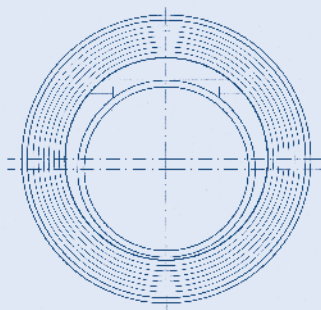
www.abacusvalves.com  
 sales@abacusvalves.com

Block 4 Lochshore East  
 Industrial Estate Glengarnoch  
 Ayrshire KA14 3DB

### NOTES

- Wafer pattern design offers significant space and weight reduction compared with traditional flanged valve design
- Superior by design
- 24 hour quotation turn around
- Comprehensive stocks
- Worldwide distribution
- Technical assistance and advice always available





### SPECIAL CHARACTERISTICS

- Lightweight
- Compact
- Economical
- Easily installed
- Anti slam
- Tight shut-off (resilient seat)
- Low maintenance
- One piece disc and shaft for maximum strength
- Complies with API 594
- Suitable for all common flanges
- One moving part

Model	517	527	547	557	567	577	587
<b>Body</b>	Bronze	Steel	316 S.S.	Monel	Titanium	Hastelloy	D.S.S.
<b>Seat Carrier</b>	Bronze	316 S.S.	316 S.S.	Monel	Titanium	Hastelloy	D.S.S.
<b>Disc</b>	Bronze	316 S.S.	316 S.S.	Monel	Titanium	Hastelloy	D.S.S.
<b>Pin</b>	Monel	316 S.S.	316 S.S.	Monel	Titanium	Hastelloy	D.S.S.

<b>Seat</b>	Metal	Suffix 'M'
	Viton	Suffix 'V'
	P.T.F.E.	Suffix 'P'

### Principle Dimensions

<b>Nominal size 'DN' (mm)</b>	40	50	65	80	100	125	150	200	250	300
<b>Inlet bore 'DI' (mm)</b>	26	35	46	57	80	102	125	166	208	250
<b>Length 'L' (mm)</b>	60	60	67	73	73	86	98	127	146	181
<b>Outside diameter 'DO' (mm)</b>	See table on page 3									
<b>Weight (Kg)</b>	2	3	4	5	7	14	15	30	50	90

Working temperatures up to 600°C  
 Working pressures up to 100 Bar  
 Lugged style on request  
 Larger sizes on request  
 Higher pressures on request

#### Abacus Wafer Check Valves

t: +44 (0)1505 681777  
 f: +44 (0)1505 683999

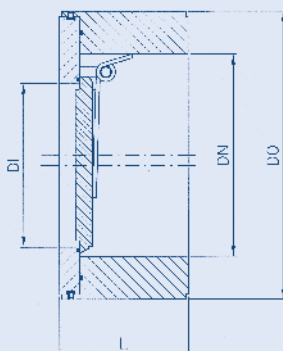
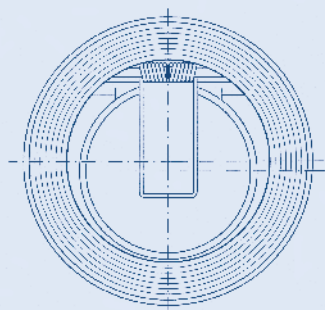
www.abacusvalves.com  
 sales@abacusvalves.com

Block 4 Lochshore East  
 Industrial Estate Glengarnoch  
 Ayrshire KA14 3DB

#### NOTES

- Wafer pattern design offers significant space and weight reduction compared with traditional flanged valve design
- Superior by design
- 24 hour quotation turn around
- Comprehensive stocks
- Worldwide distribution
- Technical assistance and advice always available

# LONG PATTERN SPRUNG SWING TYPE WAFER CHECK VALVE



## SPECIAL CHARACTERISTICS

- Lightweight
- Compact
- Economical
- Easily installed
- Anti slam
- Tight shut-off (resilient seat)
- Low maintenance
- One piece disc and shaft for maximum strength
- Complies with API 594
- Suitable for all common flanges
- Retained disc

Model	518	528	548	558	568	578	588
<b>Body</b>	Bronze	Steel	316 S.S.	Monel	Titanium	Hastelloy	D.S.S.
<b>Seat Carrier</b>	Bronze	316 S.S.	316 S.S.	Monel	Titanium	Hastelloy	D.S.S.
<b>Disc</b>	Bronze	316 S.S.	316 S.S.	Monel	Titanium	Hastelloy	D.S.S.
<b>Pin</b>	Monel	316 S.S.	316 S.S.	Monel	Titanium	Hastelloy	D.S.S.

<b>Spring</b>	Inconel-X	Suffix 'X'
	Titanium	Suffix 'T'
	Hastelloy	Suffix 'H'
<b>Seat</b>	Metal	Suffix 'M'
	Viton	Suffix 'V'
	P.T.F.E.	Suffix 'P'

## Principle Dimensions

<b>Nominal size 'DN' (mm)</b>	40	50	65	80	100	125	150	200	250	300
<b>Inlet bore 'DI' (mm)</b>	26	35	46	57	80	102	125	166	208	250
<b>Length 'L' (mm)</b>	60	60	67	73	73	86	98	127	146	181
<b>Outside diameter 'DO' (mm)</b>	See table on page 3									
<b>Weight (Kg)</b>	2	3	4	5	7	14	15	30	50	90

Working temperatures up to 600°C  
 Working pressures up to 100 Bar  
 Lugged style on request  
 Larger sizes on request  
 Higher pressures on request

### Abacus Wafer Check Valves

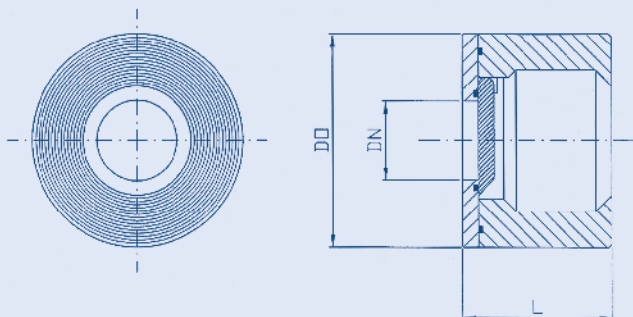
t: +44 (0)1505 681777  
 f: +44 (0)1505 683999

www.abacusvalves.com  
 sales@abacusvalves.com

Block 4 Lochshore East  
 Industrial Estate Glengarnoch  
 Ayrshire KA14 3DB

### NOTES

- Wafer pattern design offers significant space and weight reduction compared with traditional flanged valve design
- Superior by design
- 24 hour quotation turn around
- Comprehensive stocks
- Worldwide distribution
- Technical assistance and advice always available



## SPECIAL CHARACTERISTICS

- Full bore
- Lightweight
- Compact
- Economical
- Low maintenance
- Easily installed
- Tight shut-off (resilient seat)
- One moving part
- One piece disc and shaft for maximum strength
- Retained disc

Model	719	729	749	759	769	779	789
<b>Body</b>	Bronze	Steel	316 S.S.	Monel	Titanium	Hastelloy	D.S.S.
<b>Seat Carrier</b>	Bronze	316 S.S.	316 S.S.	Monel	Titanium	Hastelloy	D.S.S.
<b>Disc</b>	Bronze	316 S.S.	316 S.S.	Monel	Titanium	Hastelloy	D.S.S.
<b>Seat</b>	Metal		Suffix 'M'				
	Viton		Suffix 'V'				
	P.T.F.E.		Suffix 'P'				

## Principle Dimensions

<b>Nominal size 'DN' (mm)</b>	15	20	25	40	50	65	80	100
<b>Length 'L' (mm)</b>	37	44	51	68	78	93	108	130
<b>Outside diameter 'DO' (mm)</b>	See table on page 3							
<b>Weight (Kg)</b>	0.5	0.7	1.0	1.8	2.5	4.0	6.0	8.0

Working temperatures up to 600°C  
 Working pressures up to 100 Bar  
 Lugged style on request  
 Larger sizes on request  
 Higher pressures on request

### Abacus Wafer Check Valves

t: +44 (0)1505 681777  
 f: +44 (0)1505 683999

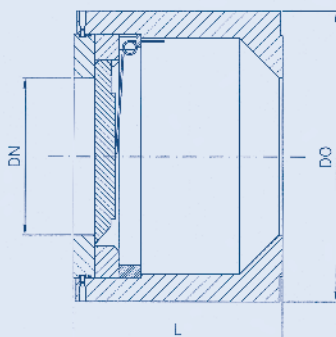
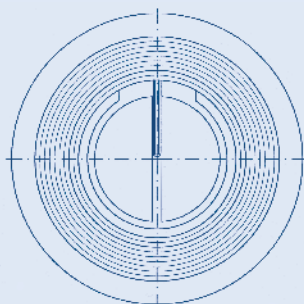
www.abacusvalves.com  
 sales@abacusvalves.com

Block 4 Lochshore East  
 Industrial Estate Glengarnoch  
 Ayrshire KA14 3DB

### NOTES

- Wafer pattern design offers significant space and weight reduction compared with traditional flanged valve design
- Superior by design
- 24 hour quotation turn around
- Comprehensive stocks
- Worldwide distribution
- Technical assistance and advice always available





## SPECIAL CHARACTERISTICS

- Full bore
- Lightweight
- Compact
- Economical
- Easily installed
- Tight shut-off (resilient seat)
- One piece disc and shaft for maximum strength
- Anti slam

Model	519	529	549	559	569	579	589
<b>Body</b>	Bronze	Steel	316 S.S.	Monel	Titanium	Hastelloy	D.S.S.
<b>Seat Carrier</b>	Bronze	316 S.S.	316 S.S.	Monel	Titanium	Hastelloy	D.S.S.
<b>Disc</b>	Bronze	316 S.S.	316 S.S.	Monel	Titanium	Hastelloy	D.S.S.
<b>Pin</b>	Monel	316 S.S.	316 S.S.	Monel	Titanium	Hastelloy	D.S.S.

<b>Spring</b>	Inconel-X	Suffix 'X'
	Titanium	Suffix 'T'
	Hastelloy	Suffix 'H'

<b>Seat</b>	Metal	Suffix 'M'
	Viton	Suffix 'V'
	P.T.F.E.	Suffix 'P'

## Principle Dimensions

<b>Nominal size 'DN' (mm)</b>	15	20	25	40	50	65	80	100
<b>Length 'L' (mm)</b>	37	44	51	68	78	93	108	130
<b>Outside diameter 'DO' (mm)</b>	See table on page 3							
<b>Weight (Kg)</b>	0.5	0.7	1.0	1.8	2.5	4.0	6.0	8.0

Working temperatures up to 600°C  
 Working pressures up to 100 Bar  
 Lugged style on request  
 Larger sizes on request  
 Higher pressures on request

### Abacus Wafer Check Valves

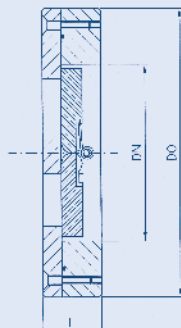
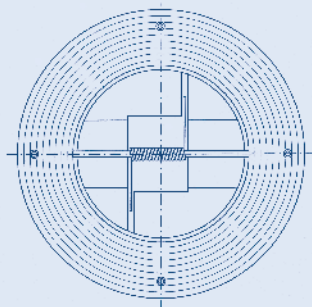
t: +44 (0)1505 681777  
 f: +44 (0)1505 683999

www.abacusvalves.com  
 sales@abacusvalves.com

Block 4 Lochshore East  
 Industrial Estate Glengarnoch  
 Ayrshire KA14 3DB

### NOTES

- Wafer pattern design offers significant space and weight reduction compared with traditional flanged valve design
- Superior by design
- 24 hour quotation turn around
- Comprehensive stocks
- Worldwide distribution
- Technical assistance and advice always available



## SPECIAL CHARACTERISTICS

- Lightweight
- Compact
- Economical
- Easily installed
- Tight shut-off (resilient seat)
- Suitable for all common flanges
- Anti slam

Model	917	927	947	957	967	977	987
<b>Body</b>	Bronze	Steel	316 S.S.	Monel	Titanium	Hastelloy	D.S.S.
<b>Seat Carrier</b>	Bronze	316 S.S.	316 S.S.	Monel	Titanium	Hastelloy	D.S.S.
<b>Plates</b>	Bronze	316 S.S.	316 S.S.	Monel	Titanium	Hastelloy	D.S.S.
<b>Pin</b>	316 S.S.	316 S.S.	316 S.S.	Monel	Titanium	Hastelloy	D.S.S.

<b>Spring</b>	Inconel	Suffix 'I'
	Inconel-X	Suffix 'X'
	Titanium	Suffix 'T'
	Hastelloy	Suffix 'H'

<b>Seat</b>	Metal	Suffix 'M'
	Viton	Suffix 'V'
	P.T.F.E.	Suffix 'P'

## Principle Dimensions

<b>Nominal size 'DN' (mm)</b>	50	65	80	100	125	150	200	250	300
<b>Min. out. pipe bore (mm) (metal)</b>	50	65	80	100	125	150	200	250	300
<b>Length 'L' (mm)</b>	17	20	24	27	32	32	45	47	58
<b>Outside diameter 'DO' (mm)</b>	See table on page 3								
<b>Weight (Kg)</b>	2	3	4	5	7	8	20	35	60

Working temperatures up to 600°C  
 Working pressures up to 100 Bar  
 Lugged style on request

Larger sizes on request  
 Higher pressures on request

### Abacus Wafer Check Valves

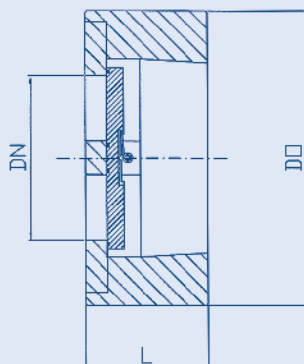
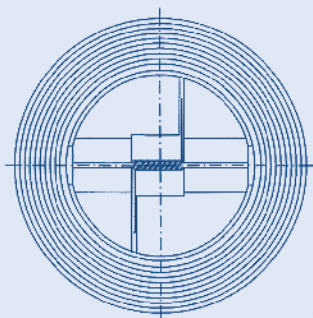
t: +44 (0)1505 681777  
 f: +44 (0)1505 683999

www.abacusvalves.com  
 sales@abacusvalves.com

Block 4 Lochshore East  
 Industrial Estate Glengarnoch  
 Ayrshire KA14 3DB

### NOTES

- Wafer pattern design offers significant space and weight reduction compared with traditional flanged valve design
- Superior by design
- 24 hour quotation turn around
- Comprehensive stocks
- Worldwide distribution
- Technical assistance and advice always available



### SPECIAL CHARACTERISTICS

- Lightweight
- Compact
- Economical
- Easily installed
- Tight shut-off (resilient seat)
- Anti-slam
- Complies fully with API 594
- Suitable for all common flanges
- Full flow area

Model	919	929	939	949
<b>Body</b>	Bronze	Steel	410 S.S.	316 S.S.
<b>Seat Carrier</b>	Bronze	316 S.S.	410 S.S.	316 S.S.
<b>Plates</b>	Bronze	316 S.S.	410 S.S.	316 S.S.
<b>Pin</b>	316 S.S.	316 S.S.	410 S.S.	316 S.S.

Model	959	969	979	989
<b>Body</b>	Monel	Titanium	Hastelloy	D.S.S.
<b>Seat Carrier</b>	Monel	Titanium	Hastelloy	D.S.S.
<b>Plates</b>	Monel	Titanium	Hastelloy	D.S.S.
<b>Pin</b>	Monel	Titanium	Hastelloy	D.S.S.

<b>Spring</b>	Inconel	Suffix 'I'	Titanium	Suffix 'T'
	Inconel-X	Suffix 'X'	Hastelloy	Suffix 'H'

<b>Seat</b>	Metal	Suffix 'M'
	Viton	Suffix 'V'
	P.T.F.E.	Suffix 'P'

Principle Dimensions										
<b>Nominal size 'DN' (mm)</b>	40	50	65	80	100	125	150	200	250	300
<b>Length 'L' (mm)</b>	60	60	67	73	73	86	98	127	146	181
<b>Outside diameter 'DO' (mm)</b>	See table on page 3									
<b>Weight (Kg)</b>	3	4	5	6	8	15	18	35	55	95

Working temperatures up to 600°C  
 Working pressures up to 100 Bar  
 Lugged style on request

Larger sizes on request  
 Higher pressures on request

### Abacus Wafer Check Valves

t: +44 (0)1505 681777  
 f: +44 (0)1505 683999

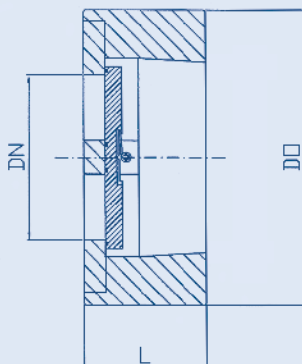
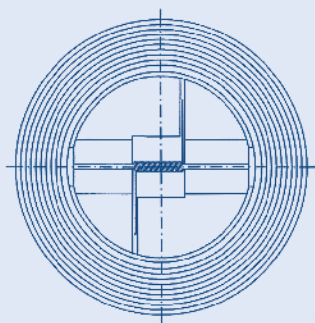
www.abacusvalves.com  
 sales@abacusvalves.com

Block 4 Lochshore East  
 Industrial Estate Glengarnoch  
 Ayrshire KA14 3DB

### NOTES

- Wafer pattern design offers significant space and weight reduction compared with traditional flanged valve design
- Superior by design
- 24 hour quotation turn around
- Comprehensive stocks
- Worldwide distribution
- Technical assistance and advice always available





## SPECIAL CHARACTERISTICS

- Lightweight
- Compact
- Economical
- Easily installed
- Tight shut-off (resilient seat)
- Anti-slam
- Complies fully with API 594
- Full flow area
- Suitable for all common flanges

Model	918	928	948	958	968	978	988
<b>Body</b>	Bronze	Steel	316 S.S.	Monel	Titanium	Hastelloy	D.S.S.
<b>Seat Carrier</b>	Bronze	316 S.S.	316 S.S.	Monel	Titanium	Hastelloy	D.S.S.
<b>Plates</b>	Bronze	316 S.S.	316 S.S.	Monel	Titanium	Hastelloy	D.S.S.
<b>Pin</b>	316 S.S.	316 S.S.	316 S.S.	Monel	Titanium	Hastelloy	D.S.S.

<b>Spring</b>	Inconel	Suffix 'I'
	Inconel-X	Suffix 'X'
	Titanium	Suffix 'T'
	Hastelloy	Suffix 'H'
<b>Seat</b>	Metal	Suffix 'M'
	Viton	Suffix 'V'
	P.T.F.E.	Suffix 'P'

## Principle Dimensions

<b>Nominal size 'DN' (mm)</b>	50	65	80	100	125	150	200	250	300
<b>Length 'L' (mm)</b>	60	67	73	73	86	98	127	146	181
<b>Outside diameter 'DO' (mm)</b>	See table on page 3								
<b>Weight (Kg)</b>	4	5	6	8	15	18	35	55	95

Working temperatures up to 600°C  
 Working pressures up to 100 Bar  
 Lugged style on request  
 Larger sizes on request  
 Higher pressures on request

## Abacus Wafer Check Valves

t: +44 (0)1505 681777  
 f: +44 (0)1505 683999

www.abacusvalves.com  
 sales@abacusvalves.com

Block 4 Lochshore East  
 Industrial Estate Glengarnoch  
 Ayrshire KA14 3DB

## NOTES

- Wafer pattern design offers significant space and weight reduction compared with traditional flanged valve design
- Superior by design
- 24 hour quotation turn around
- Comprehensive stocks
- Worldwide distribution
- Technical assistance and advice always available

ALLIED COLLOIDS	AMERSHAM INTERNATIONAL
AMEC	ASSOCIATED OCTEL
ANGLIAN WATER	BAKER PROCESS
ASTRAZENECA	BECHTEL
BAYER	BP CHEMICALS
BIWATER EUROPE	BRITISH GAS
BP OIL	BUSH BOAKE ALLEN
BOC	CHEVRON OIL
CHILTERN WATER	CRODA RESIN
CLEANAWAY	CYANAMID
CROWN HOUSE	ECC
DOW CORNING	FOSTER WHEELER ENERGY
EXXONMOBIL CHEMICAL	GLAXOSMITHKLINE
GREAT LAKES UK	HOLLIDAY DYES AND CHEMICALS
HALLIBURTON B & R	JACOBS INTERNATIONAL
HYROLEC TECHNICAL SERVICES	KENNICOTT WATER SYSTEMS
INTEC AEA TECHNOLOGY	KVAERNER PROCESS
JOHN CRANE	LEVER BROTHERS
KODAK	LINDE GAS
LAPORTE FINE CHEMICALS	MILLENIUM INORGANIC CHEMICALS
LINDE CRYOGENICS	NATIONAL POWER
LIQUID GAS EQUIPMENT	NESTLES
MITCHELL COTTS CHEMICALS	NORSK HYDRO
NOVARTIS	PAKISTAN PETROLEUM
PALL EUROPE	PCI MEMBRANE SYSTEMS
PHILLIPS PETROLEUM	PROCTOR & GAMBLE
RESINOUS CHEMICALS	RHODIA
ROCHE PRODUCTS	SALT UNION
SCM CHEMICALS	SEVERN TRENT WATER
STATOIL	SHELL
STERLING ORGANICS	SULZER UK
SYGENTA	TEXACO
THAMES WATER	TIOXIDE
TOTAL OIL	TOYOTA
VIVENDI DEWPLAN	WARWICK INTERNATIONAL
WELSH WATER	YORKSHIRE CHEMICALS
SIEMENS	







t: +44 (0)1505 681777 f: +44 (0)1505 683999

[www.abacusvalves.com](http://www.abacusvalves.com) [sales@abacusvalves.com](mailto:sales@abacusvalves.com)

Block 4 Lochshore East Industrial Estate Glengarnoch Ayrshire KA14 3DB

Distributor Norway | J.S.Cock AS | [www.jsc.no](http://www.jsc.no) | [post@jsc.no](mailto:post@jsc.no)