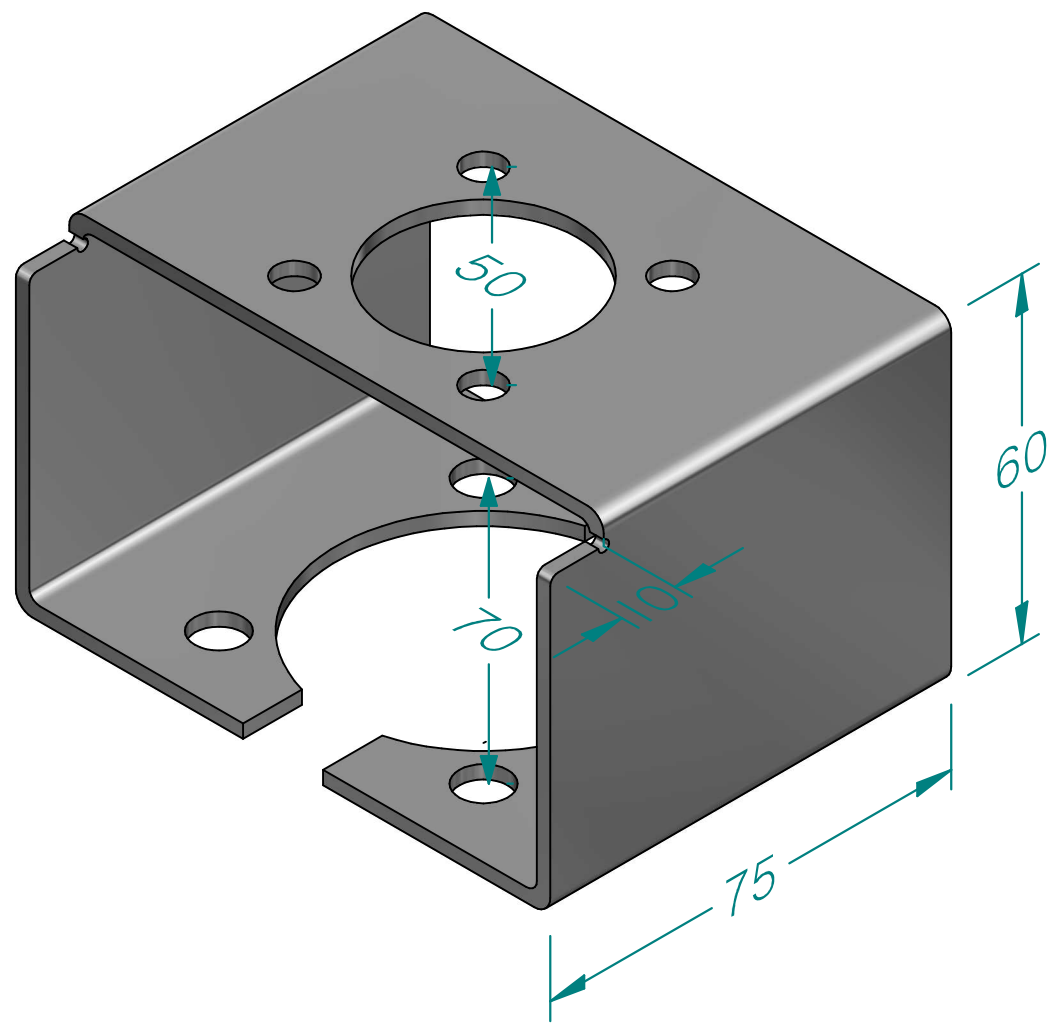


TITLE U-BRACKET FOR JSC70103 OG JSC70103B P-JSC-M557-08-02, Tegn: M557-08-02		NAME	DATE	SIZE	DWG NO
	DRAWN	CHCO	29.06.2018	A3	AAS10044
	CHECKED	TOCO	29.06.2018	FILE NAME: AAS10044.dft	
	ENG APPR	TOCO	dd.mm.yyyy	SCALE: 1:1	REV:
	MGR APPR	TOCO	dd.mm.yyyy	WEIGHT: 0,362 kg	SHEET: 1 OF 2

UNLESS OTHERWISE SPECIFIED DIMENSIONS ARE IN MILLIMETERS AND TOLERANCES ARE +/-0,5

REV	DESCRIPTION	DATE	APPROVED
REVISION HISTORY			



TITLE U-BRACKET FOR JSC70103 OG JSC70103B P-JSC-M557-08-02, Tegn: M557-08-02		NAME	DATE	SIZE	DWG NO	UNLESS OTHERWISE SPECIFIED DIMENSIONS ARE IN MILLIMETERS AND TOLERANCES ARE +/-0,5
	DRAWN	CHCO	29.06.2018	A3	AAS10044	
	CHECKED	TOCO	29.06.2018	FILE NAME: AAS10044.dft		
	ENG APPR	TOCO	dd.mm.yyyy	SCALE: 1:1	REV:	
	MGR APPR	TOCO	dd.mm.yyyy	WEIGHT: 0,362 kg	SHEET: 2 OF 2	

REV	DESCRIPTION	DATE	APPROVED
REVISION HISTORY			