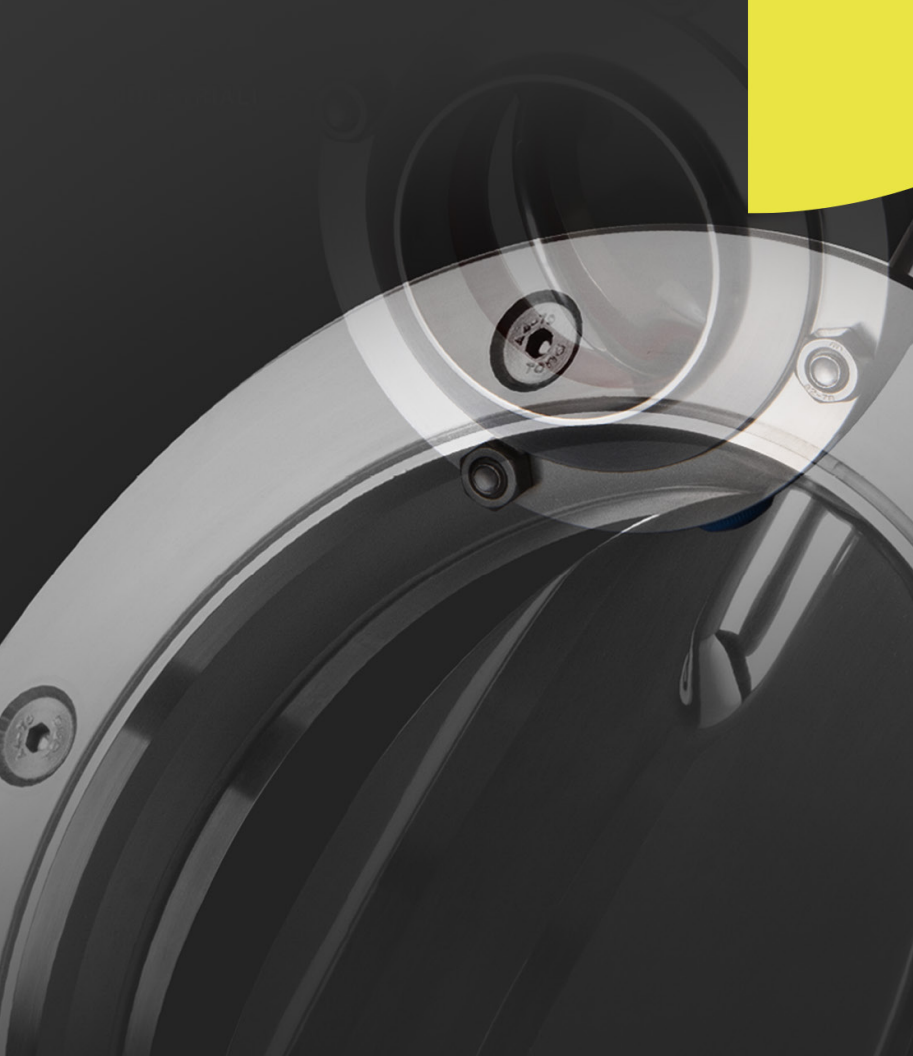


2024

PRODUCTS CATALOGUE



SUMMARY

01

NON RETURN CHECK VALVES

Swing Check valve CV
Swing Check valve CS
Disc check valve DCEL
Dual Plate Check valve
Counterweight check valve CC

02

BUTTERFLY VALVES

Butterfly Valve series BV/BVT
Butterfly Valve series BR/BRT
Butterfly Valve series VFI
Butterfly Valve series BVS
Butterfly Valve series CH
Butterfly Valve series DV0-2 DV4

03

SIGHT GLASSES

Sight Glasses series S, W, R

04

BALL VALVES

Trunnion Ball Valve TV



01

NON RETURN CHECK VALVES



SERIES CV CLAPET VALVE

In compliance with PED 97/23/EC



[Back to summary](#)

www.meivalvole.it
info@meivalvole.it

TECHNICAL DETAILS

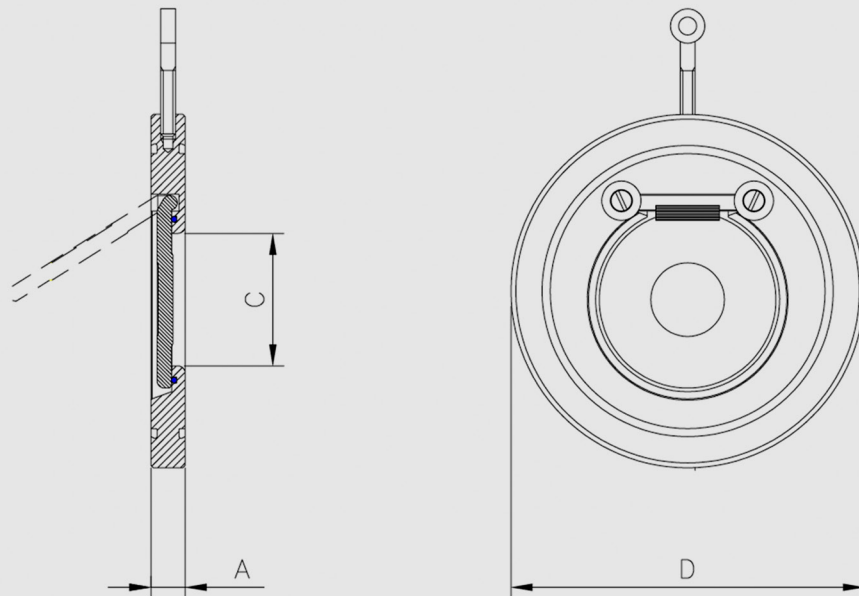
Wafer design	Metal/metal seat or soft seal (NBR, EPDM, PTFE, FKM)
Self-centering	Series DN 32 - DN 800
Light weight and small face to face	Suitable for flange UNI PN 6, 10, 16, 25 e ANSI 150 RF
Low pressure drop	Further materials and special execution upon request: - series ANSI 300 + ANSI 1500 RF e RTJ - series PN 40 + PN 250
Easy to install and maintenance	
Standard materials: zinc plated carbon steel, stainless steel 316, alu-bronze	

WORKING PRESSURE

PN6	6 Kg/cm ²	85 Psi
PN10	10 Kg/cm ²	142 Psi
PN16	16 Kg/cm ²	227 Psi
PN25	25 Kg/cm ²	355 Psi
ANSI150	20 Kg/cm ²	284 Psi

MINIMUM OPENING PRESSURE (mbar)

Flow Direction	DN 32 : DN 150	DN 200 : DN 300	DN 200 : DN 300
Horizontal open 10° →	3	3	6
Horizontal open 30° →	9	12	16
Horizontal open 60° →	13	19	26
Vertical unphill ↑	16	22	32
Vertical downphill ↓	-	-	- <i>It is not possible to use the valve in this position</i>



DIMENSIONS

DN		A	C	D PN6	D PN10	D PN16	D PN20	D ANSI150	WT PN10
mm	inch								Kg
32	1" ^{1/4}	14	17	78	84	84	84	76	0,6
40	1" ^{1/2}	14	22	88	95	95	95	86	0,7
50	2"	14	32	98	109	109	109	105	0,9
65	2" ^{1/2}	14	40	118	129	129	129	124	1,2
80	3"	14	54	134	144	144	144	137	1,5
100	4"	18	70	154	164	164	170	175	2,4
125	5"	18	92	184	195	195	198	195	3,4
150	6"	20	112	209	220	220	228	220	4,6
200	8"	22	154	264	275	275	285	279	7,5
250	10"	26	200	319	330	330	340	340	13,1
300	12"	32	240	375	380	387	403	410	20,4
350	14"	38	270	425	440	448	460	448	32,0
400	16"	44	310	475	490	495	514	514	48,0
450	18"	50	360	530	540	557	567	548	63,0
500	20"	56	405	580	595	617	624	605	87,0
600	24"	62	486	680	695	734	731	715	130,0
700	28"	68	580	785	810	805	833	830*	215,0
800	32"	80	670	890	917	911	942	937*	280,0

* Suitable for flange MSS SP-44 150 LBS

* DN40 ANSI150 standard with raised face, no external orings



SERIES CS CLAPET VALVE

In compliance with PED 97/23/EC



[Back to summary](#)

www.meivalvole.it
info@meivalvole.it

TECHNICAL DETAILS

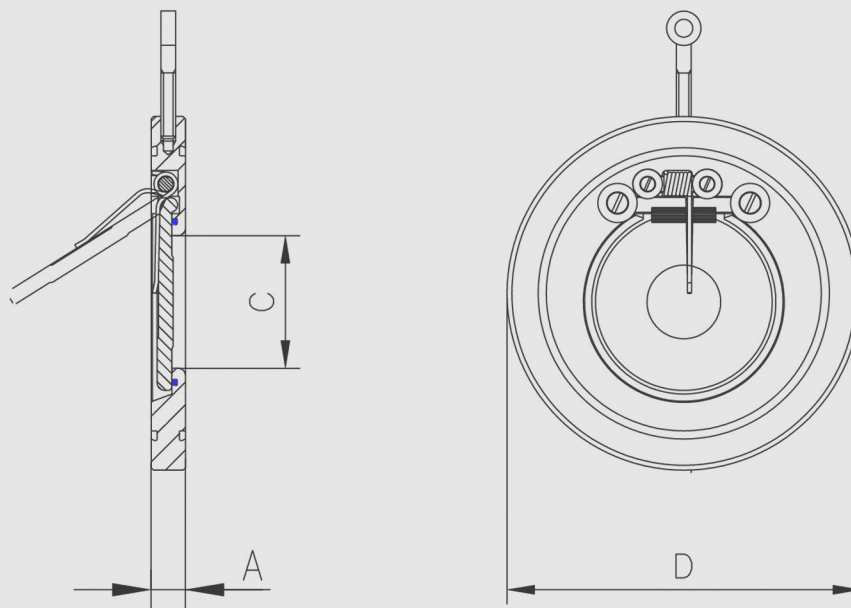
Wafer design	Metal/metal seat or soft seal (NBR, EPDM, PTFE, FKM)
Self-centering	Series DN 32 - DN 350
Light weight and small face to face	Suitable for fl anges EN1092-1:2001 PN6, 10, 16, 25 and ANSI150 RF
Low pressure drop	Further materials and special execution upon request: - series ANSI 300 + ANSI 1500 RF e RTJ - series PN 40 + PN 250
Easy to install and maintenance	
Standard materials: zinc plated carbon steel, stainless steel 316, alu-bronze	

WORKING PRESSURE

PN6	6 Kg/cm ²	85 Psi
PN10	10 Kg/cm ²	142 Psi
PN16	16 Kg/cm ²	227 Psi
PN25	25 Kg/cm ²	355 Psi
ANSI150	20 Kg/cm ²	284 Psi

MINIMUM OPENING PRESSURE (mbar)

Flow Direction	DN 32 : DN 150	DN 200 : DN 300
Horizontal open 10° →	13	15
Horizontal open 30° →	19	25
Horizontal open 60° →	23	32
Vertical unphill ↑	26	35
Vertical downphill ↓	10	10



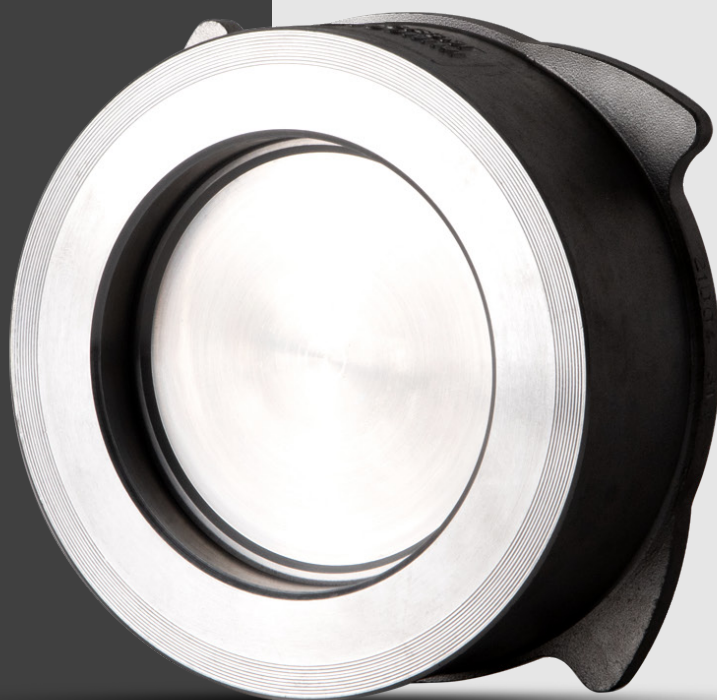
DIMENSIONS

DN		A	C	D PN6	D PN10	D PN16	D PN25	D ANSI150	WT PN10
mm	inch								Kg
32	1" ¹ / ₄	14	17	78	84	84	84	76	0,6
40	1" ¹ / ₂	14	22	88	95	95	95	86	0,7
50	2"	14	32	98	109	109	109	105	0,9
65	2" ¹ / ₂	14	40	118	129	129	129	124	1,2
80	3"	14	54	134	144	144	144	137	1,5
100	4"	18	70	154	164	164	170	175	2,4
125	5"	18	92	184	195	195	198	195	3,4
150	6"	20	112	209	220	220	228	220	4,6
200	8"	22	154	264	275	275	285	279	7,5
250	10"	26	200	319	330	330	340	340	13,1
300	12"	32	240	375	380	387	403	410	20,4
350	14"	38	270	425	440	448	460	448	32

* DN40 ANSI150 standard with raised face, no external orings



SERIES DCEL DISC VALVE

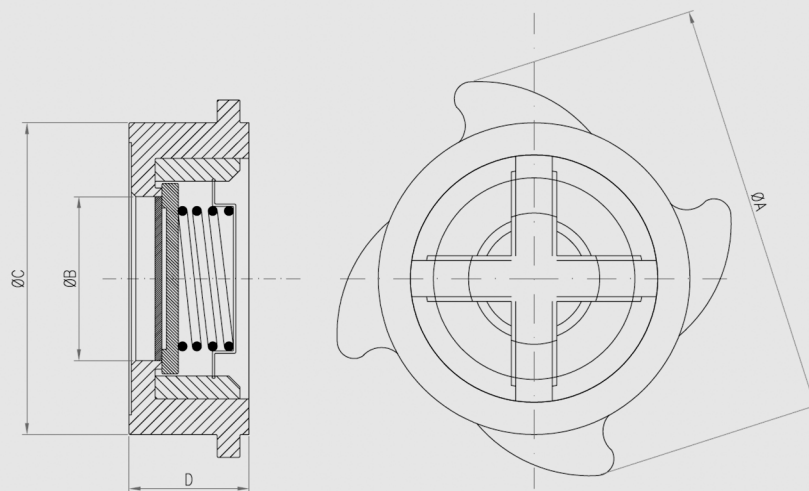


[Back to summary](#)

www.meivalvole.it
info@meivalvole.it

TECHNICAL DETAILS

Wafer design	Series DN 15 - DN 100
Self-centering	Suitable to be insert for flanges PN 6, 10, 16, 25, 40, ANSI 150, ANSI 300
Low pressure drop	Working pressure MAX 20 Bar
Easy to install and maintenance	For higher pressure please contact our offices
Can be installed on vertical pipelines with downhill flow	PTFE disc, special materials, calibrated spring upon request
Materials: acciaio inox AISI 316	
Metal/Metal seat, soft seat upon request	


DIMENSIONS

DN		A	B	C	D
mm	inch				
15	1/2"	60	15	38	16
20	3/4"	69,5	20	47	20
25	1"	80,5	25	55	22
32	1" 1/4	91	32	67	28
40	1" 1/2	101	40	76	32
50	2"	115	50	93	40
65	2" 1/2	142	65	109	46
80	3"	154	80	128	50
100	4"	184	100	148	60

* DN40 ANSI150 standard with raised face, no external orings



SERIES CD TWIN FLAP VALVE



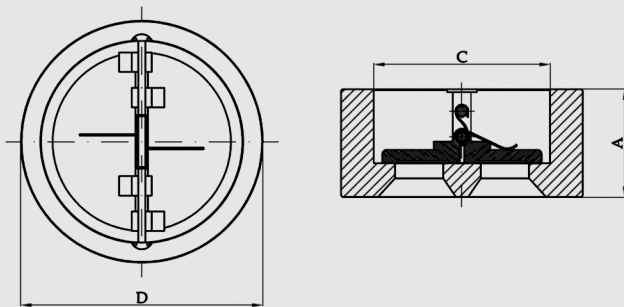
[Back to summary](#)

www.meivalvole.it
info@meivalvole.it

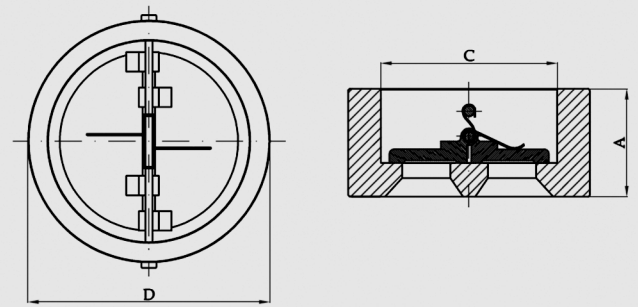
TECHNICAL DETAILS

Wafer design, Lug and double flanged upon request	Suitable for flanges UNI PN 10-40 ANSI 150-600
Self-centering	Face to face according to EN 558 - 1,16
Low pressure drop	Pressure test conform to API 598
Metal/metal seat EPDM - VITON - BUNA	Special executions upon request
Materials: zinc plated carbon steel body; stainless steel AISI 316, discs in AISI 316L/CF3M	
Series DN50 - DN 500	

Versione Retainerless



Version Retainer


DIMENSIONS

DN		ØC	A	ØD PN10	ØD PN16	ØD PN25	ØD PN40	ANSI150		ANSI300		ANSI600	
mm	inch							A	ØD	A	ØD	A	ØD
50	2"	65	43	109	109	109	109	60	105	60	109	60	110
65	2 1/2"	80	46	129	129	129	129	67	124	67	129	67	127
80	3"	94	64	144	144	144	144	73	137	73	144	73	147
100	4"	117	64	164	164	170	170	73	175	73	178	79	193
125	5"	140	70	195	195	198	198	86	195	86	213	98	239
150	6"	170	76	220	220	228	228	98	220	98	248	137	264
200	8"	224	89	275	275	285	293	127	279	127	306	165	318
250	10"	265	114	330	330	340	355	146	340	146	360	213	398
300	12"	310	114	380	387	403	420	178	410	178	420	229	455
350	14"	370	127	440	448	460	477	178	448	178	484	273	489
400	16"	430	140	490	495	514	549	190	514	232	539	305	563
500	20"	530	152	595	617	624	631	219	605	292	653	368	679

* DN40 ANSI150 standard with raised face, no external orings

TECHNICAL DETAILS
PRESSURE DROP CHART

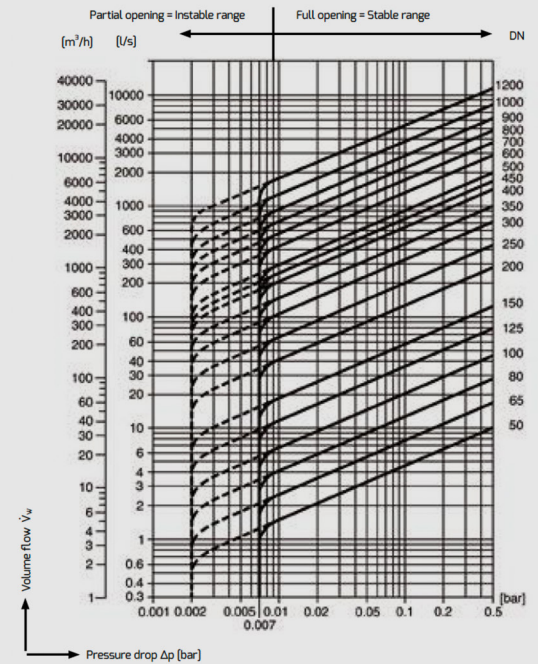
The chart is valid for water at 20°C; for other fluids, the equivalent water volumeflowrate must be calculated and used in the chart.

$$\dot{V}_w = \dot{V} \cdot \sqrt{\frac{\rho}{1000}}$$

\dot{V}_w = Equivalent water volume flow in [l/s] or [m³/h]

ρ = Density of fluid (operating condition) in [Kg/m³]

\dot{V} = Volume flow of fluid (operating condition) in [l/s] or [m³/h]

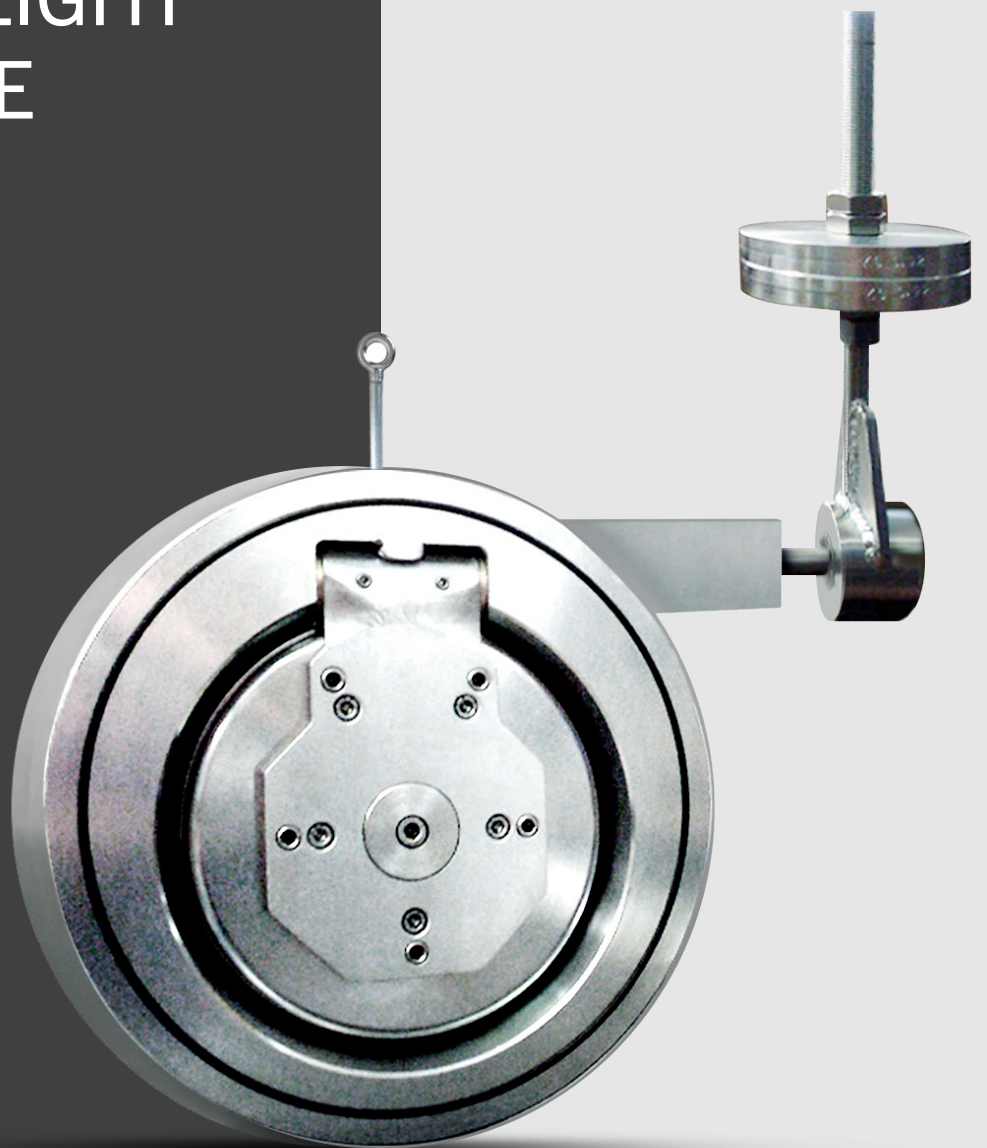


FLOW CHARACTERISTICS			OPENING PRESSURES			
Valves in horizontal lines. Flow with water at 20°C.						
DN		FULLY OPEN	DN		OPENING PRESSURES WITH UPWARD FLOW [MBAR]	
mm	inch	KVS - Value [m³/h]	mm	inch	without springs	with springs
50	2"	58	50	2"	6	13
65	2" 1/2	95	65	2" 1/2	6	13
80	3"	150	80	3"	7	14
100	4"	238	100	4"	7	14
125	5"	390	125	5"	10	17
150	6"	600	150	6"	11 (15)	18 (22)
200	8"	1439	200	8"	12 (18)	19 (25)
250	10"	2200	250	10"	14 (18)	21 (25)
300	12"	3800	300	12"	15 (25)	22 (32)
350	14"	5000	350	14"	17 (25)	24 (32)
400	16"	7100	400	16"	19 (25)	26 (32)
450	18"	8400	450	18"	22	29
500	20"	10180	500	20"	23 (28)	30 (35)
600	24"	14000	600	24"	24 (31)	31 (38)
700	28"	20000	700	28"	29	36
800	32"	25400	800	32"	35	42
900	36"	31000	900	36"	41	48
1000	40"	42000	1000	40"	43	50
1200	48"	60000	1200	48"	47	54

$C_v(\text{U.S.}) = 1.17 \cdot K_v$
 $C_v(\text{U.K.}) = 0.98 \cdot K_v$



SERIES CC COUNTERWEIGHT CHECK VALVE



[Back to summary](#)

www.meivalvole.it
info@meivalvole.it

TECHNICAL DETAILS

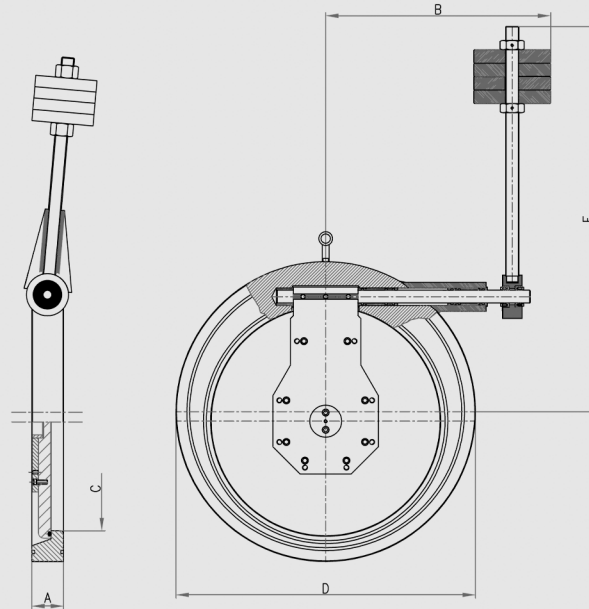
Wafer design	Materials: zinc plated carbon steel, stainless steel 316
Self-centering	Metal/metal seat or soft seals
Light weight and small face to face	Series DN 300 - DN 800
Low pressure drop	Suitable for flanges EN 1092-1:2001 PN 6, 10, 16, 25 and ANSI 150 RF
Easy to install and maintenance	

WORKING PRESSURE

PN6	6 Kg/cm ²	85 Psi
PN10	10 Kg/cm ²	142 Psi
PN16	16 Kg/cm ²	227 Psi
PN25	25 Kg/cm ²	355 Psi
ANSI150	20 Kg/cm ²	284 Psi

WORKING PRESSURE

The main characteristic of this valve is the regulation of the opening pressure which can be set considering the working conditions of the valve itself.



DIMENSIONS

DN		A	B	C	E	D PN6	D PN10	D PN16	D PN25	D ANSI150
mm	inch									
300	12"	48	390	240	510	375	380	387	403	410
350	14"	53	410	270	590	425	440	448	460	448
400	16"	58	460	310	615	475	490	495	514	514
450	18"	67	500	360	700	530	540	557	567	548
500	20"	72	530	405	800	580	595	617	624	605
600	24"	82	605	486	1050	680	695	734	731	715
700	28"	90	630	580	1155	785	810	805	833	830*
800	32"	98	700	670	1210	890	917	911	942	937*

*SUITABLE FOR FLANGES MSS SP-44 150 lbs



02

BUTTERFLY VALVES



SERIES BV/BVT BUTTERFLY VALVE



[Back to summary](#)

www.meivalvole.it
info@meivalvole.it

TECHNICAL DETAILS

Alimentary silicon seat, EPDM seat or PTFE shell with internal silicon seat or EPDM seat	Other finishing: electro-polished or upon request
SS 316L body and disc	Wide range of accessories
Easy to install, easy to clean	All valves can be equipped with pneumatic actuators, proximity limit switches and solenoid valves
Standard series DN 100 - DN 400	
Standard finishing: internal mirror polished (Ra<0,1), external satin finish (Ra<0,8)	

Components of Silicon and EPDM valves are not interchangeable with those in PTFE

TORQUE (NM)

DN	100	150	200	250	300	350	400
TORQUE Silicon seat Nm	20	31	80	110	130	160	185
TORQUE PTFE seat Nm	40	40	75	65	150	175	190

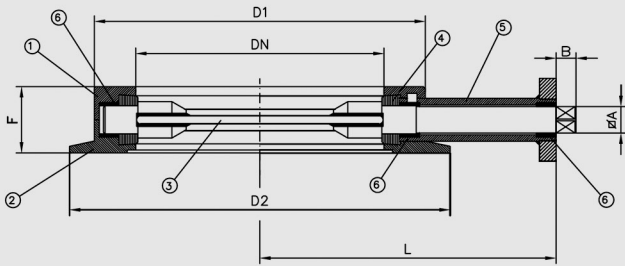
TOP FLANGE FOR ACTUATOR

DN	100	150	200	250	300	350	400
ISO 5211 Standard	F05	F05	F05	F05	F07	F10	F10

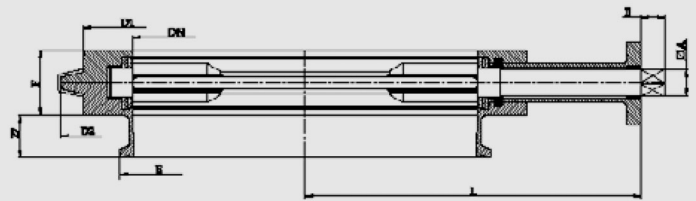
MATERIALS

Description	Material	Nr
UPPER FLANGE	EN 1.4404/ 316L	1
LOWER FLANGE	EN 1.4404/ 316L	1
DISC	EN 1.4404 / 316L	1
SEAT	SILICON FDA 177.2600 P.T.F.E.	1
SUPPORT	EN 1.4403 / 304	1
BUSHINGS	P.T.F.E.	3

Series BV



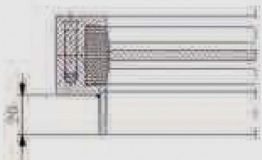
Series BVT


DIMENSIONS

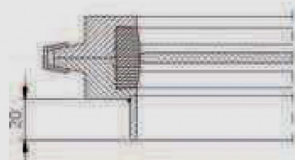
DN		D1	D2	F	L	A	B
mm	inch						
100	4"	150	180	36	131	11x11	16
150	6"	200	230	40	177	11x11	16
200	8"	250	280	40	202	11x11	16
250	10"	300	330	44	227	14x14	16
300	12"	350	380	46	254	17x17	19
350	14"	400	430	46	291	22x22	24
400	16"	450	500	50	316	22x22	24

MATERIALS

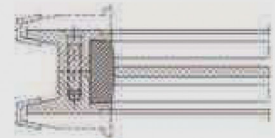
Description	Material	Nr
UPPER FLANGE	EN 1.4404/316L	1
LOWER FLANGE	EN 1.4404/316L	1
DISC	EN 1.4404/316L	1
SEAT	SILICON FDA 177.2600 P.T.F.E.	1
SUPPORT	EN 1.4403/304	1
BUSHINGS	P.T.F.E.	3

TYPE OF CONNECTIONS


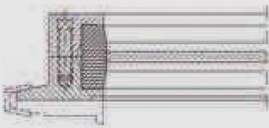
SX



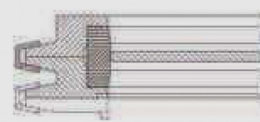
SR



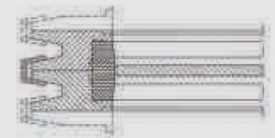
DC



CX



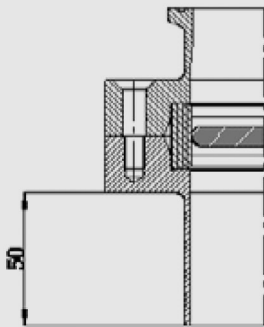
CR



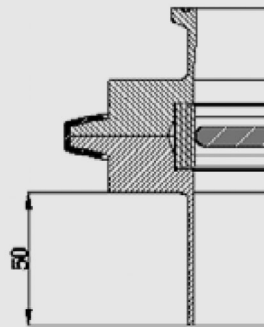
DR

DIMENSIONS

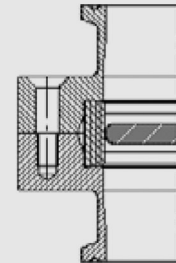
DN		D1	D2	A	B	E	F	L
mm	inch							
100	4"	150	180	11x11	16	119	36	131
150	6"	200	230	11x11	16	167	40	177
200	8"	250	280	11x11	16	217.7	40	202
250	10"	300	330	14x14	16	268.5	44	227
300	12"	350	380	17x17	19	319.3	46	254
350	14"	400	430	22x22	24		46	291
400	16"	450	500	22x22	24		50	316

TYPE OF CONNECTIONS


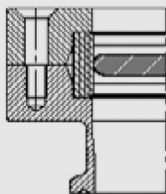
CXTW



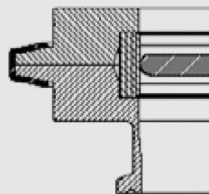
CRTW



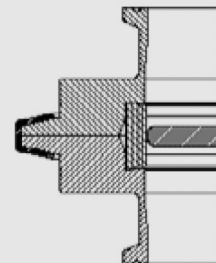
DCT



CXT

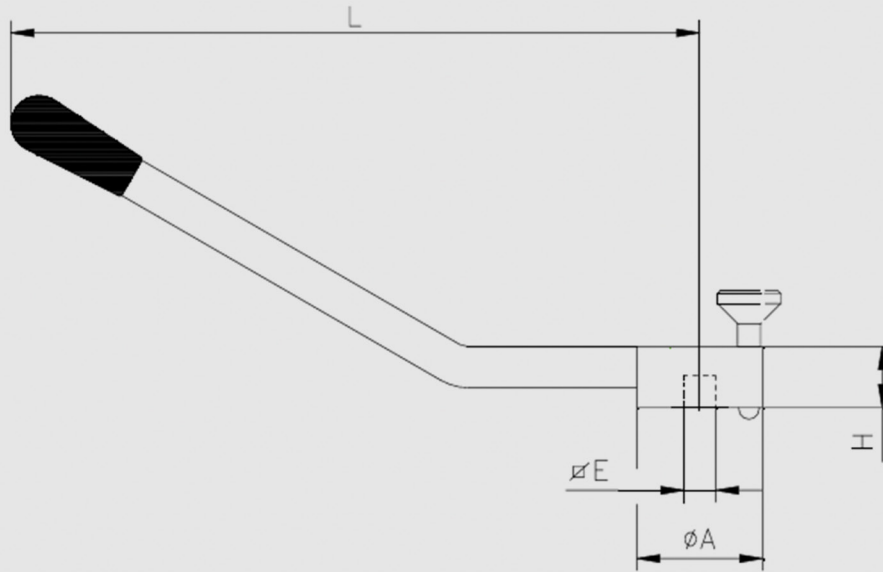


CRT



DRT

CONTROL'S SYSTEM - HANDLE IN AISI 304


DIMENSIONS

DN		A	E	H	L
mm	inch				
100	4"	50	11x11	24	240
150	6"	50	11x11	24	365
200	8"	50	11x11	24	365
250	10"	50	14x14	24	365
300	12"	50	17x17	24	395



SERIES BR/BRT BUTTERFLY VALVE



[Back to summary](#)

www.meivalvole.it
info@meivalvole.it

TECHNICAL DETAILS

Alimentary silicon seat, EPDM seat or PTFE shell with internal silicon or EPDM seat	Other finishing: electro-polished or upon request
SS 316L body and disc	Wide range of accessories
Easy to install, easy to clean	All valves can be equipped with pneumatic actuators, proximity limit switches and solenoid valves
Standard series DN 100 - DN 400	
Standard finishing: internal mirror polished (Ra<0,1), external satin finish (Ra<0,8)	

Components of Silicon and EPDM valves are not interchangeable with those in PTFE

TORQUE (NM)

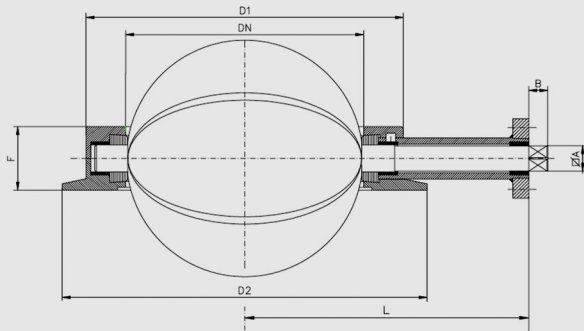
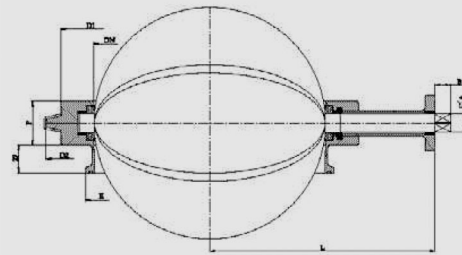
DN	100	150	200	250	300	350	400
TORQUE Silicon seat Nm	30	45	50	100	160	185	200
TORQUE PTFE seat Nm	40	50	95	120	175	200	220

TOP FLANGE FOR ACTUATOR

DN	100	150	200	250	300	350	400
ISO 5211 Standard	F05	F05	F05	F05	F07	F10	F10

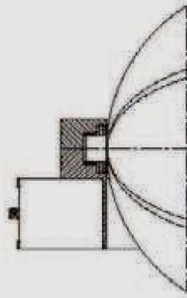
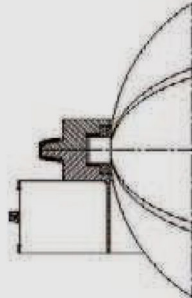
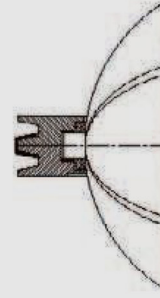
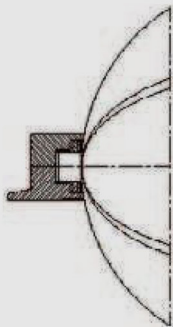
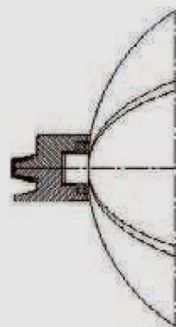
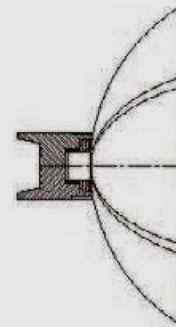
MATERIALS

Description	Material	Nr
UPPER FLANGE	EN 1.4404/316L	1
LOER FLANGE	EN 1.4404/316L	1
DISC	EN 1.4404/316L	1
SEAT	SILICON FDA 177.2600 P.T.F.E.	1
SUPPORT	EN 1.4403/304	1
BUSHINGS	P.T.F.E.	3

BR Series

BRT Series

DIMENSIONS

DN		D1	D2	F	L	A	B
mm	inch						
100	4"	150	180	36	131	11x11	16
150	6"	200	230	40	177	11x11	16
200	8"	250	280	40	202	11x11	16
250	10"	300	330	44	227	14x14	16
300	12"	350	380	46	254	17x17	19
350	14"	400	430	46	291	22x22	24
400	16"	450	500	50	316	22x22	24

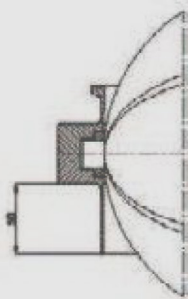
TYPE OF CONNECTIONS


SX

SR

DC

CX

CR

DR
MATERIALS

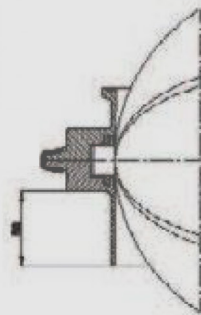
Description	Material	Nr
UPPER FLANGE	EN 1.4404/316L	1
LOWER FLANGE	EN 1.4404/316L	1
DISC	EN 1.4404/316L	1
SEAT	SILICONE FDA 177.2600 P.T.F.E.	1
SUPPORT	EN 1.4403/304	1
BUSHINGS	P.T.F.E.	3

DIMENSIONS

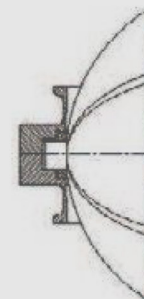
DN		D1	D2	A	B	E	F	L
mm	inch							
100	4"	150	180	11x11	16	119	36	131
150	6"	200	230	11x11	16	167	40	177
200	8"	250	280	11x11	16	217.7	40	202
250	10"	300	330	14x14	16	268.5	44	227
300	12"	350	380	17x17	19	319.3	46	254
350	14"	400	430	22x22	24		46	291
400	16"	450	500	22x22	24		50	316

TYPE OF CONNECTIONS


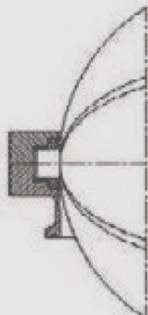
CXTW



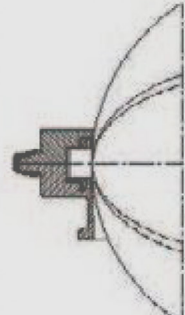
CTW



DCT



CXT

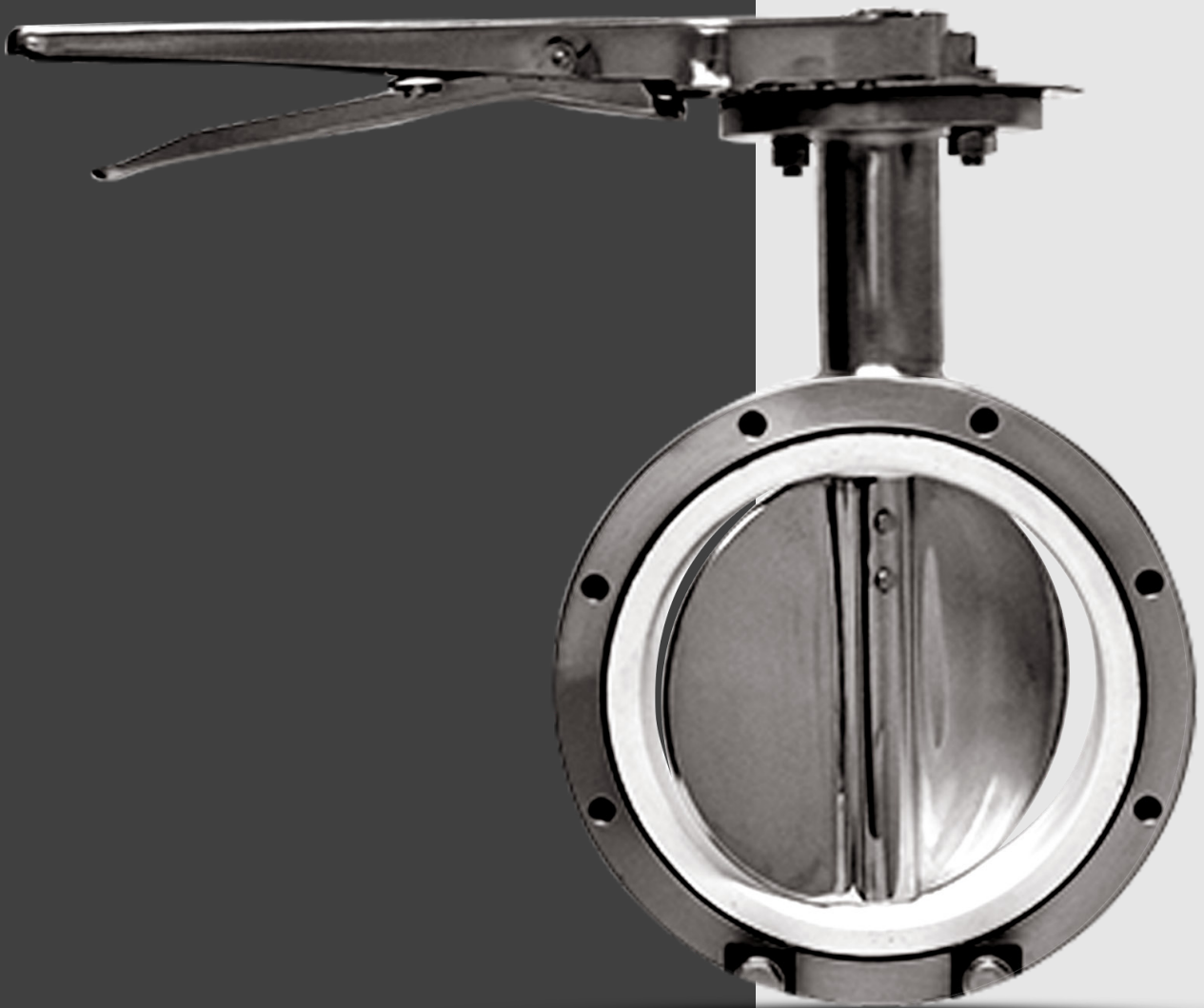


CRT



DRT

SERIES VFI BUTTERFLY VALVE



TECHNICAL DETAILS

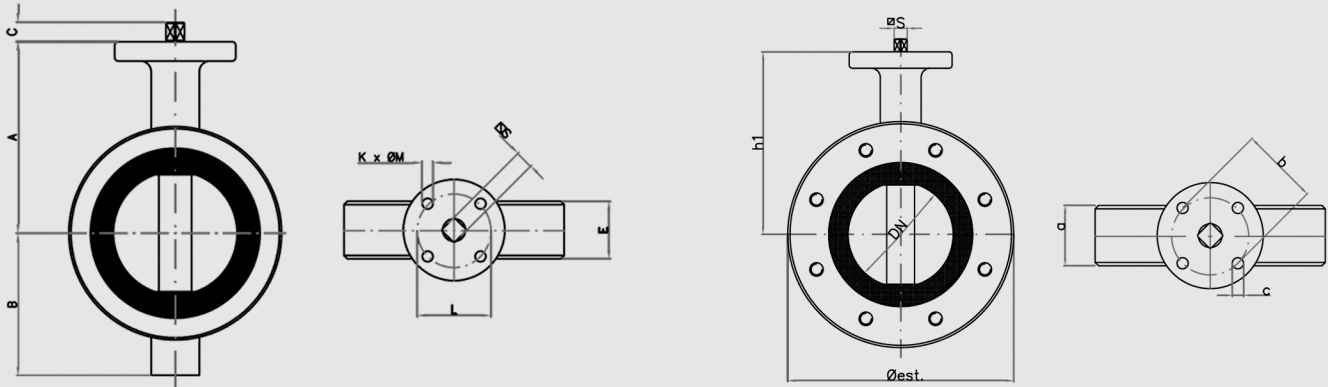
WAFER and LUG executions	EPDM seat (upon request NBR/VITON/PTFE)
Easy to install	Series DN 50 - DN 300
Materials: - AISI 316L - Carbon steel - Special materials upon request	Suitable for flanges UNI PN 10 different flange classes
	For larger diameters, pls. contact our export dept

WORKING PRESSURE

PN10	10 Kg/cm ²	142 Psi
PN16	16 Kg/cm ²	227 Psi
ANSI150	20 Kg/cm ²	284 Psi

TORQUE (NM)

DN	50	65	80	100	125	150	200	250	300
TORQUE Nm	18	27	40	50	75	90	187	260	520


DIMENSIONS

DN	Øest. PN6	Øest. PN10	Øest. PN16	Øest. PN25	Øest. ANSI150	A	B	C	H1	ØS
50	98	109	109	109	105	43	50	7	161	9x9
65	118	129	129	129	124	46	50	7	175	9x9
80	134	144	144	144	137	46	50	7	181	9x9
100	154	164	164	170	175	52	70	10	200	11x11
125	184	195	195	198	195	56	70	10	213	14x14
150	209	220	220	228	220	56	70	10	226	14x14
200	264	275	275	285	279	60	102	12	260	17x17
250	319	330	330	340	340	68	102	12	292	22x22
300	375	380	387	403	410	78	102	12	337	22x22

DN	Øest. PN6	Øest. PN10	Øest. PN16	Øest. PN25	Øest. ANSI150	A	B	C	H1	ØCxC
50	140	165	165	165	150	43	50	7	161	9x9
65	160	185	185	185	180	46	50	7	175	9x9
80	190	200	200	200	190	46	50	7	181	9x9
100	210	220	220	235	230	52	70	10	200	11x11
125	240	250	250	270	255	56	70	10	213	14x14
150	265	285	285	300	280	56	70	10	226	14x14
200	320	340	340	360	345	60	102	12	260	17x17
250	375	395	405	425	405	68	102	12	292	22x22
300	440	445	460	485	485	78	102	12	337	22x22



SERIES BVS BUTTERFLY VALVE



[Back to summary](#)

www.meivalvole.it
info@meivalvole.it

TECHNICAL DETAILS

Food grade red silicon seat	Suitable for actuator
Standard Executions welding ends	PTFE seat upon request
Flanged ends, special connection upon request	

TORQUE (NM)

DN	25	32	40	50	65	80
TORQUE Nm	8	10	10	14	18	20

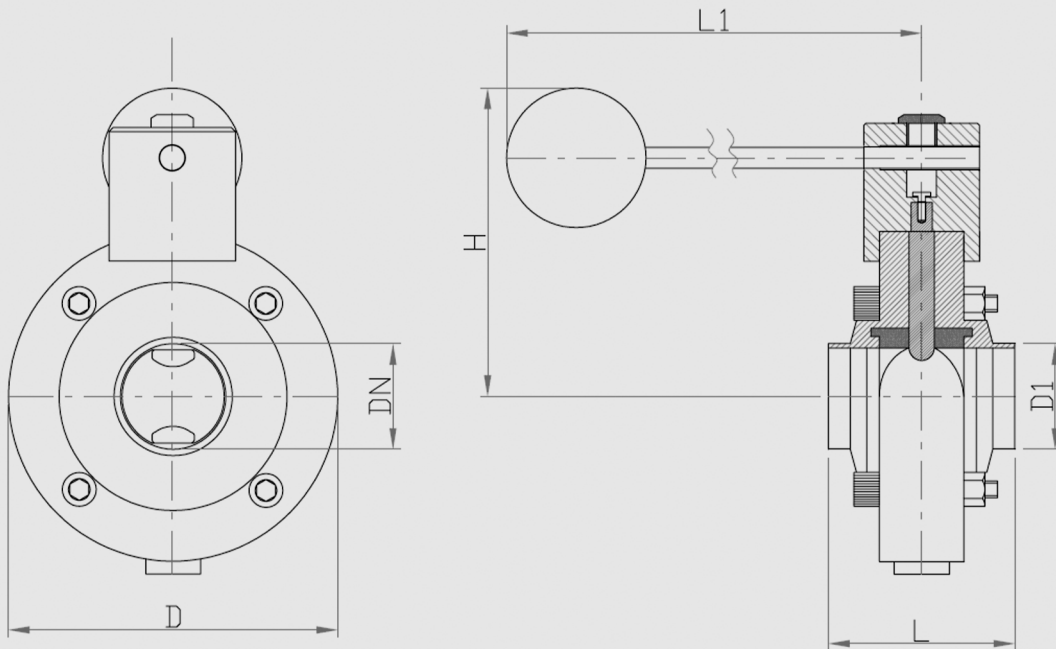
TOP FLANGE FOR ACTUATOR

DN	25	32	40	50	65	80
ISO 5211 Standard	F05	F05	F05	F05	F05	F05

MATERIALS

Description	Material	Nr
UPPER FLANGE	EN 1.4404/316L	1
LOWER FLANGE	EN 1.4404/316L	1
DISC	EN 1.4404/316L	1
SEAT	FDA RED SILICON 177.2600	1

PTFE seat upon request



DIMENSIONS

DN		D1	D	L	L1	H
mm	inch					
25	1"	28	78	50	126	86
32	1" ¹ / ₄	34	86	50	126	90
40	1" ¹ / ₂	40	90	50	126	92
50	2"	52	106	52	133	104
65	2" ¹ / ₂	70	124	56	144	113
80	3"	85	139	60	160	123,5



SERIES CH BUTTERFLY VALVE



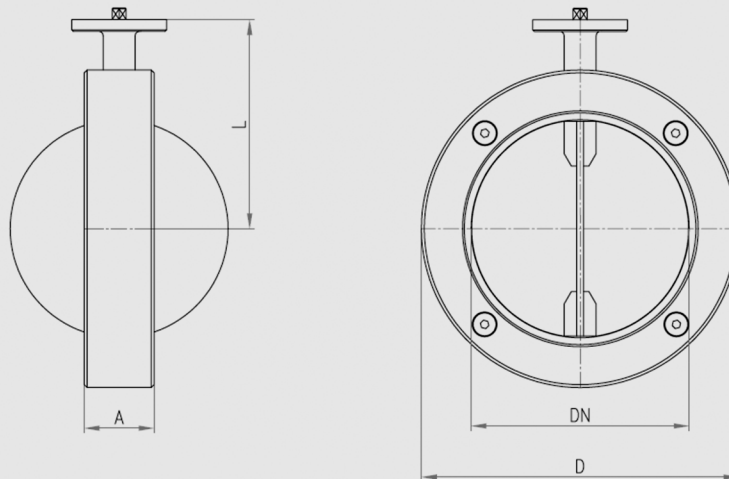
[Back to summary](#)

www.meivalvole.it
info@meivalvole.it

TECHNICAL DETAILS

Wafer design	Standard series DN 100 - DN 500
Easy to install	Suitable for flanges UNI PN 10
Materials: AISI 316L	Machine finish
Transparent silicon seat, EPDM seat, or PTFE shell with internal silicon or EPDM seat with internal silicon seat	Favourable quality/price

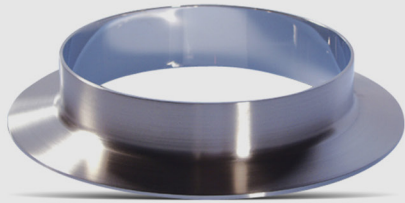
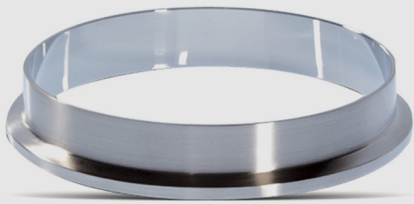
Components of Silicon and EPDM valves are not interchangeable with those in PTFE


DIMENSIONS

DN		A	L	D PN10
mm	inch			
100	4"	36	131	164
150	6"	40	177	220
200	8"	40	202	275
250	10"	44	227	330
300	12"	46	254	380
350	14"	46	291	440
400	16"	50	316	490
500	20"	64	370	595

ACCESSORIES

Available upon customers' request, valves' accessories.

**COLLAR CW****COLLAR TC****CLAMP SS304**



SERIES DV0-2 DV4 BUTTERFLY VALVE



[Back to summary](#)

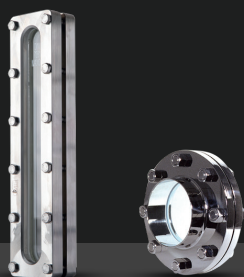
www.meivalvole.it
info@meivalvole.it

TECHNICAL DETAILS

Metal/metal butterfly valves for fumes and air	Materials zinc plated carbon steel, SS316
Tightness class III according to ANSI B 6.104	Max temp. DV0-2 200°C, max temp. DV4 400°C
Low pressure drops	Shaft seat: P.T.F.E. o graphite plate
Maintenance operations are limited to the traditional packing of the stem with an adjustable stubbing box	Suitable for flanges EN 1092-1:2001 PN 6, PN 10, PN 16, ANSI 150 RF
Standard series DN 50 - DN 300	Top flange according to ISO 5211

TORQUE (NM)

SERIES	PRESSURE (BAR)	1	2	3
DN 50		4	5	10
DN 65		4	5	10
DN 80		4	5	10
DN 100		4	5	10
DN 125		5	8	16
DN 150		7	11	23
DN 200		14	25	49
DN 250		29	52	105
DN 300		39	72	144
DN 350		63	118	236
DN 400		79	151	302
DN 450		123	236	472
DN 500		146	282	564
DN 600		268	525	1049
DN 700		400	787	1574
DN 800		516	1017	2033
DN 900		632	1246	2492
DN 1000		632	2197	2394
DN 1200		1108	2853	4394
DN 1400		2227	4427	8853

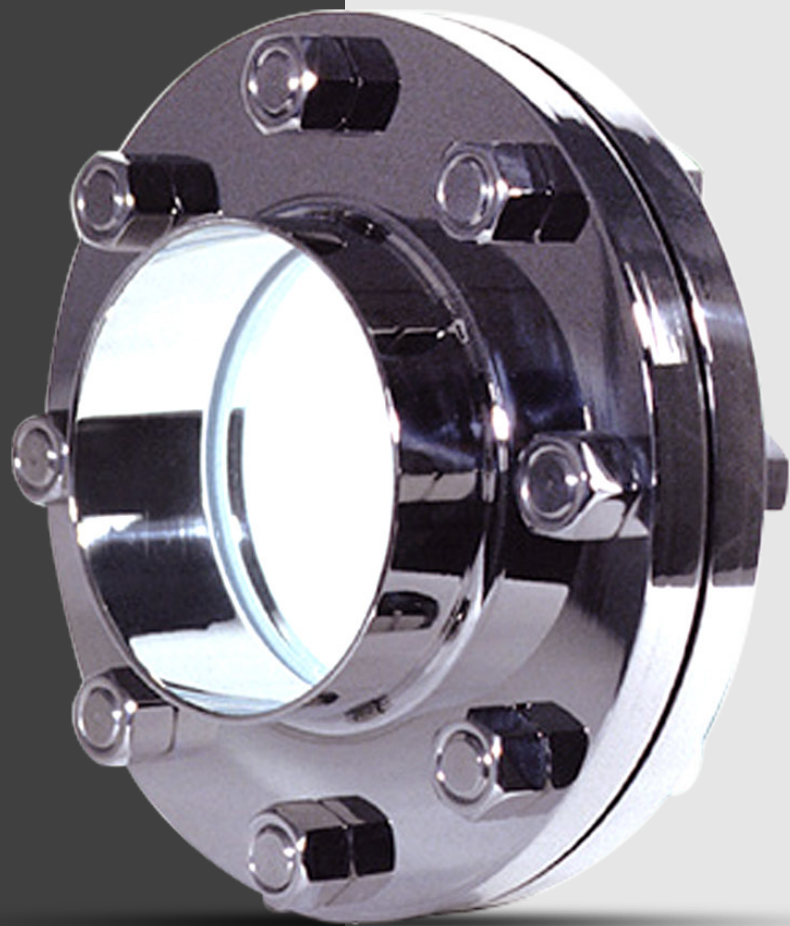


03

SIGHT GLASSES



SERIES W SIGHT GLASS

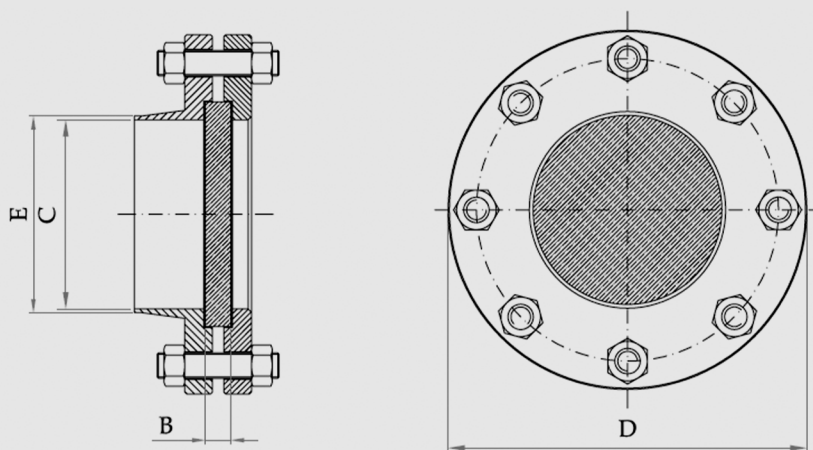


[Back to summary](#)

www.meivalvole.it
info@meivalvole.it

TECHNICAL DETAILS

Mount solder	Body in AISI 316L , seat in P.T.F.E.
Standard series from DN 50 up to DN 200	Completely demountable
TOUGHENED SODALIME disc, BOROSILICATE upon request	Tested glasses upon request
Circular sight glasses suitable for tanks and pipelines	T° Max : soda-lime 130°C - borosilicate 250°C


DIMENSIONS

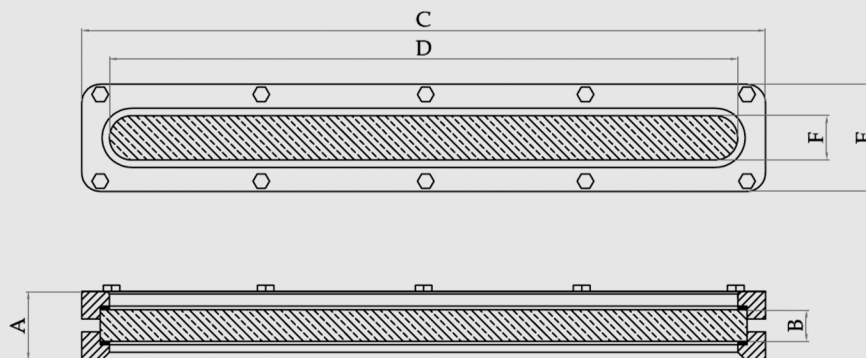
DN		B	C	D	E	n fori
mm	inch					
50	2"	12	58	165	61.5	4
65	2" _{1/2}	15	77	185	77.5	4
80	3"	15	90	200	90.5	4
100	4"	15	109	220	116	8
125	5"	19	134	250	141.5	8
150	6"	25	161	285	170.5	8
200	8"	25	221	340	221.5	8

SERIES R SIGHT GLASS



TECHNICAL DETAILS

Mount solder	Body in AISI 316L , seat in P.T.F.E.
Standard series from D 85 UP TO D 400	Completely demountable
TOUGHENED SODALIME disc, BOROSILICATE upon request	Tested glasses in conformity to I.S.P.E.S.L. upon request
Rectangular sight glasses suitable for tanks and pipelines	T° Max : soda-lime 130°C - borosilicate 250°C


DIMENSIONS

D	A	B	C	E	F
85	31	17	115	60	24
130	31	17	160	60	24
180	31	17	210	60	24
240	31	17	270	60	24
310	31	17	340	60	24
360	31	17	390	60	24
400	31	17	430	60	24



04

BALL VALVES

[Back to summary](#)



SERIES TV TRUNNION BALL



[Back to summary](#)

www.meivalvole.it
info@meivalvole.it

The Ball Valves MEI are designed and built to shut-off liquid or gaseous fluids. Usually used materials for pressure containing parts consist of forged carbon steel, low-alloy steel, austenitic stainless steel etc.; if this material is not suitable for the fluid, Mei Valvole Industriali can provide different materials according to the Customer's requirements.

TECHNICAL DETAILS

The trunnion hinged ball side entry design that we use, gives more facility to handle, allowing to reduce the torque and the worn out of seats.	Anti-static (steel spring or ball) in according to API6D, guarantees electrical continuity between the parts (ball-stem or stem-gland flange).
Is available soft and metal seated valves.	Stem extension or Gland Flange extension on request.
Double o-rings to improve sealing.	Operation available with lever, gear or available with Actuator pneumatic or electric.

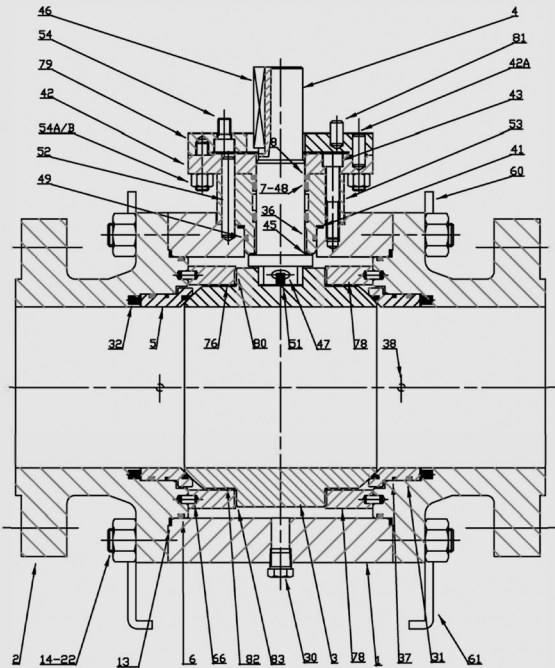
Our Valves are available Reduce Bore or Full Bore, from 1"1/2 to 12"x10".

The range Class is form ANSI 150 to ANSI 600, with different ends depending by the pressure.

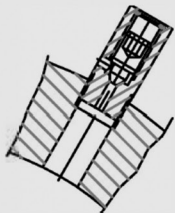
OTHER CONNECTION UPON CUSTOMERS' REQUEST.

Rating Size	150	300	600	900	1500
1" ^{1/2}	RF	RF	RF	RTJ	RTJ
2"x1" ^{1/2}	RF	RF	RF	RTJ	RTJ
2"	RF	RF	RF	RTJ	RTJ
3"x2"	RF	RF	RF	RTJ	RTJ
3"	RF	RF	RF	RTJ	RTJ
4"x3"	RF	RF	RF	RTJ	RTJ
4"	RF	RF	RF	RTJ	RTJ
6"x4"	RF	RF	RF	RTJ	RTJ
6"	RF	RF	RF	RF/RTJ	/
8"x6"	RF	RF	RF	RF/RTJ	/

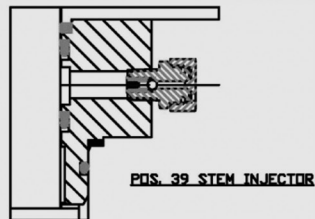
POSSIBILITY TO REALIZE THE VALVES UPON CUSTOMERS' REQUEST. FOR THE DIMENSIONS PLEASE CONTACT OUR OFFICES.

TECHNICAL DRAWINGS


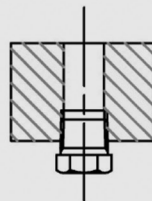
PDS.	PART NAME
1	BODY
2	BODY END
3	BALL
4	STEM
E 5	SEAT RING
E 6	BODY O-RING
E 7	STEM O-RING
E 8	FIRE SAFE GASKET
E 13	FIRE SAFE GASKET
14	STUD BOLT
22	STUD BOLT NUTS
30	DRAIN PLUG
E 31	SEAT O-RING
32	SPRING
36	STEM BEARING
E 37	FIRE SAFE GASKET
# 38	SEAT INJECTOR
# 39	STEM INJECTOR
# 39C	SLEEVE
E 41	FIRE SAFE GASKET
42	ADAPTER PLATE
42A	PINS
43	CAP SCREW
45	THRUST BEARING
46	KEY
47	VENT PLUG
E 48	BACK-UP
E 49	BONNET O-RING
51	ANTISTATIC DEVICE
52	PINS
53	BONNET
54	CAP SCREW
54A	STUD BOLT
54B	STUD BOLT NUTS
60	LUGS
61	SUPPORT
66	PINS
76	UPPER THRUST BEARING
78	SPACER
79	SUPPORT PLATE
80	UPPER BEARING
81	PINS
82	LOWER THRUST BEARING
83	LOWER BEARING
# 85	CHECK VALVE
ERECOMMENDED SPARE PARTS	
# ON REGUIEST	



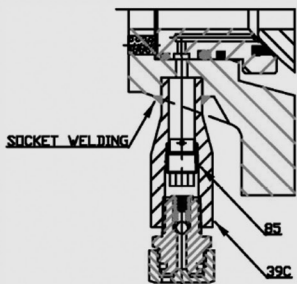
P [S 47_YENJ_PLUG.



PDS. 39 STEM INJECTOR



P [S.30_DRAIN_PLUG.



PDS. 38 SEAT INJECTOR