



SaniForce™ Drum Pump

Sanitary Centrifugal & Progressive Cavity Electric Pumps



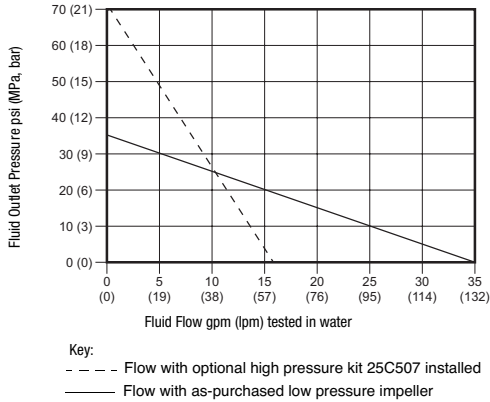
Reduce maintenance and sanitization time at your facility with the SaniForce Drum Pump, designed for easy cleaning with quick tri-clamp connections, minimal moving parts and easy transferability.

- Powered by variable speed electric motor
- Certified to ATEX & FDA standards
- Simple design to facilitate easy cleaning and reduce maintenance and downtime
- Flow rates up to 35 GPM (132 LPM) with a smooth output of material
- Easily transferable from container to container and adaptable to drums, totes and kettles

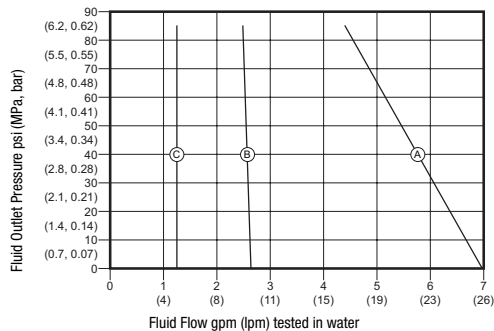
PROVEN QUALITY. LEADING TECHNOLOGY.

Performance Charts

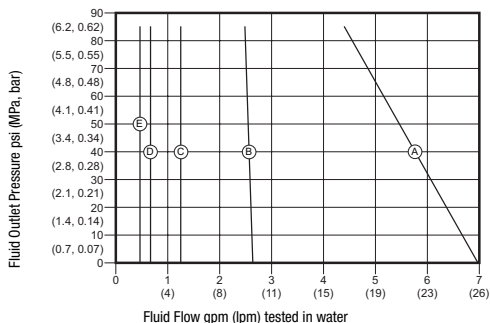
Centrifugal Pump



Progressive Cavity Pump with 1HP Motor



Progressive Cavity Pump with 3-Phase Washdown Motor



Improve plant processes with Graco's hygienically designed SaniForce drum pumps!

Reduce facility downtime with the light weight, easy to use and portable SaniForce electric drum pumps. SaniForce drum pumps offer an easy to clean, hygienic design perfect for all of your food, beverage and personal care product transfer needs.

- **Easy Cleaning and Product Changeover** - With this simple knock down design, cleaning between drums or product changeovers has never been easier!
- **Operational Flexibility Throughout Your Facility** - With the electric pump operation, you simply plug it in to be ready for transfer in minutes!
- **Easy Mobility** - the light weight design allows all operators to move pumps between drums to increase facility output.

Common Applications

Edible Oils



Distilleries



Juices, Concentrates, and Beverages



Condiments and Dressings

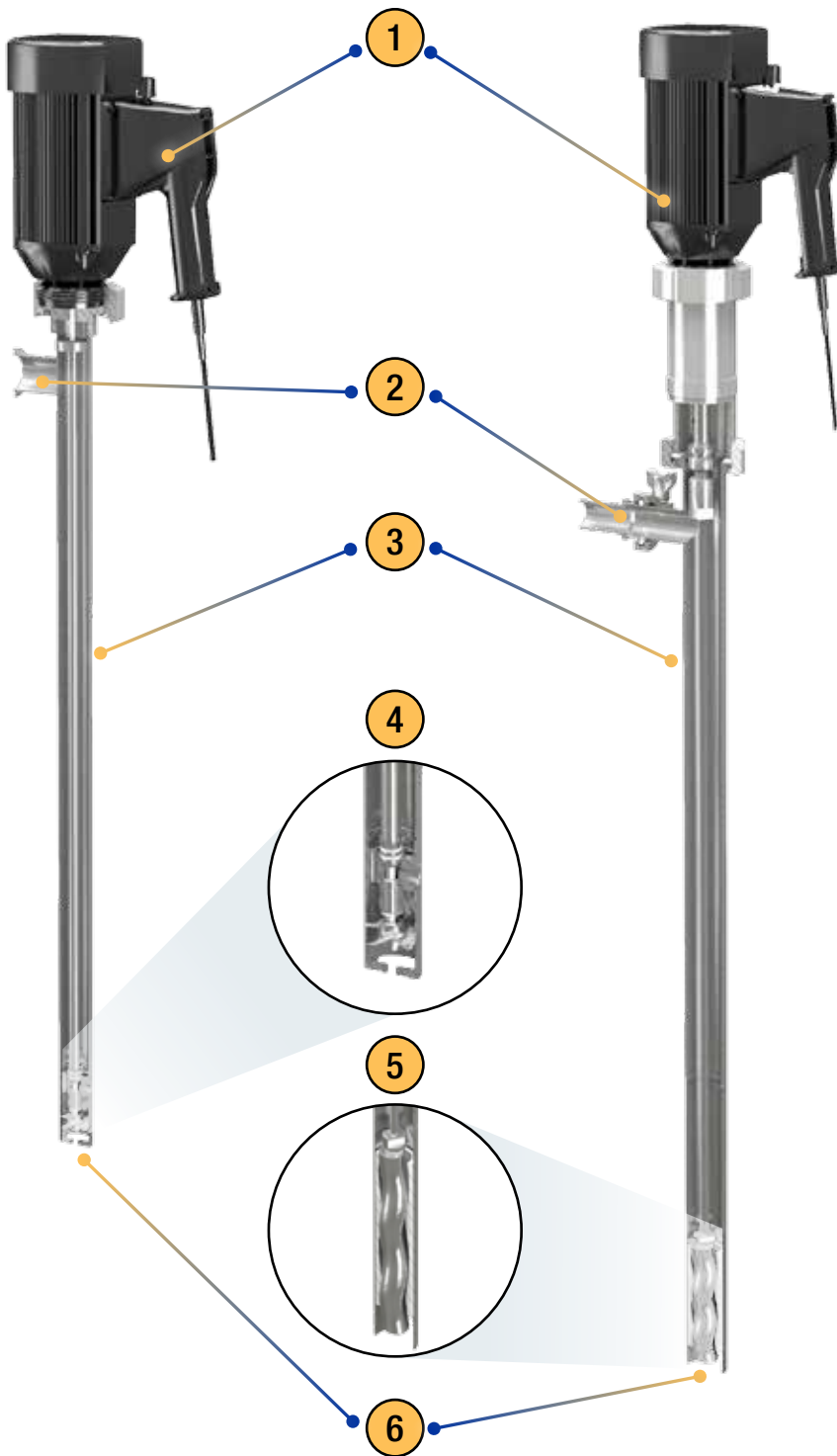


Personal Care



Pharmaceuticals





Washdown motor available on progressive cavity models

- 1 Electric Motor Options**
 - 120, 240 or 480V power options
 - Single or Three Phase
 - Hand held or hard wired
 - ATEX options

- 2 Sanitary Fluid Connection**
 - 1.5" Tri-Clamp Connection

- 3 FDA Pump Housing**
 - 316 SST for compatibility

- 4 Centrifugal Pump**
 - Low viscosity transfer
 - 316 stainless steel impeller improves wear resistance
 - High volume

- 5 Progressive Cavity Pump**
 - All PTFE stator for increased compatibility
 - Low to medium viscosity transfer
 - High pressure

- 6 Multiple Pump Sizes**
 - 39" or 47" drum immersion lengths accommodate drum or tote sized containers

For more information on Graco's drum pumps, visit
www.graco.com/saniforcedrumpump

Technical Specifications

Maximum Fluid Working Pressure	
Centrifugal	43 psi (0.4 MPa, 3 bar)
Progressive Cavity	87 psi (0.6 MPa, 6 bar)
Maximum Operating Temperature	
Centrifugal	175°F (80°C)
Progressive Cavity	175°F (80°C)
Fluid Outlet	1.5 in. Tri-Clamp®
Wetted Parts (all pumps)	316 Stainless Steel, Buna-N, PTFE
Progressive cavity pumps also contain:	Silicone Carbide, Viton®
Maximum Viscosity	
25C411 - 25C414	1,000 cps (mPa-s)
25C416-25C419	25,000 cps (mPa-s)
25C420, 25C421	100,000 cps (mPa-s)
Duty Cycle	Intermittent when operating at maximum viscosity; continuous for 25C422, 25C782 pump
Maximum Flow Rate	
Centrifugal	35 gpm (132 lpm)
Progressive Cavity	7 gpm (26 lpm)
Maximum Solids Size	
Centrifugal	Not recommended for fluids which contain solids
Progressive Cavity	0.25 in. (6 mm)
Sound Pressure (tested 3.28 feet (1 m) from equipment)	84 dBA



Accessories



Hose Barb 1.5 " (38 mm)
Part Number 17P480



Tri-clamp®
Part Number 118598



Gasket
Part Number 16D169



High Pressure Impeller Kit
Part Number 25C507

* Included in kit 25C502

Pump Models

Part number	Pump Type	Length	Input Power	Motor	Plug Style	Bag Liner Protection
25C411	Centrifugal	39 Inches	115V	1.0 HP (.75 kW), Variable Speed	North American	Not Required
25C412	Centrifugal	39 Inches	230V	1.0 HP (.75 kW), Variable Speed	European	Not Required
25C413	Centrifugal	47 Inches	115V	1.0 HP (.75 kW), Variable Speed	North American	Not Required
25C414	Centrifugal	47 Inches	230V	1.0 HP (.75 kW), Variable Speed	European	Not Required
25C420	Progressive Cavity	39 Inches	115V	1.0 HP (.75 kW), Variable Speed	North American	No
25C421	Progressive Cavity	39 Inches	230V	1.0 HP (.75 kW), Variable Speed	European	No
25C422	Progressive Cavity	39 Inches	3-Phase Power	1.5 HP (1.0 kW) 190/380 or 230/460 VAC, 3 phase	Not Applicable	No
25C780	Progressive Cavity	39 Inches	115V	1.0 HP (.75 kW), Variable Speed	North American	Yes
25C781	Progressive Cavity	39 Inches	230V	1.0 HP (.75 kW), Variable Speed	European	Yes
25C782	Progressive Cavity	39 Inches	3-Phase Power	1.5 HP (1.0 kW) 190/380 or 230/460 VAC, 3 phase	Not Applicable	Yes

All written and visual data contained in this document are based on the latest product information available at the time of publication. Graco reserves the right to make changes at any time without notice.

Call today for product information or to request a demonstration.
877.84GRACO (1-877-844-7226) or visit us at www.graco.com.

©2017 Graco Inc. Form No. 3H1116 Rev. A 5/17. Electronic Only.
All other brand names or marks are used for identification purposes and are trademarks of their respective owners.

